

# T/LL13X Liquid Level Sensor



The T/LL 130 series is designed for use in water, coolant or fuel/oil tanks and provides a factory set variable resistive or voltage output suitable for driving industry standard fuel gauges or connecting into PLCs.

This device has no moving parts and can be mounted at any angle above horizontal as long as it covers the whole depth of the tank. The unit cannot be inverted.

## SPECIFICATION

**Liquid Types:** Liquids are compatible with the construction materials: typically, diesel, kerosene, petrol, and water.

**Dimensions:**

**Probe Length:** Min 200mm, Max 1000mm mobile / 2000mm  
**Threads:** static ½" BSPT, 1" BSPT, ½" NPT, 1" NPT  
**Optional Flange:** Rochester Sensors F/T1 SAE 5 Hole

**Performance:**

**Accuracy:** ±2% of depth @ 20 °C

**Materials**

**Enclosure:** 30% glass filled nylon

**Internal Electrode:** PTFE

**Sensor Tube:** 316 stainless steel

**Environmental Ratings:**

**Sealing:** IP67 with mating connector

**Max Pressure:** 1 bar

**Operating Temp:** -20 °C to +85 °C

**Electrical**

**Supply Voltage: Supply** 9-34 VDC

**Current: Supply** 30 mA

**Protection: Signal Output:** Over-voltage 80 VDC for 2 minutes. Reverse polarity. Resistance range; 2-250 Ω or 250-2 Ω, 2 Ω steps, 0.4 W max. Voltage source range; 0-5 V or 5-0 V, 20 mV steps, 10 mA max.

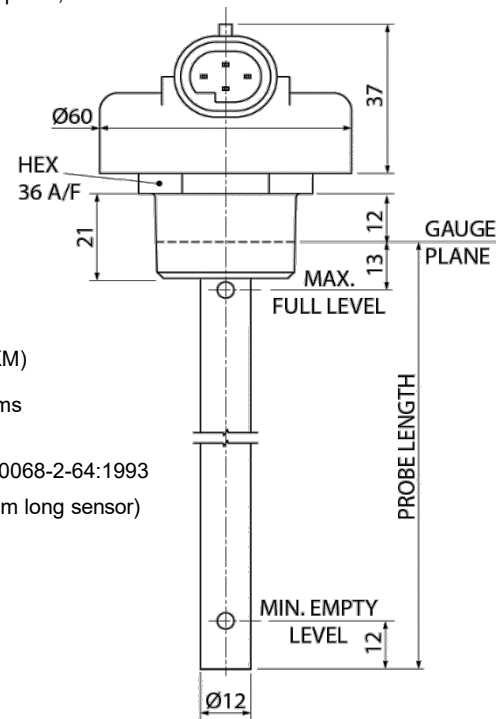
**Alarm Output:** Switch to ground. Max 100 mA. High or low level. Default setting is 12.5% of full level. Minimum 30 mm from sensor end.

**Connections:** 4 Way Delphi Packard Metri-Pack 150 Series Rochester Sensors C/K1 (Delphi Packard Metri-Pack 150). To fit 0.8-1.0 mm<sup>2</sup> conductor, Ø1.6-2.15 mm sleeve.

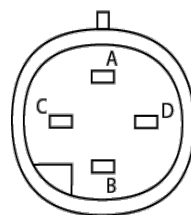
**Mating Connector:**

N.B. Warranty is void if the label is removed

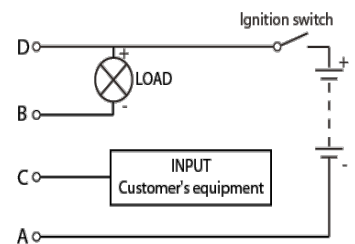
**Internal Spacers:** PTFE  
**End Plug:** PTFE  
**Wetted Seals:** Viton (FKM)  
**Shock:** 50g. 6.3ms  
**Vibration:** 6.3Gms  
 BS EN 60068-2-64:1993  
**Weight:** 300 g (1 m long sensor)



Model	Output	User Calibration
T/LL130	Resistive	No
T/LL131	Voltage	No



**Pin Connection**  
 D +12 V or +24 V  
 B Level Alarm  
 C Output  
 A 0V/Ground



**RochesterSensors.com**

Since the suitability of these products depends upon a wide range of factors not in our control, Rochester Sensors UK Limited expects and understands that you will conduct the testing and evaluation necessary to determine that these products are suitable for your application. Whilst every effort is made to ensure the above details are correct at the time of printing, Rochester Sensors UK Limited reserves the right to make material changes, and or technical changes without notification.