



## SLPK

Linear Potentiometer

10 - 200 mm

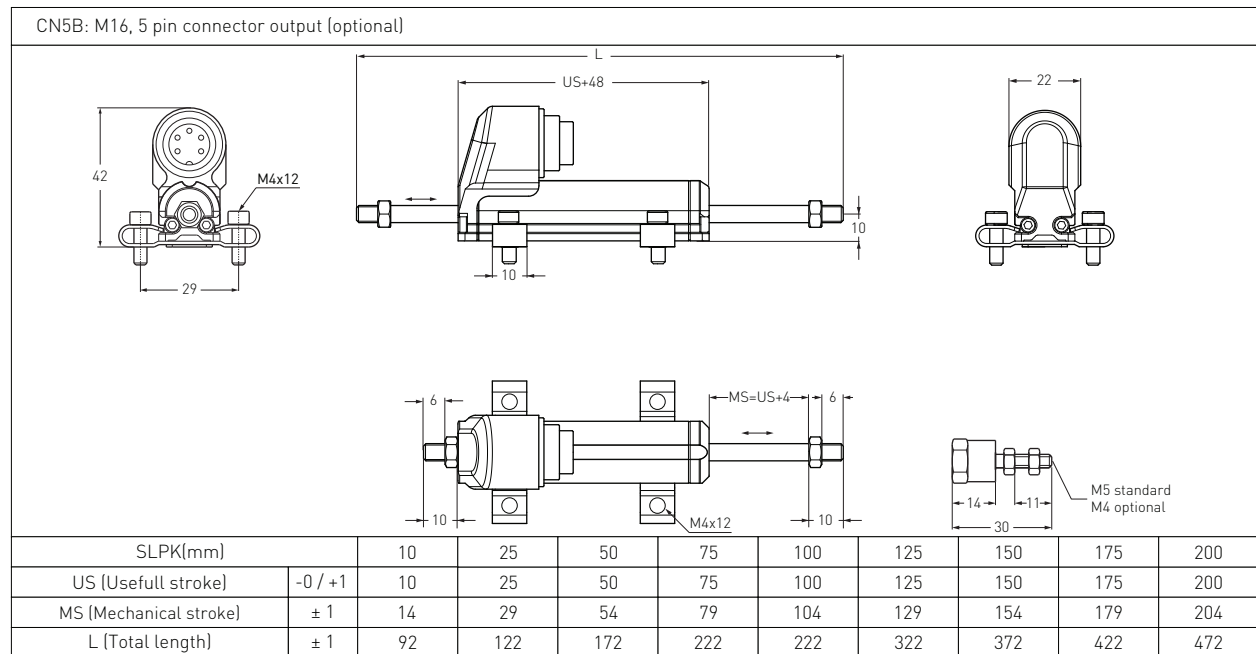
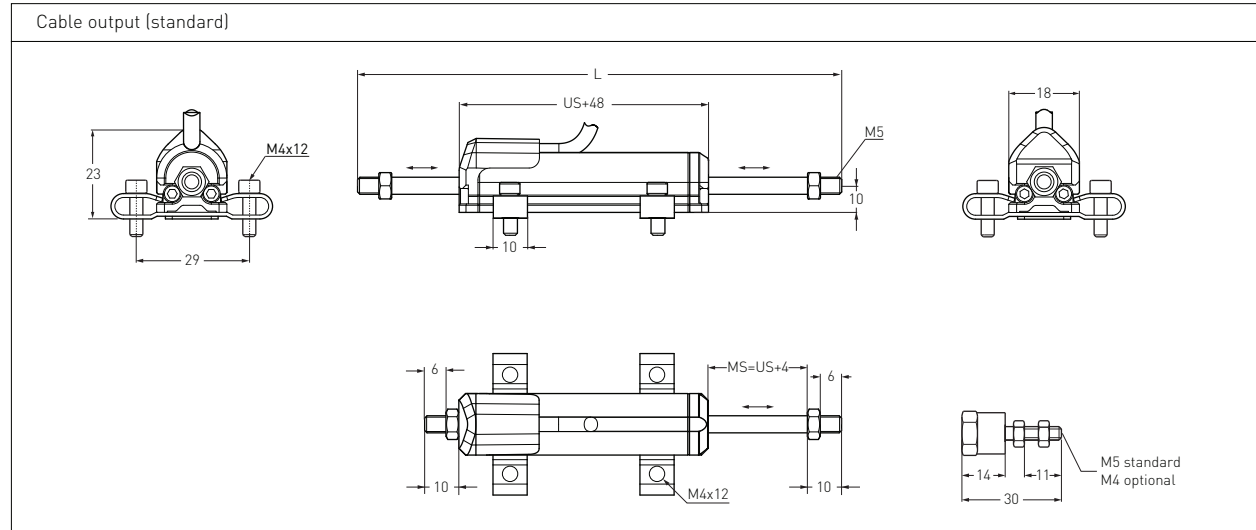
Slim Body Series,

Rod On The Both Sides

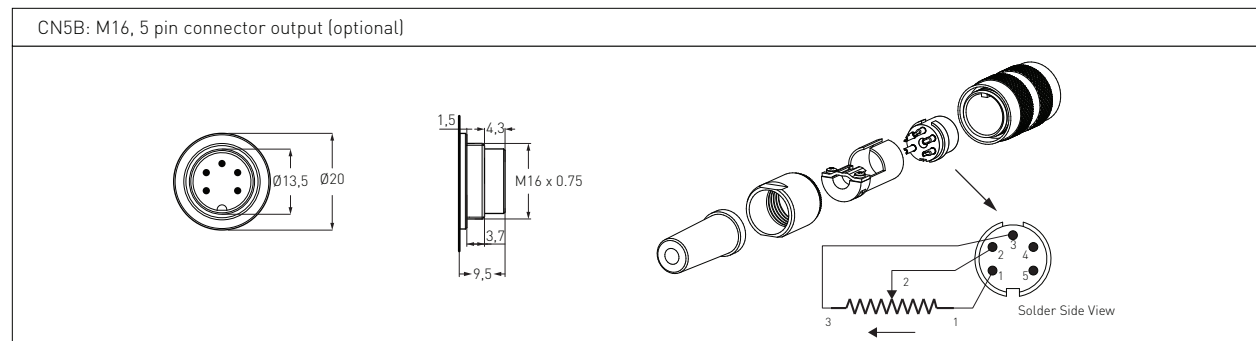
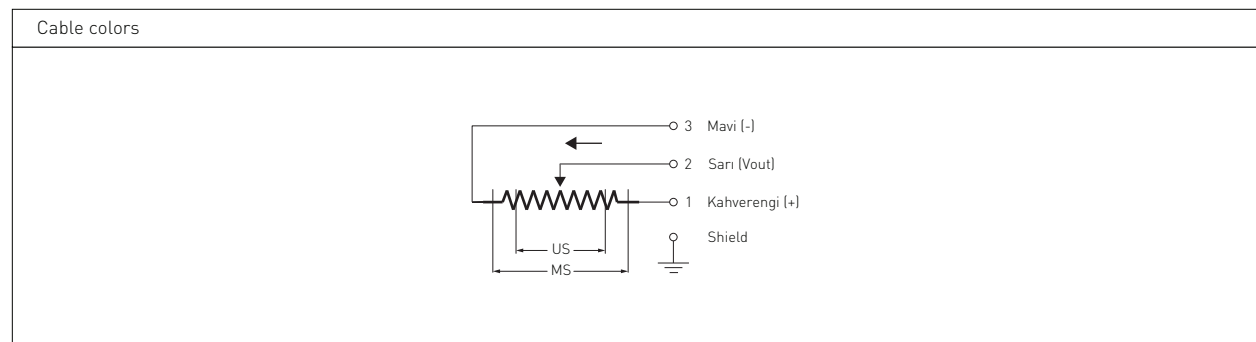
### 1. TECHNICAL SPECIFICATIONS

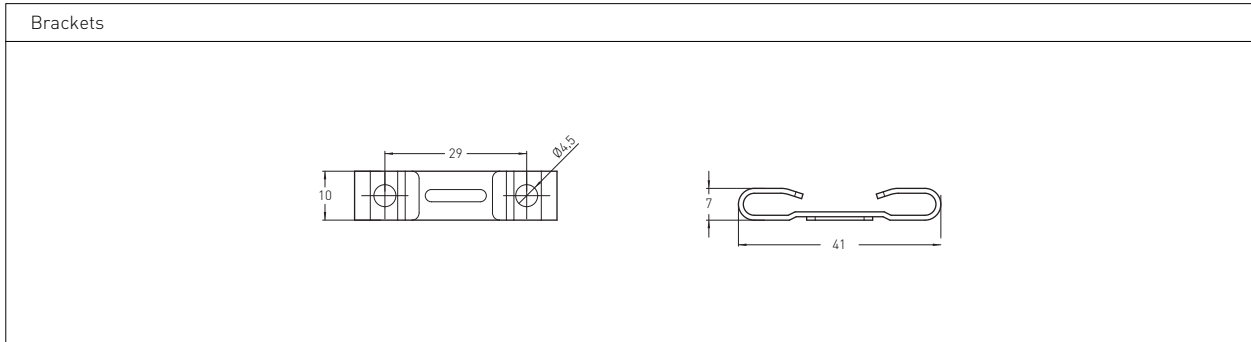
Measurement stroke	10 - 200 mm
Repeatability	< 0.01 mm
Resolution	Infinite
Permissible applied voltage	28 VDC max.
Electrical connections	Cable output (standard) CN5B: M16, 5 pin connector output (optional)
Displacement speed	< 5 m/s
Mechanical life	100 million movement
Protection level	IP 40
Resistance	2 kOhm: 10 - 50 mm 5 kOhm: 75- 200 mm
Resistance tolerance	± %20
Load resistance	100 kOhm min.
Recommended wiper current	<1 µA
Linearity	A: ±%0.5 (≤75 mm) B: ±%0.2 (100 - 125 mm) C: ±%0.1 (130 - 200 mm)
Case dimensions	Ø18 mm
Case material	Anodized aluminium
Caps material	ABS Plastic
Rod material	Stainless steel
Rod diameter	Ø5 mm
Mechanical fixing	Variable brackets
Operating temperature	-20°C ... +80°C
Storage temperature	-30°C ... +90°C

## 2.MECHANICAL SPECIFICATIONS

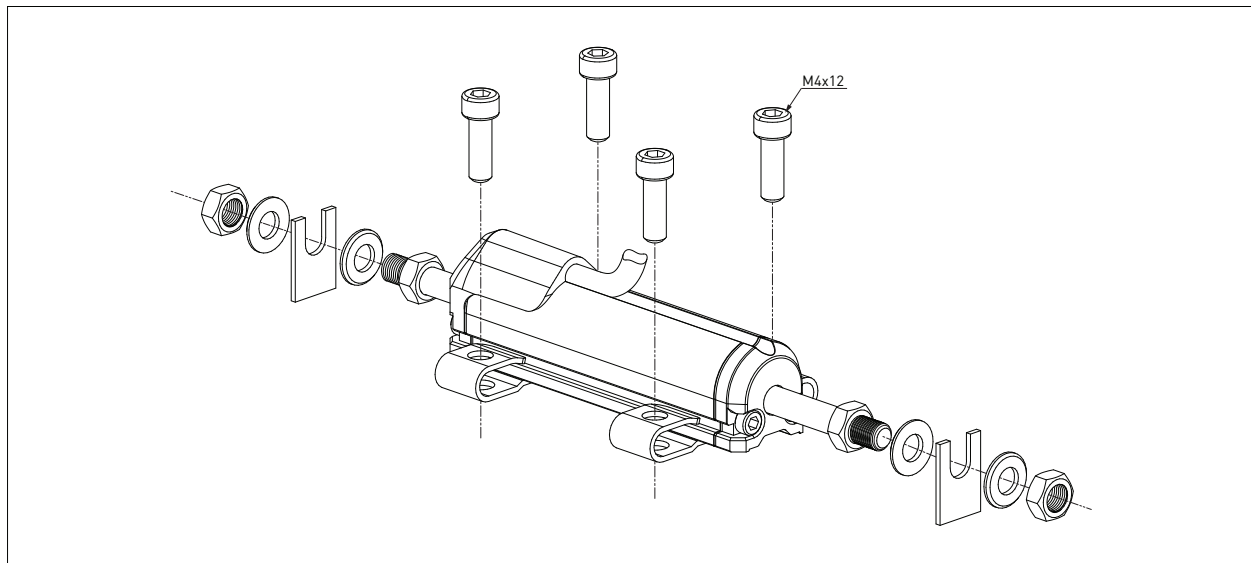


## 3.CABLE, CONNECTOR VE BRACKET





#### 4.ASSEMBLY



#### 5.ORDERING PROCEDURE

<b>1</b>	<b>Model</b>
	SLPK: Linear Potentiometer Slim Body Series, Rod On The Both Sides
<b>2</b>	<b>Measurement stroke</b>
	10 - 200 mm
<b>3</b>	<b>Linearity</b>
	A: $\pm 0.5\%$ ( $\leq 75$ mm) B: $\pm 0.2\%$ (100 - 125 mm) C: $\pm 0.1\%$ (130 - 200 mm)
<b>4</b>	<b>Resistance (kOhm)</b>
	2K: 2 kOhm (10 - 50 mm) 5K: 5 kOhm (75 - 200 mm)
<b>5</b>	<b>Connector / Cable</b>
	1M: 1 meter cable (standard) 1M5: 1,5 meter cable (optional) 2M: 2 meter cable (optional) CN5B: M16, 5 pin connector (optional)

For example:

SLPK	150	C	5K	1M
<b>1</b>	<b>2</b>	<b>3</b>	<b>4</b>	<b>5</b>

**TÜRKİYE**  
Headquarter, R&D, Production

**OPKON Optik Elektronik Kontrol Sanayi ve Ticaret A.Ş.**  
Terazidere Mah. 29 Ekim Cad. No:34 Bayrampaşa / İstanbul / TÜRKİYE  
Phone : +90 (212) 501 48 63  
Fax : +90 (212) 501 48 83  
Web : www.opkon.com.tr  
E-mail : export@opkon.com.tr

**GERMANY**  
Subsidiary

**SENSORMARKET GmbH**  
Vohwinkeler Strasse 148, 42329 Wuppertal / GERMANY  
Phone : +49 20269867617  
Fax : +49 20269868030  
Web : www.sensormarket.eu  
E-mail : sales@sensormarket.eu

**CHINA**  
Subsidiary

**DANZI Sense Technology**  
(Shanghai) Co., LTD. Room 123 - B, F/1, No. 1000 Ziyue Road, Minhang District, 200240 Shanghai / CHINA  
Hotline : 400 8050 889  
Phone : 021 - 64091719  
Fax : 021 - 64091713  
Web : www.opkonchina.com  
E-mail : marketing@opkonchina.com

**opkon.com.tr**

Please note: The specifications and information in this datasheet may not cover all special demands arising from specific applications. Therefore, they do not constitute a comprehensive description of the product properties. OPKON accepts no responsibility for damages resulting from the improper application of our products. The user is responsible for ensuring that the products used are suitable for their own application.