

### ROTARY POTENTIOMETER

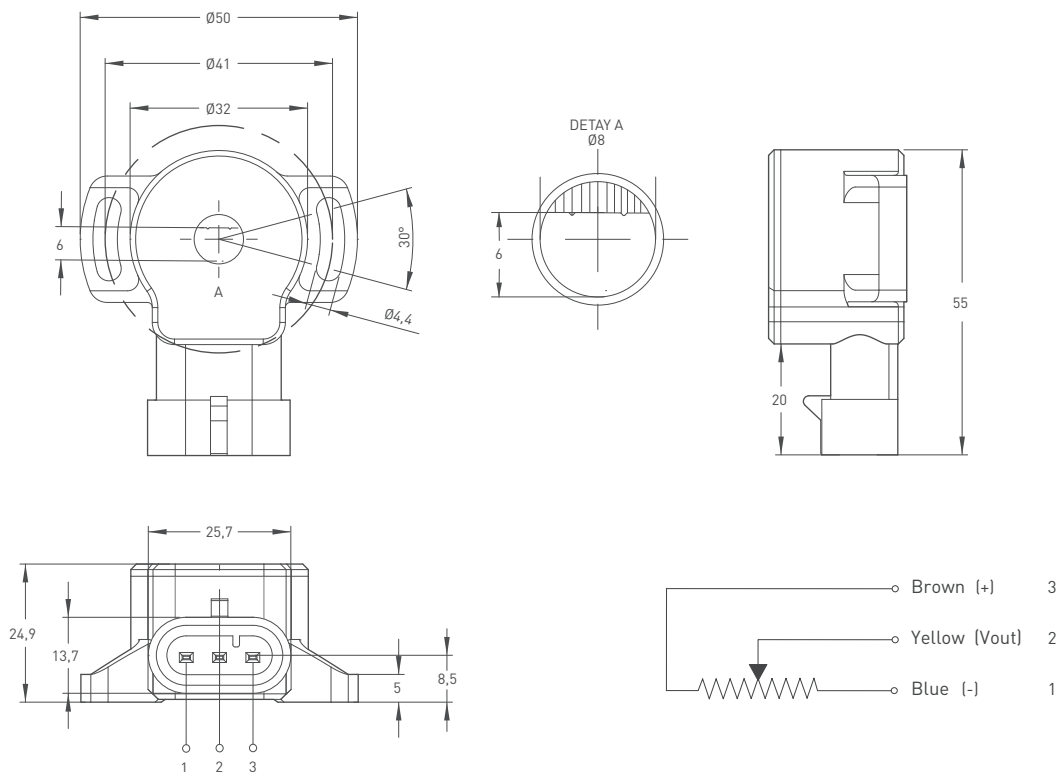
- Measuring angle  $345^\circ \pm 2^\circ$
- 50 million movement
- Double bearings
- Independent linearity %0,5
- 2K or 5K



#### Technical Specifications

Measurement angle	$345^\circ \pm 2^\circ$
Linearity	%0,5
Resolution	Infinite
Resistance	2 k0hm or 5 k0hm
Resistance tolerance	$\pm \%20$
Load resistance	100 k0hm min.
Recommended cursor current	$<1 \mu\text{A}$
Power supply	24 VDC max.
Electrical connetions	Connector output
Mechanical life	50 million movement
Case dimensions	$\varnothing 32 \text{ mm}$
Case material	Plastic
Protection level	IP 54
Operating temperature	$-20^\circ\text{C} \dots +80^\circ\text{C}$
Stroge temperature	$-30^\circ\text{C} \dots +90^\circ\text{C}$

#### Mechanical Specifications



#### Ordering Prosedure

Model	Case diameter	Rod diameter	Linearity (%)	Resistance
RPW	32	H	A	5K
RPW	32	H: 8 mm	A: %0,5	2K : 5 k0hm 5K : 5 k0hm