

# PRI 58RK

## Optic Rotary Incremental Encoder Tacho Flange



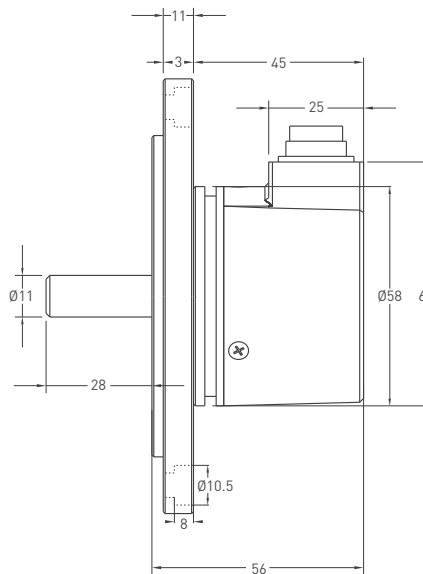
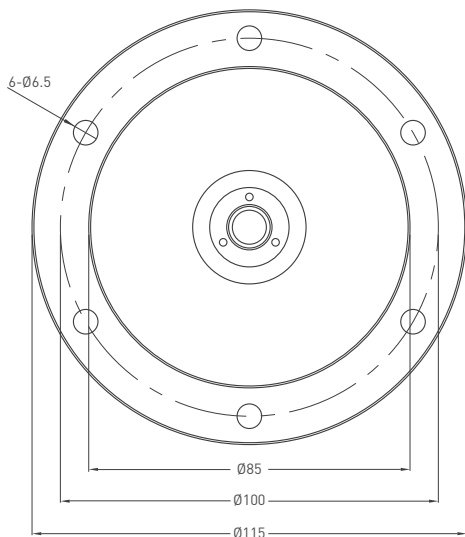
INCREMENTAL

- 58 mm case diameter
- 100 - 200 - 360 - 400 - 500 - 600 - 720 - 1000 - 1024  
1800 - 2000 - 2048 - 2500 ppr.
- Push-Pull, TTL, Linedriver, HLD output
- Rod diameter 11 mm
- 3500 rpm max.



Technical Specifications	
Resolution	100 - 2500 ppr.
Output channels	A, B, Z or A,Ā, B,Ā, Z,Ż
Output type	TTL, Linedriver, Push-Pull, HLD
Power supply	5 VDC, 5-24 VDC or 8-24 VDC
Power consumption (without load)	<40 mA (24 VDC)
Cable	2,5 meter (standard) 5 wire + shield (Push-Pull) 2,5 meter (standard) 8 wire + shield (Linedriver)
Max. permissible shaft loading: Radial	60 N
:Axial	40 N
Displacement speed	3500 rpm
Rod diameter	Ø11 mm
Rod material	Stainless steel
Case dimensions	Ø58 mm
Case material	Aluminium and painted steel
Protection level	IP 54
Operating temperature	-20°C ... +80°C
Storage temperature	-30°C ... +90°C

### Mechanical Specifications



#### Push-Pull Cable Output

- +V : Brown
- 0V : White
- GND : Shield
- Ch A : Yellow
- Ch B : Green
- Ch Z : Gray

#### TTL - HLD - Linedriver Cable Output

- +V : Brown
- 0V : White
- GND : Shield
- Ch A : Yellow
- Ch B : Green
- Ch Z : Gray
- Ch A inv: Blue
- Ch B inv: Red
- Ch Z inv: Pink

### Ordering Procedure

Model	Case dimensions	Case type	Rod diameter	Output type	Resolution	Output signal	Power supply	Connector / Cable	Cable output
PRI	58	A	11	HLD	1024	Z	V2	2M5	R
PRI	58: 58 mm	RK : Tacho flange	R11 : 11 mm	LTP : Push-Pull LD : Linedriver HLD : High Linedriver TT : TTL	100 - 2500 ppr.	Z : A, B, Z B : A, B ZZ : AĀ, BĀ, ŻŻ	V1 : 5 VDC V2 : 8 - 24 VDC V3 : 5 - 24 VDC	2M5 : 2,5 meter cable 5M : 5 meter cable 8M : 8 meter cable 10M : 10 meter cable CN12D: 12 pin connector	R : Radial

Please note: The specifications and information in this datasheet may not cover all special demands arising from specific applications. Therefore, they do not constitute a comprehensive description of the product properties. OPKON accepts no responsibility for damages resulting from the improper application of our products. The user is responsible for ensuring that the products used are suitable for their own application.