



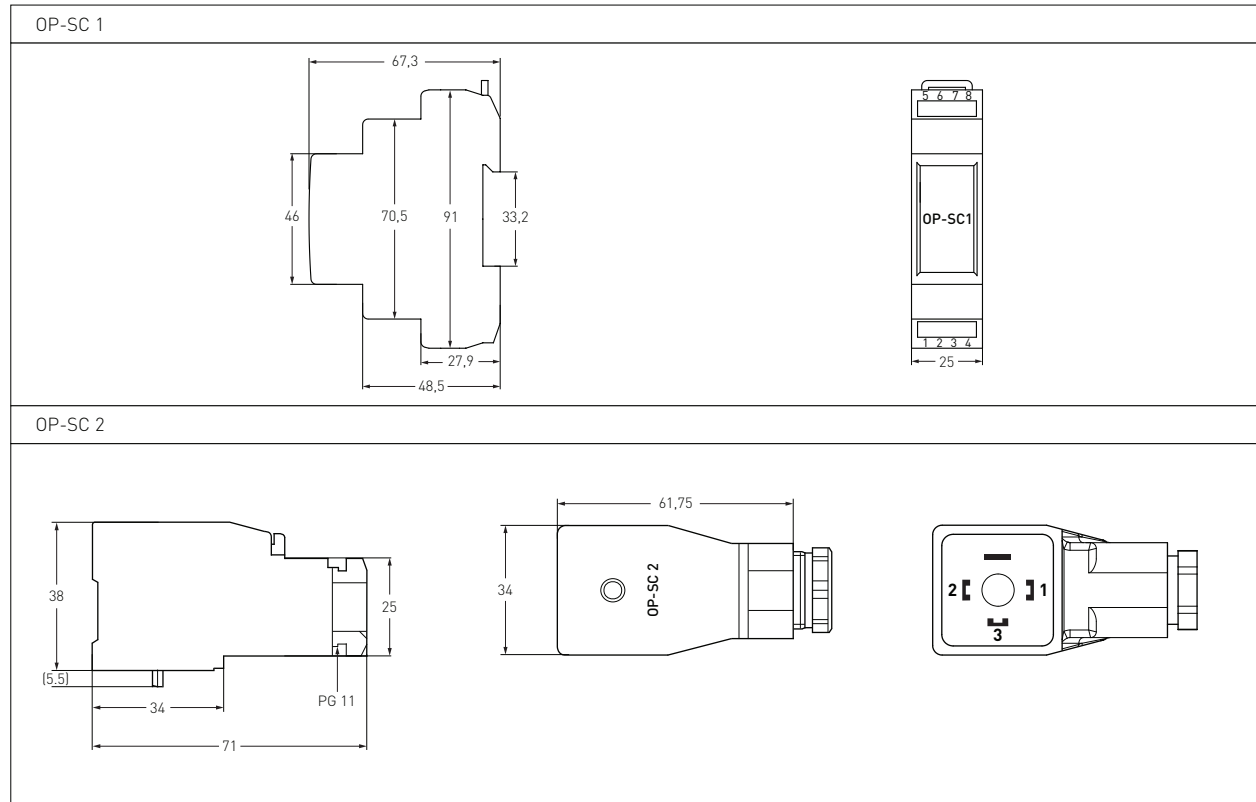
## OP-SC 1 OP-SC 2

Potentiometer  
Signal Converter

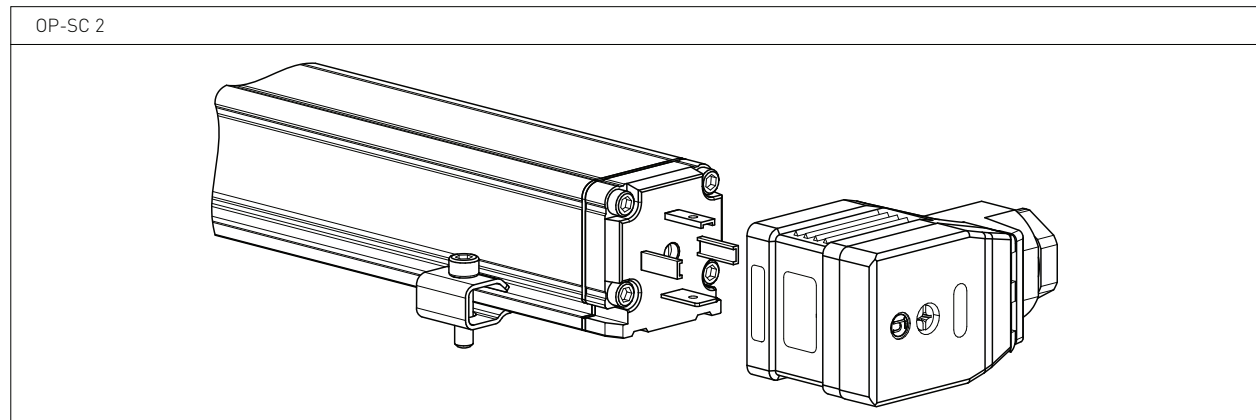
### 1. TECHNICAL SPECIFICATIONS

Power supply	24 V (15 - 30 V)
Output	0 - 10V, 4 - 20mA, 0 - 20mA
Recommended input resistance	>2 kOhm, <20 kOhm
Reverse voltage protection	Yes
Current consumption (without load)	max. 5mA
Power supply for potentiometer	10 VDC
Protection level	IP 30 (OP-SC 1A / 1V) IP 65 (OP-SC 2A / 2V)
Operating temperature	-20°C ... +80°C
Storage temperature	-30°C ... +90°C

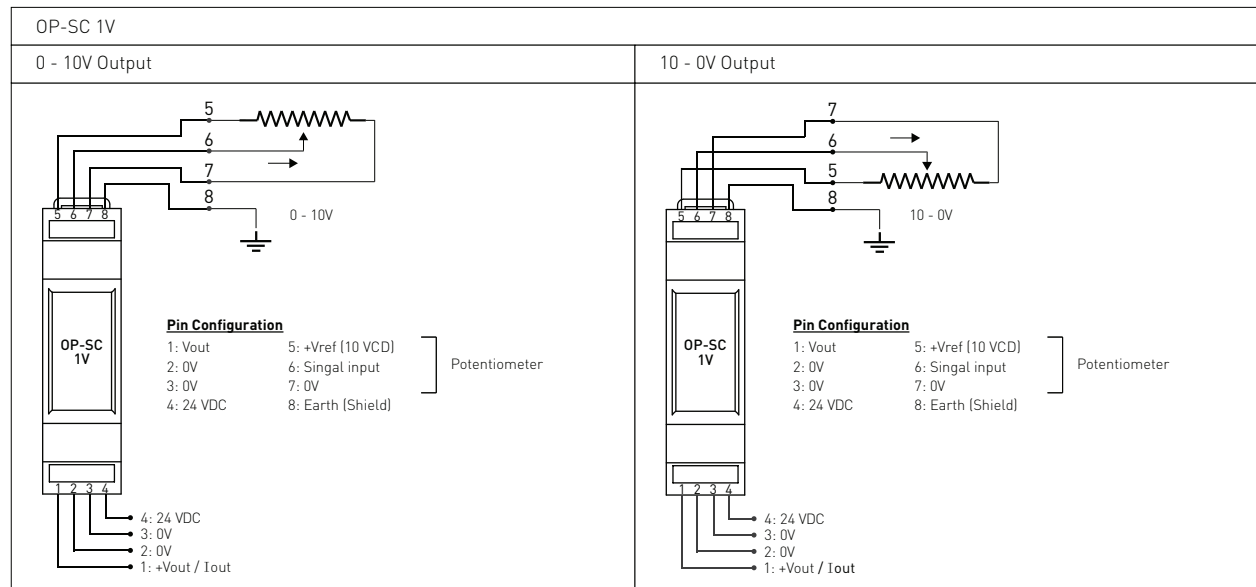
## 2.MECHANICAL SPECIFICATIONS

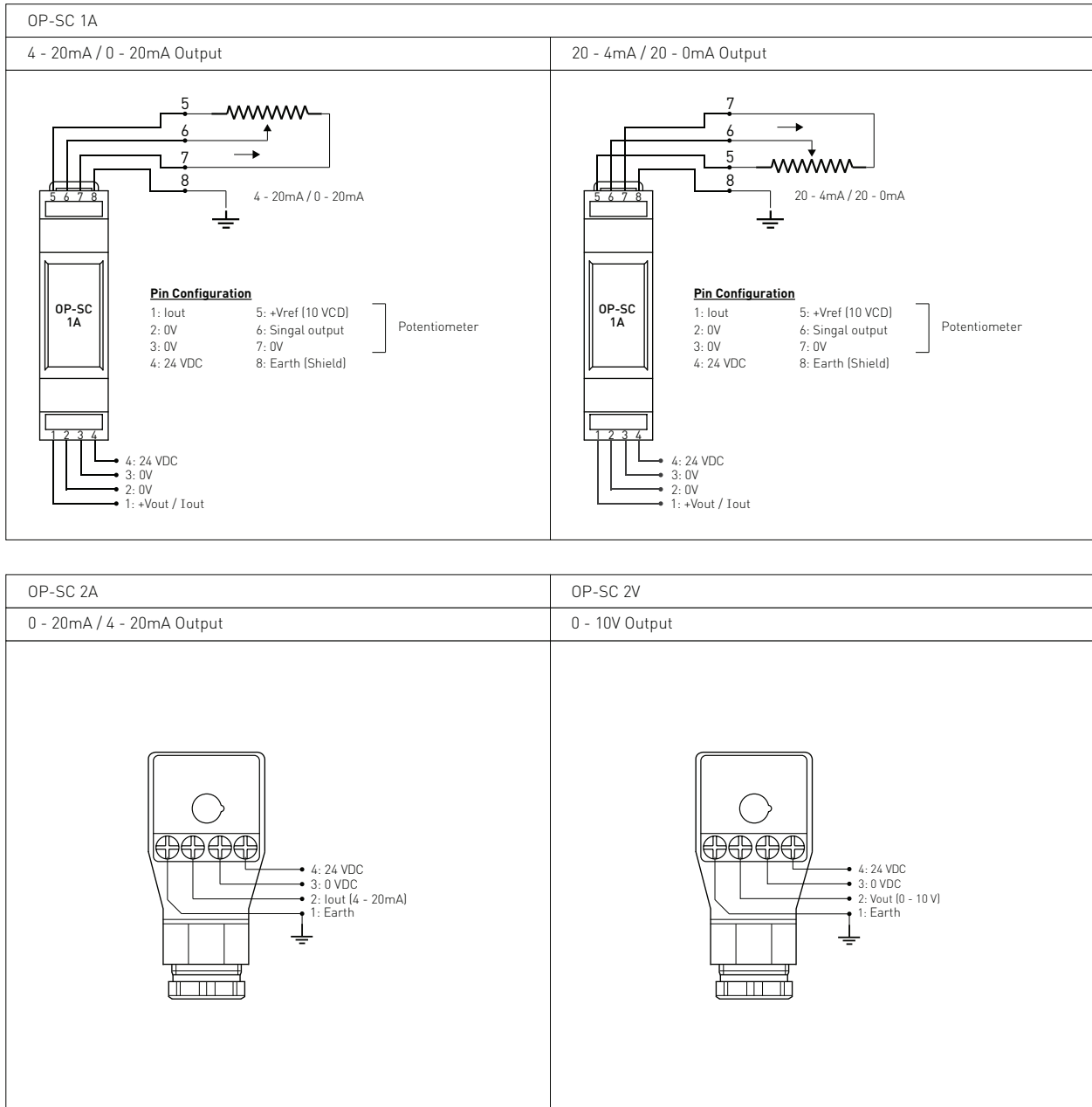


## 3.ASSEMBLY



## 4.CONNECTION DIAGRAM





## 5.ORDERING PROCEDURE

<b>1</b>	<b>Model</b>
	OP-SC 1 - OP-SC 2 : Potentiometer Signal Converter
<b>2</b>	<b>Output</b>
	V : 0 - 10 V A-I40 : 4 - 20 mA A-I20 : 0 - 20 mA
<b>3</b>	<b>Power Supply</b>
	V4 : 24 V (15-30 VDC)

**TÜRKİYE**  
Headquarter, R&D, Production

**OPKON Optik Elektronik Kontrol Sanayi ve Ticaret A.Ş.**  
Terazidere Mah. 29 Ekim Cad. No:34 Bayrampaşa / İstanbul / TÜRKİYE  
Phone : +90 (212) 501 48 63  
Fax : +90 (212) 501 48 83  
Web : www.opkon.com.tr  
E-mail : export@opkon.com.tr

---

**GERMANY**  
Subsidiary

**SENSORMARKET GmbH**  
Vohwinkeler Strasse 148, 42329 Wuppertal / GERMANY  
Phone : +49 20269867617  
Fax : +49 20269868030  
Web : www.sensormarket.eu  
E-mail : sales@sensormarket.eu

---

**CHINA**  
Subsidiary

**DANZI Sense Technology**  
(Shanghai) Co., LTD. Room 123 - B, F/1, No. 1000 Ziyue Road, Minhang District, 200240 Shanghai / CHINA  
Hotline : 400 8050 889  
Phone : 021 - 64091719  
Fax : 021 - 64091713  
Web : www.opkonchina.com  
E-mail : marketing@opkonchina.com

---

**opkon.com.tr**

Please note: The specifications and information in this datasheet may not cover all special demands arising from specific applications. Therefore, they do not constitute a comprehensive description of the product properties. OPKON accepts no responsibility for damages resulting from the improper application of our products. The user is responsible for ensuring that the products used are suitable for their own application.