

# MRPF 28

## Rotary, Non-Contact, Magnetic Analog Output, Absolute Sensor



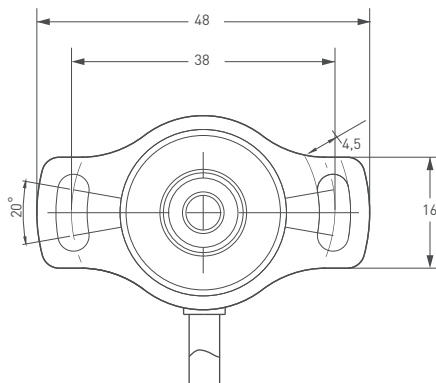
**ANALOG 0-10 V**

- 28 mm case diameter
- Industrial voltage output
- IP 54 protection level



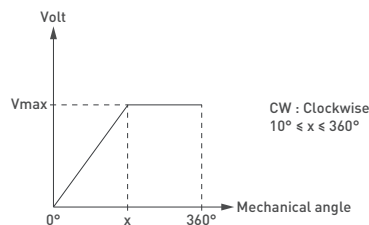
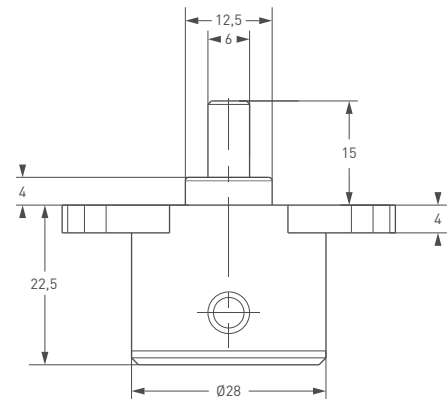
Technical Specifications	
Measurement type	Non-contact magnetic absolute encoder
Resolution	max. 12 bit
Linearity	$\leq \pm 0,5\%FS$
Measurement angle	Up to 0...360° (with 5° steps)
Output signal	Analog (voltage)
Output type	Voltage output : 0-5 VDC or 0-10 VDC
Power supply	8-24 VDC (0-5 VDC) 15-24 VDC (0-10 VDC)
Power consumption (without load)	< 40 mA (@24 VDC)
Reverse polarity protection	Up to +30 VDC
Cable	1 m cable (standard)
Displacement speed	1000 rpm
Rod diameter	Ø6 mm
Rod material	Stainless steel
Case diameter	Ø28 mm
Case material	Plastic
Protection level	IP 54
Operating temperature	-20°C ... +80°C
Storage temperature	-30°C ... +90°C

### Mechanical Specifications



#### Voltage Output

- +V : Brown
- 0V : Blue
- Vout : Yellow
- GND : Shield



### Ordering Procedure

Model	Case diameter	Rod diameter	Measuring angle	Rotation	Power supply	Cable	Cable output
MRPF	28	R6	0-10 V/45°	CW	V2	1M	R
MRPF	28	R6: 6 mm	V10/5°      V5/5° ·                    · ·                    · V10/360°      V5/360°	CW: clockwise CCW: counter clockwise	V2: 8-24 VDC V3: 15-24 VDC	1M: 1 meter cable	R: Radial

Please note: The specifications and information in this datasheet may not cover all special demands arising from specific applications. Therefore, they do not constitute a comprehensive description of the product properties. OPKON accepts no responsibility for damages resulting from the improper application of our products. The user is responsible for ensuring that the products used are suitable for their own application.