



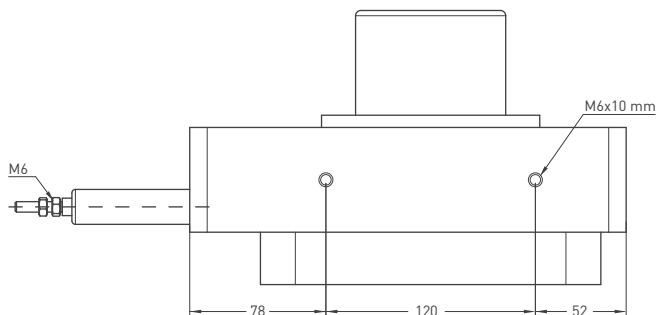
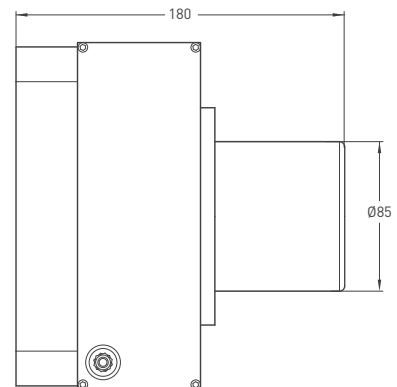
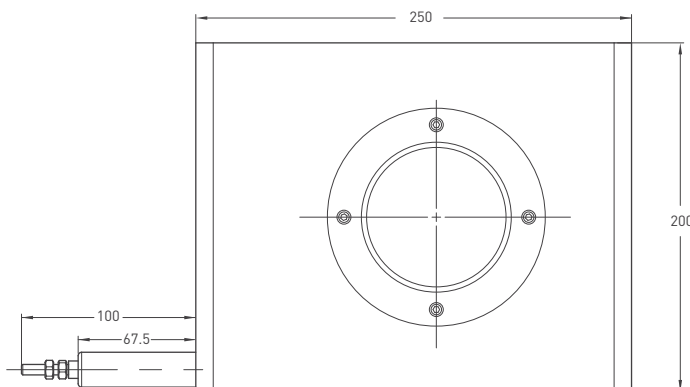
- Measurement length 10000 - 20000 mm
- Incremental encoder output
Push-Pull, TTL, High Linedriver or Linedriver



Technical Specifications

Measurement stroke	10000 - 20000 mm
Type of measurement	Optical
Resolution	0,1 mm/pulse 0,2 mm/pulse
Output signal	A, B, Z or A, \bar{A} , B, \bar{B} , Z, \bar{Z}
Output signal type	Push-Pull, TTL Linedriver or HLD
Power supply	5 - 24 VDC, 5 VDC
Power consumption (without load)	< 40 mA (24 VDC)
Electrical connections	2.5 m cable (standard)
Displacement speed	2 m/s
Case material	Aluminium
Weight	< 5000 gr
Protection level	IP 65
Operating temperature	-20°C ... +80°C
Storage temperature	-30°C ... +90°C

Mechanical Specifications



Push-Pull Cable Output

+V : Brown
0V : White
GND : Shield
Ch A : Yellow
Ch B : Green
Ch Z : Gray

TTL - High Linedriver - Linedriver Cable Output

+V : Brown
0V : White
GND : Shield
Ch A : Yellow
Ch B : Green
Ch Z : Gray
Ch A inv. : Blue
Ch B inv. : Red
Ch Z inv. : Pink

Ordering Procedure

Model	Case type	Measurement stroke	Output	Resolution	Output signal	Power supply	Connektor/Cable	Cable output
DWEM	4	15000	LTP	P1000	Z	V3	2M5	R
DWEM	4	10000 - 20000 mm	TT : TTL LD : Linedriver LTP : Push-Pull HLD : High Linedriver	P1000 : 0,2 mm / pulse P2000 : 0,1 mm / pulse	Z : A, B, Z B : A, B, Z ZZ : AA, BB, ZZ	V1 : 5 VDC V3 : 5-24 VDC	2M5: 2.5 meter cable 5M : 5 meter cable 8M : 8 meter cable 10M : 10 meter cable	R: Radial A: Axial (optional)