

U Series USB Slip Ring

USB slip ring specially designed to transmit USB1.0/USB2.0 signals, with advantages of reliable transmitting, no packet loss, no string code, low return loss, low insertion loss.



Features

- Standard USB male/female connectors
- Standard USB wires connection
- Max 9 channels USB in one slip ring
- can combine with power or pneumatic/hydraulic slip ring
- Contact materials: precious metal + gold plating which ensures abrasion resistant and anti-Oxidant for long working life
- Senring electronics has 70% USB slip rings are customized;

Part No. Description

U	ID	OD	USB channels no.	power circuits	signal circuits	Product grade
U:USB Slip Ring						Examples: C:standard D:industrial
Examples: M0155:M means solid without hole, OD:15.5mm H1256:H means through hole, ID:12.7mm, OD:56mm H2586:H means through hole ID:25.4mm, OD:86mm H3899:H means through hole ID:38.1mm, OD:99mm H50119:H means through hole ID:25.4mm, OD:119mm						Examples: 06S:6 circuits signal @2A(5A options) 12S:12 circuits signal @2A(5A options)
						Examples: 0610:6 circuits@10A;1210:12 circuits@10A
						Examples : 01:1 set of USB cable;02:2 set of USB cable

Examples

UM0155-01-06 : U means USB3.0 Slip Ring, M means solid without hole, OD 15.5mm , 1 set of USB cable, 6 circuits signal;

UH1256-01-0310-04S : USB2.0 Slip Ring, H means through hole, ID 12.7mm, OD 56mm, 1 set of USB cable, 0310:3 circuits@10A, 04S:4 circuits signal@2A (5A options)

Model List

Model	through hole size	OD	USB channels no.	power/signal circuits no.
UM0155	solid	15.5mm	1~2(USB3.0)	1~12
UH1256-01	12.7mm	56mm	1	1~24
UH1256-02	12.7mm	56mm	2	1~24
UH2586-01	25.4mm	86mm	1	1~48
UH2586-02	25.4mm	86mm	2	1~48
UH3899-01	38.1mm	99mm	1	1~56
UH3899-02	38.1mm	99mm	2	1~56
UH50119-01	50mm	119mm	1	1~72
UH50119-02	50mm	119mm	2	1~72

Color Code of Lead Wire

ring #	1	2	3	4	5	6	7	8	9	10	11	12
color	BLK	BRN	RED	ORG	YEL	GRN	BLU	PUR	GRY	WHT	PINK	LGT BLU
ring#	13	14	15	16	17	18	19	20	21	22	23	24
color	WHT/BLK	WHT/BRN	WHT/RED	WHT/ORG	WHT/YEL	WHT/GRN	WHT/BLU	WHT/PUR	WHT/GRY	BLK/RED	BLK/BRN	Transparent

Remark: "1" : the first wire from rotor side , UH1256-01-06S wire color sequence:BLK/BRN/RED/ORG/YEL/GRN , 24 color wires as one group , if more than 24wires, repeat as sequence , use number tube to tell group 1#, 2#....

UM0155 series USB3.0 signal slip ring

1~2 Channels USB3.0 wire +2~12 circuits signal

SenRing UM0155 series USB3.0 signal slip ring,solid,OD15.5mm,specially used to transmit high speed data and can be combined to transmit various signal channels,have the advantages of stable signal transmission,no packet loss, no string code, small return loss, small insertion loss,etc....

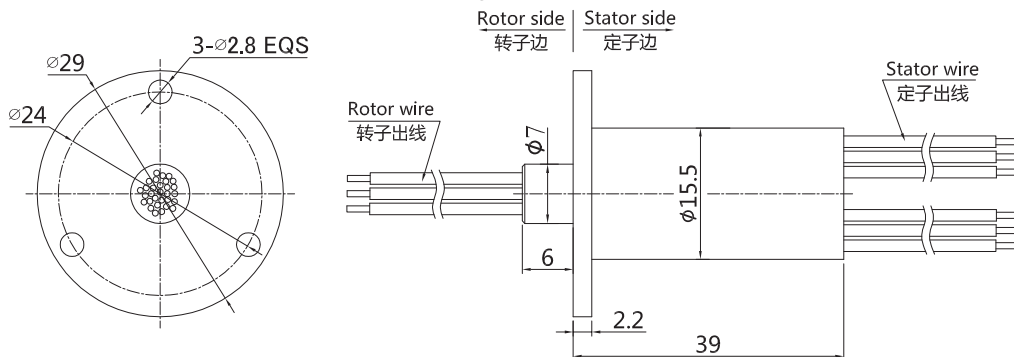
Part No. Description

UM0155 -		USB channels no.-	USB -	power circuits -	signal circuits -	Product grade
U:USB Slip Ring M means solid without hole OD:15.5mm Examples: 01:1 set of USB cable 02:2 set of USB cable 03:3 set of USB cable 04:4 set of USB cable 02: USB2.0 Slip Ring 03: USB3.0 Slip Ring						Examples: C:standard D:industrial Examples: 06S:6 circuits signal @2A(5A options) 12S:12 circuits signal @2A(5A options)
				Examples: 0610:6 circuits@10A;1210:12 circuits@10A		

Examples

UM0155-01: U means USB signal slip ring,M means solid without hole,022 means OD22MM,01 means 1 channel USB3.0;

UM0155-01-06S: U means USB signal slip ring,M means solid without hole, 022 means OD22MM,01 means 1 channel USB3.0 ,06S means 6 circuits signal;



Model List

Model	power/signal circuits no.			USB channels no.	
	signal(2A)	power(5A)	power(10A)	USB2.0	USB3.0
UM0155-01-02-18S	18	0	0	1	0
UM0155-01-02-12S	12	0	0	2	0
UM0155-03-02-06S	6	0	0	3	0
UM0155-04-02	0	0	0	4	0
UM0155-01-02-030S-03S	3	3	0	1	0
UM0155-01-02-12S	3	0	2	1	0
UM0155-01-03-12S	12	0	0	1	0
UM0155-02-03	0	0	0	0	2
UM0155-01-03-020S-06S	6	2	0	1	0

*Remark: Circuits can be combined in parallel for bigger current,N circuits of 10A to get N*10A,such as 2 circuits of 10A in parallel for 20A use.Pls contact the SenRing salesman if you want to customize USB and power/signal circuit no,or mix other signal.

Technical Specification of the slip ring

USB cable	1~2 channels USB3.0	connector	USB 3.0 male (female optional)	
Mechanical Data		Electrical Data		
spec	data	spec	data	
working life	10millions for ref(depends on working conditions)	voltage range	0~240VAC/VDC	0~240VAC/VDC
Rotating speed	150RPM	insulation resistance	$\geq 300M\Omega/300VDC$	$\geq 300M\Omega/300VDC$
working temp.	-30℃~80℃	lead wire spec.	AWG30# Silver	AWG30# Silver
work humidity	0~85% RH		-plated teflon	-plated teflon
contact material	gold/gold	lead wire length	standard 150mm(can be customized)	
housing material	aluminum alloy	Dielectric Strength	300VAC@50Hz,60s	
torque	0.05N.m;+0.01N.m/6 circuits	Electrical noise	<0.01Ω	
material	RoHS certificate	CE certificate	Yes	

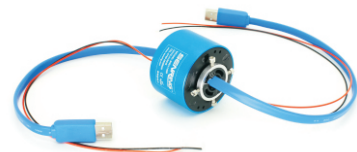
Color Code of Lead Wire

ring #	1	2	3	4	5	6	7	8	9	10	11	12
color	BLK	BRN	RED	ORG	YEL	GRN	BLU	PUR	GRY	WHT	PINK	LGT BLU
ring#	13	14	15	16	17	18	19	20	21	22	23	24
color	WHT/BLK	WHT/BRN	WHT/RED	WHT/ORG	WHT/YEL	WHT/GRN	WHT/BLU	WHT/PUR	WHT/GRY	BLK/RED	BLK/BRN	Transparent

Remark: "1" : the first wire from rotor side , UM0155-06 wire color sequence:BLK/BRN/RED/ORG/

YEL/GRN , 24 color wires as one group , if more than 24wires, repeat as sequence , use number tube to tell group 1#, 2#....

UH1256-01 series USB2.0 signal slip ring



Single channel USB2.0 wire+1~24 circuits power/signal

SenRing UH1256-01 series Single channel USB slip ring, hole size 12.7mm, OD56MM, can transmit 1 channel USB2.0 signal when 360° rotating, can be combined to transmit 1~20 circuits power/signal as well as IEEE1394 and various of USB signal. SNU11 series 1 channel USB slip ring has the advantages of stable signal transmission, no packet loss, no string code, small return loss, small insertion loss, etc....

Hole size 12.7mm, suitable for any rotating application which requires a through hole ≤ 12.7 mm. SNU11 series USB slip ring is a standard model, stock available for common use. Pls contact the SenRing technician if you have special specification requirements for customization.

Part No. Description

UH1256-01 - power circuits - signal circuits - Product grade

U:USB Slip Ring

H means through hole

ID:12.7mm OD:56mm

01:1 set of USB cable

Examples:

C:standard

D:industrial

Examples:

0610:6 circuits@10A

1210:12 circuits@10A

Examples:

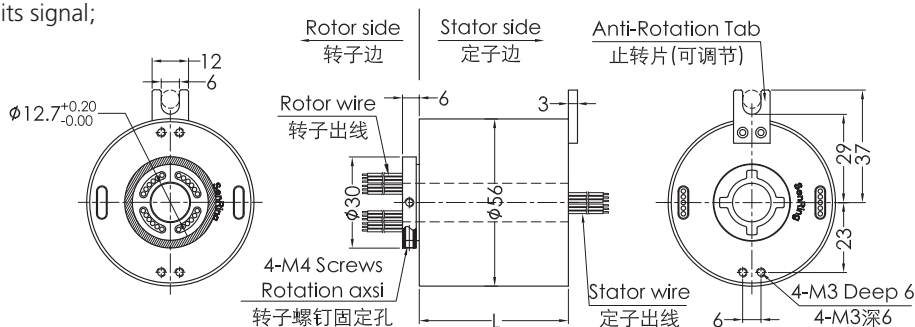
06S:6 circuits signal@2A(5A options)

12S:12 circuits signal@2A(5A options)

Examples

UH1256-01-06S: U means USB signal slip ring, H means through hole slip ring, 1256 means hole size:12.7mm, OD56MM, 01 means 1 channel USB2.0, 06 means 6 circuits signal;

UH1256-01-0310-04S: U means USB signal slip ring, H means through hole slip ring, 1256 means hole size 12.7mm, OD56MM, 01 means 1 channel USB2.0, 0310 means 3 circuits current(10A each), 04S means 4 circuits signal;



Model List

Model	power/signal circuits no.			USB2.0 channels no.	Length l(mm)
	0~2A	power(10A)	power(20A)		
UH1256-01-02S	2	0	0	1	38
UH1256-01-0210	0	2	0	1	38
UH1256-01-08S	8	0	0	1	55
UH1256-01-0810	0	8	0	1	55
UH1256-01-0210-06S	6	2	0	1	55
UH1256-01-0410-04S	4	4	0	1	55
UH1256-01-14S	14	0	0	1	71.5
UH1256-01-1410	0	14	0	1	71.5
UH1256-01-0410-10S	10	4	0	1	71.5
UH1256-01-0810-06S	6	8	0	1	71.5
UH1256-01-20S	20	0	0	1	88.5

*Remark: Circuits can be combined in parallel for bigger current, N circuits of 10A to get N*10A, such as 2 circuits of 10A in parallel for 20A use. Pls contact the SenRing salesman if you want to customize USB and power/signal circuit no, or mix other signal.

Technical Specification of the slip ring

USB cable	1 channels USB2.0	connector	USB 2.0 male (female optional)	
Mechanical Data		Electrical Data		
spec	data	spec	data	
working life	refer to slip ring grade table		power	signal
Rotating speed	refer to slip ring grade table	voltage range	0~440VAC/VDC	0~440VAC/VDC
working temp.	-30℃~80℃	insulation resistance	≥1000MΩ/500VDC	≥1000MΩ/500VDC
work humidity	0~85% RH	lead wire spec.	AWG17# Silver	AWG22# Silver
contact material	refer to slip ring grade table		-plated teflon	-plated teflon
housing material	aluminum alloy	lead wire length	standard 300mm(can be customized)	
torque	0.1N.m;+0.03N.m/6 circuits	Dielectric Strength	500VAC@50Hz,60s	
material	RoHS certificate	Electrical noise	<0.01Ω	
CE certificate	Yes			

Grade code

Grade code	Max rotating speed	working life	contact material
C:standard	400RPM	20 millions	precious metal
D:industrial	800RPM	60 millions	gold-gold

Color Code of Lead Wire

ring #	1	2	3	4	5	6	7	8	9	10	11	12
color	BLK	BRN	RED	ORG	YEL	GRN	BLU	PUR	GRY	WHT	PINK	LGT BLU
ring#	13	14	15	16	17	18	19	20	21	22	23	24
color	WHT/BLK	WHT/BRN	WHT/RED	WHT/ORG	WHT/YEL	WHT/GRN	WHT/BLU	WHT/PUR	WHT/GRY	BLK/RED	BLK/BRN	Transparent

Remark: "1" : the first wire from rotor side , UH1256-01-06S wire color sequence:BLK/BRN/RED/ORG/YEL/GRN , 24 color wires as one group , if more than 24wires, repeat as sequence , use number tube to tell group 1#, 2#....

UH1256-02 series USB2.0 signal slip ring



2 channels USB2.0 wire+1~24 circuits power/signal

SenRing UH1256-02 series Single channel USB slip ring, hole size 12.7mm, OD56MM, can transmit 1 channel USB2.0 signal when 360° rotating, can be combined to transmit 1~34 circuits power/signal as well as IEEE1394 and various of USB signal. SNU12 series 1 channel USB slip ring has the advantages of stable signal transmission, no packet loss, no string code, small return loss, small insertion loss, etc.... Hole size 12.7mm, suitable for any rotating application which requires a through hole ≤12.7mm. SNU12 series USB slip ring is a standard model, stock available for common use. Pls contact the SenRing technician if you have special specification requirements for customization.

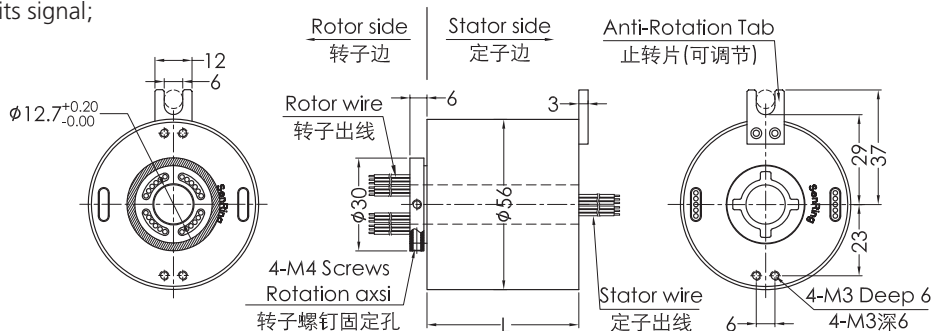
Part No. Description

UH1256-02 - power circuits - signal circuits - Product grade	
U: USB Slip Ring H means through hole ID: 12.7mm OD: 56mm 02: 2 set of USB cable Examples: 0610: 6 circuits@10A 1210: 12 circuits@10A	Examples: C: standard D: industrial Examples: 06S: 6 circuits signal@2A(5A options) 12S: 12 circuits signal@2A(5A options)

Examples

UH1256-02-06S: U means USB signal slip ring, H means through hole slip ring, 1256 means hole size: 12.7mm, OD56MM, 02 means 2 channels USB2.0, 06 means 6 circuits signal;

UH1256-02-0310-04S: U means USB signal slip ring, H means through hole slip ring, 1256 means hole size 12.7mm, OD56MM, 02 means 2 channels USB2.0, 0310 means 3 circuits current(10A each), 04S means 4 circuits signal;



Model List

Model	power/signal circuits no.			USB2.0 channels no.	Length l(mm)
	0~2A	power(10A)	power(20A)		
UH1256-02-04S	4	0	0	2	55
UH1256-02-0410	0	4	0	2	55
UH1256-02-0420	0	0	4	2	63
UH1256-02-1010	0	10	0	2	71.5
UH1256-02-10S	10	0	0	2	71.5
UH1256-02-0210-08S	8	2	0	2	71.5
UH1256-02-0610-04S	4	6	0	2	71.5
UH1256-02-1610	0	16	0	2	88.5
UH1256-02-16S	16	0	0	2	88.5
UH1256-02-22S	22	0	0	2	106
UH1256-02-34S	34	0	0	2	140

*Remark: Circuits can be combined in parallel for bigger current, N circuits of 10A to get N*10A, such as 2 circuits of 10A in parallel for 20A use. Pls contact the SenRing salesman if you want to customize USB and power/signal circuit no, or mix other signal.

Technical Specification of the slip ring

USB cable	2 channels USB2.0	connector	USB 2.0 male (female optional)	
Mechanical Data		Electrical Data		
spec	data	spec	data	
working life	refer to slip ring grade table		power	signal
Rotating speed	refer to slip ring grade table	voltage range	0~440VAC/VDC	0~440VAC/VDC
working temp.	-30℃~80℃	insulation resistance	≥1000MΩ/500VDC	≥1000MΩ/500VDC
work humidity	0~85% RH	lead wire spec.	AWG17# Silver -plated teflon	AWG22# Silver -plated teflon
contact material	refer to slip ring grade table	lead wire length	standard 300mm(can be customized)	
housing material	aluminum alloy	Dielectric Strength	500VAC@50Hz,60s	
torque	0.1N.m;+0.03N.m/6 circuits	Electrical noise	<0.01Ω	
material	RoHS certificate			
CE certificate	Yes			

Grade code

Grade code	Max rotating speed	working life	contact material
C:standard	400RPM	20 millions	precious metal
D:industrial	800RPM	60 millions	gold-gold

Color Code of Lead Wire

ring #	1	2	3	4	5	6	7	8	9	10	11	12
color	BLK	BRN	RED	ORG	YEL	GRN	BLU	PUR	GRY	WHT	PINK	LGT BLU
ring#	13	14	15	16	17	18	19	20	21	22	23	24
color	WHT/BLK	WHT/BRN	WHT/RED	WHT/ORG	WHT/YEL	WHT/GRN	WHT/BLU	WHT/PUR	WHT/GRY	BLK/RED	BLK/BRN	Transparent

Remark: "1" : the first wire from rotor side , UH1256-02-06S wire color sequence:BLK/BRN/RED/ORG/YEL/GRN , 24 color wires as one group , if more than 24wires, repeat as sequence , use number tube to tell group 1#, 2#....

UH2586-01 series USB2.0 signal slip ring

1 channel USB2.0 wire+1~48 circuits power/signal

SenRing UH2586-01 series Single channel USB slip ring, USB cable with 360° rotating, can be combined to transmit 2~38 circuits power/signal as well as fiber optic、gigabit ethernet. UH2586-01 series 1 channel USB slip ring has the advantages of stable signal transmission, no packet loss, no string code, small return loss, small insertion loss, etc.... Hole size 25.4mm, OD86mm, suitable for any rotating application which requires a through hole ≤ 25.4 mm. UH2586-01 series USB slip ring is a standard model, stock available for common use. Pls contact the SenRing technician if you have special specification requirements for customization.



Part No. Description

UH2586-01 - power circuits - signal circuits - Product grade

U: USB Slip Ring

H means through hole
ID: 25.4mm OD: 86mm
01: 1 set of USB cable

Examples:

0610: 6 circuits@10A
1210: 12 circuits@10A

Examples:

C: standard
D: industrial

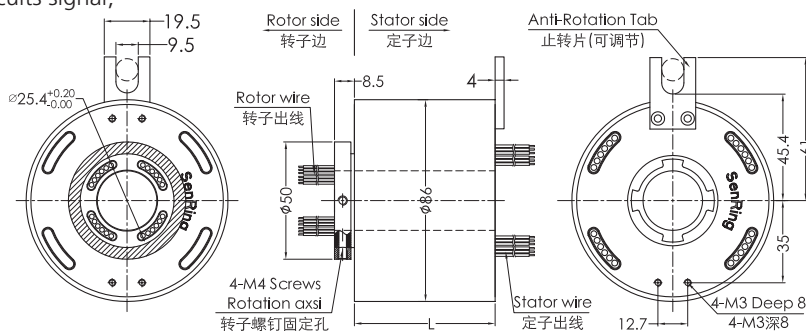
Examples:

06S: 6 circuits signal@2A(5A options)
12S: 12 circuits signal@2A(5A options)

Examples

UH2586-01-06S: U means USB signal slip ring, H means through hole slip ring, 2586 means hole size: 25.4mm, OD86MM, 01 means 1 channel USB2.0, 06 means 6 circuits signal;

UH2586-01-0310-04S: U means USB signal slip ring, H means through hole slip ring, 2586 means hole size 25.4mm, OD86MM, 01 means 1 channel USB2.0, 0310 means 3 circuits current(10A each), 04S means 4 circuits signal;



选型表

Model	power/signal circuits no.			USB2.0 channels no.	Length l(mm)
	0~2A	power(10A)	power(20A)		
UH2586-01-02S	2	0	0	1	48
UH2586-01-0210	0	2	0	1	48
UH2586-01-0420	0	0	4	1	72
UH2586-01-08S	8	0	0	1	72
UH2586-01-0810	0	8	0	1	72
UH2586-01-0210-06S	6	2	0	1	72
UH2586-01-0410-04S	4	4	0	1	72
UH2586-01-14S	14	0	0	1	96
UH2586-01-1410	0	14	0	1	96
UH2586-01-0410-10S	10	4	0	1	96
UH2586-01-0810-06S	6	8	0	1	96
UH2586-01-20S	20	0	0	1	120
UH2586-01-2010	0	20	0	1	120
UH2586-01-26S	26	0	0	1	144
UH2586-01-38S	38	0	0	1	192

*Remark: Circuits can be combined in parallel for bigger current, N circuits of 10A to get N*10A, such as 2 circuits of 10A in parallel for 20A use. Pls contact the SenRing salesman if you want to customize USB and power/signal circuit no, or mix other signal.

All rights reserved © Senring Electronics Tel: +86-755-29717812 E-mail: sales@senring.com website: www.senring.com

Technical Specification of the slip ring

USB cable	1 channels USB2.0	connector	USB 2.0 male (female optional)	
Mechanical Data		Electrical Data		
spec	data	spec	data	
working life	refer to slip ring grade table		power	signal
Rotating speed	refer to slip ring grade table	voltage range	0~440VAC/VDC	0~440VAC/VDC
working temp.	-30℃~80℃	insulation resistance	≥1000MΩ/500VDC	≥1000MΩ/500VDC
work humidity	0~85% RH	lead wire spec.	AWG17# Silver -plated teflon	AWG22# Silver -plated teflon
contact material	refer to slip ring grade table	lead wire length	standard 300mm(can be customized)	
housing material	aluminum alloy	Dielectric Strength	500VAC@50Hz, 60s	
torque	0.1N.m;+0.03N.m/6 circuits	Electrical noise	<0.01Ω	
material	RoHS certificate			
CE certificate	Yes			

Grade code

Grade code	Max rotating speed	working life	contact material
C:standard	400RPM	20 millions	precious metal
D:industrial	800RPM	60 millions	gold-gold

Color Code of Lead Wire

ring #	1	2	3	4	5	6	7	8	9	10	11	12
color	BLK	BRN	RED	ORG	YEL	GRN	BLU	PUR	GRY	WHT	PINK	LGT BLU
ring#	13	14	15	16	17	18	19	20	21	22	23	24
color	WHT/BLK	WHT/BRN	WHT/RED	WHT/ORG	WHT/YEL	WHT/GRN	WHT/BLU	WHT/PUR	WHT/GRY	BLK/RED	BLK/BRN	Transparent

Remark: "1" : the first wire from rotor side , UH2586-01-06S wire color sequence:BLK/BRN/RED/ORG/YEL/GRN , 24 color wires as one group , if more than 24wires, repeat as sequence , use number tube to tell group 1#, 2#....

UH2586-02 series USB2.0 signal slip ring

2 channels USB2.0 wire+1~48 circuits power/signal



SenRing UH2586-02 series 2 channels USB slip ring(USB2.0 rotary connector),can transmit USB2.0 signal when 360° rotating,can be combined to stable transmit 2~34 circuits power/signal as well as IEEE1394 and various of USB signals. UH2586-02 series 2 channels USB slip ring has the advantages of stable signal transmission,no packet loss, no string code, small return loss, small insertion loss,etc.... Hole size 25.4mm,OD86mm,suitable for any rotating application which requires a through hole $\leq 25.4\text{mm}$.SNU22 series USB slip ring is a standard model , stock available for common use. Pls contact the SenRing technician if you have special specification requirements for customization.

Part No. Description

UH2586-02 - power circuits - signal circuits - Product grade

U:USB Slip Ring

H means through hole

ID:25.4mm OD:86mm

02:2 set of USB cable

Examples:

0610:6 circuits@10A

1210:12 circuits@10A

Examples:

C:standard

D:industrial

Examples:

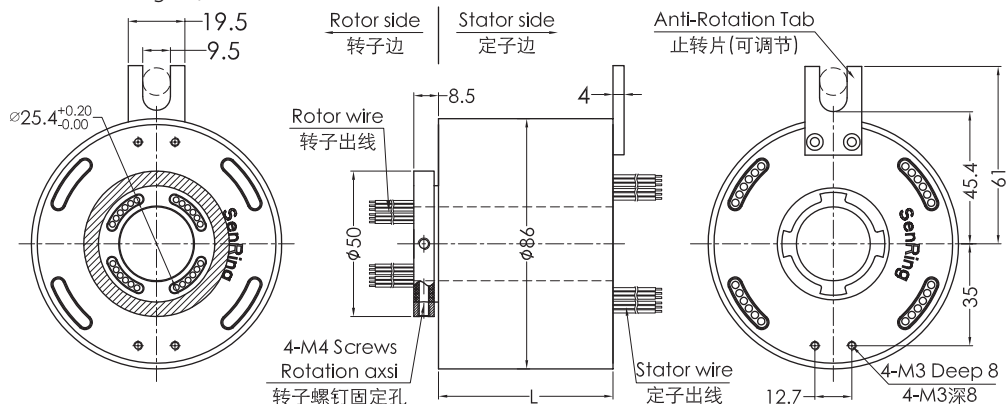
06S:6 circuits signal@2A(5A options)

12S:12 circuits signal@2A(5A options)

Examples

UH2586-02-06S: U means USB signal slip ring,H means through hole slip ring , 2586 means hole size:25.4mm,OD86MM,02 means 2 channels USB2.0,06 means 6 circuits signal;

UH2586-02-0310-04S: U means USB signal slip ring,H means through hole slip ring , 2586 means hole size 25.4mm,OD86MM,02 means 2 channels USB2.0 ,0310 means 3 circuits current(10A each) ,04S means 4 circuits signal;



Model List

Model	power/signal circuits no.			USB2.0 channels no.	Length l(mm)
	0~2A	power(10A)	power(20A)		
UH2586-02-04S	4	0	0	2	72
UH2586-02-0410	0	4	0	2	72
UH2586-02-0420	0	0	4	2	72
UH2586-02-1010	0	10	0	2	96
UH2586-02-10S	10	0	0	2	96
UH2586-02-0210-08S	8	2	0	2	96
UH2586-02-0610-04S	4	6	0	2	96
UH2586-02-1610	0	16	0	2	120
UH2586-02-16S	16	0	0	2	120
UH2586-02-22S	22	0	0	2	144
UH2586-02-34S	34	0	0	2	192

*Remark: Circuits can be combined in parallel for bigger current,N circuits of 10A to get N*10A,such as 2 circuits of 10A in parallel for 20A use.Pls contact the SenRing salesman if you want to customize USB and power/signal circuit no,or mix other signal.

Technical Specification of the slip ring

USB cable	2 channels USB2.0	connector	USB 2.0 male (female optional)	
Mechanical Data		Electrical Data		
spec	data	spec	data	
working life	refer to slip ring grade table		power	signal
Rotating speed	refer to slip ring grade table	voltage range	0~440VAC/VDC	0~440VAC/VDC
working temp.	-30℃ ~80℃	insulation resistance	≥ 1000MΩ/500VDC	≥ 1000MΩ/500VDC
work humidity	0~85% RH	lead wire spec.	AWG17# Silver	AWG22# Silver
contact material	refer to slip ring grade table		-plated teflon	-plated teflon
housing material	aluminum alloy	lead wire length	standard 300mm(can be customized)	
torque	0.1N.m;+0.03N.m/6 circuits	Dielectric Strength	500VAC@50Hz,60s	
material	RoHS certificate	Electrical noise	<0.01Ω	
CE certificate	Yes			

Grade code

Grade code	Max rotating speed	working life	contact material
C:standard	400RPM	20 millions	precious metal
D:industrial	800RPM	60 millions	gold-gold

Color Code of Lead Wire

ring #	1	2	3	4	5	6	7	8	9	10	11	12
color	BLK	BRN	RED	ORG	YEL	GRN	BLU	PUR	GRY	WHT	PINK	LGT BLU
ring#	13	14	15	16	17	18	19	20	21	22	23	24
color	WHT/BLK	WHT/BRN	WHT/RED	WHT/ORG	WHT/YEL	WHT/GRN	WHT/BLU	WHT/PUR	WHT/GRY	BLK/RED	BLK/BRN	Transparent

Remark: "1" : the first wire from rotor side , UH2586-02-06S wire color sequence:BLK/BRN/RED/ORG/YEL/GRN , 24 color wires as one group , if more than 24wires, repeat as sequence , use number tube to tell group 1#, 2#....



UH3899-01 series USB2.0 slip ring

1 Channel USB2.0 wire +1~56 circuits power/signal

SenRing UH3899-01 series 1 channel USB slip ring(USB2.0 rotary connector),can transmit USB2.0 signal when 360° rotating,can be combined to stable transmit 2~38 circuits power/signal as well as IEEE1394 and various of USB signals. UH3899-01 series 1 channel USB slip ring has the advantages of stable signal transmission,no packet loss, no string code, small return loss, small insertion loss,etc.... Hole size 38.1mm,OD99mm,suitable for any rotating application which requires a through hole <=38.1mm .UH3899-01 series USB slip ring is a standard model , stock available for common use. Pls contact the SenRing technician if you have special specification requirements for customization.

Part No. Description

UH3899-01 - power circuits - signal circuits - Product grade

U:USB Slip Ring

H means through hole

ID:38.1mm OD:99mm

01:1 set of USB cable

Examples:

0610:6 circuits@10A

1210:12 circuits@10A

Examples:

C:standard

D:industrial

Examples:

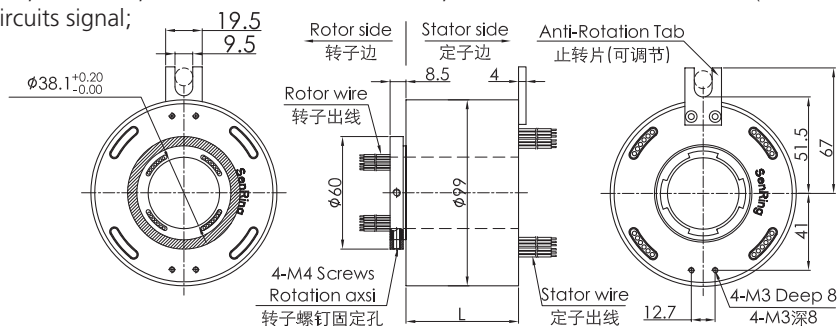
06S:6 circuits signal@2A(5A options)

12S:12 circuits signal@2A(5A options)

Examples

UH3899-01-06S: U means USB signal slip ring,H means through hole slip ring , 3899 means hole size:38.1mm,OD99MM,01 means 1 channel USB2.0,06 means 6 circuits signal;

UH3899-01-0310-04S: U means USB signal slip ring,H means through hole slip ring , 3899 means hole size 38.1mm,OD88MM,01 means 1 channel USB2.0 ,0310 means 3 circuits current(10A each) ,04S means 4 circuits signal;



Model List

Model	power/signal circuits no.			USB2.0 channels no.	Length l(mm)
	0~2A	power(10A)	power(20A)		
UH3899-01-02S	2	0	0	1	48
UH3899-01-0210	0	2	0	1	48
UH3899-01-0420	0	0	4	1	72
UH3899-01-08S	8	0	0	1	72
UH3899-01-0810	0	8	0	1	72
UH3899-01-0210-06S	6	2	0	1	72
UH3899-01-0410-04S	4	4	0	1	72
UH3899-01-14S	14	0	0	1	96
UH3899-01-1410	0	14	0	1	96
UH3899-01-0410-10S	10	4	0	1	96
UH3899-01-0810-06S	6	8	0	1	96
UH3899-01-20S	20	0	0	1	120
UH3899-01-2010	0	20	0	1	120
UH3899-01-26S	26	0	0	1	144
UH3899-01-38S	38	0	0	1	192

*Remark: Circuits can be combined in parallel for bigger current,N circuits of 10A to get N*10A,such as 2 circuits of 10A in parallel for 20A use.Pls contact the SenRing salesman if you want to customize USB and power/signal circuit no,or mix other signal.

Technical Specification of the slip ring

USB cable	1 channels USB2.0	connector	USB 2.0 male (female optional)	
Mechanical Data		Electrical Data		
spec	data	spec	data	
working life	refer to slip ring grade table		power	signal
Rotating speed	refer to slip ring grade table	voltage range	0~440VAC/VDC	0~440VAC/VDC
working temp.	-30℃~80℃	insulation resistance	≥1000MΩ/500VDC	≥1000MΩ/500VDC
work humidity	0~85% RH	lead wire spec.	AWG17# Silver	AWG22# Silver
contact material	refer to slip ring grade table		-plated teflon	-plated teflon
housing material	aluminum alloy	lead wire length	standard 300mm(can be customized)	
torque	0.1N.m;+0.03N.m/6 circuits	Dielectric Strength	500VAC@50Hz,60s	
material	RoHS certificate	Electrical noise	<0.01Ω	
CE certificate	Yes			

Grade code

Grade code	Max rotating speed	working life	contact material
C:standard	400RPM	20 millions	precious metal
D:industrial	800RPM	60 millions	gold-gold

Color Code of Lead Wire

ring #	1	2	3	4	5	6	7	8	9	10	11	12
color	BLK	BRN	RED	ORG	YEL	GRN	BLU	PUR	GRY	WHT	PINK	LGT BLU
ring#	13	14	15	16	17	18	19	20	21	22	23	24
color	WHT/BLK	WHT/BRN	WHT/RED	WHT/ORG	WHT/YEL	WHT/GRN	WHT/BLU	WHT/PUR	WHT/GRY	BLK/RED	BLK/BRN	Transparent

Remark: "1" : the first wire from rotor side , UH3899-01-06S wire color sequence:BLK/BRN/RED/ORG/YEL/GRN , 24 color wires as one group , if more than 24wires, repeat as sequence , use number tube to tell group 1#, 2#....

UH3899-02 series USB2.0 signal slip ring

2 Channels USB2.0 wire +1~56 circuits power/signal

SenRing UH3899-02 series 3 channels USB rotary joint, can transmit 3 channels USB2.0 signal when 360° rotating, can be combined to stable transmit 1~34 circuits power/signal as well as IEEE1394 and various of USB signals. UH3899-02 series 2 channels USB slip ring has the advantages of stable signal transmission, no packet loss, no string code, small return loss, small insertion loss, etc.... Hole size 38.1mm, suitable for any 360° rotating application which requires a through hole ≤38.1mm.

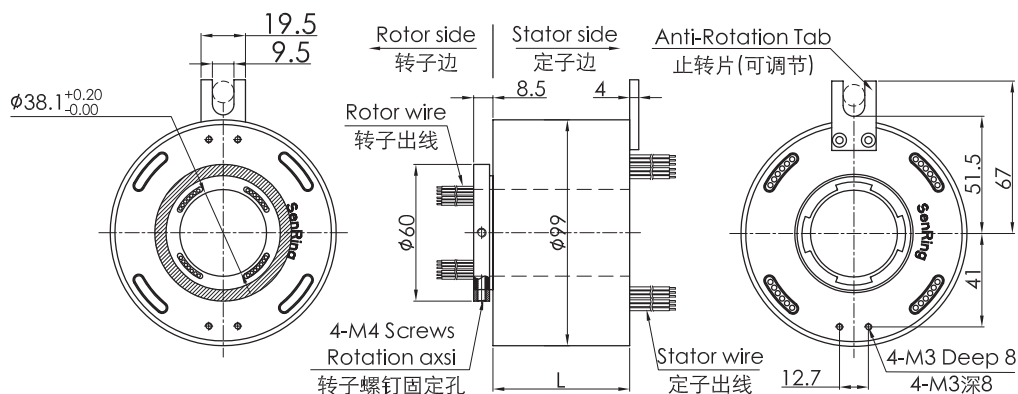
Part No. Description

UH3899-02 - power circuits - signal circuits - Product grade	
U:USB Slip Ring H means through hole ID:38.1mm OD:99mm 02:2 set of USB cable Examples: 0610:6 circuits@10A 1210:12 circuits@10A	Examples: C:standard D:industrial Examples: 06S:6 circuits signal@2A(5A options) 12S:12 circuits signal@2A(5A options)

Examples

UH3899-02-06S: U means USB signal slip ring, H means through hole slip ring, 3899 means hole size:38.1mm, OD99MM, 02 means 2 channels USB2.0, 06 means 6 circuits signal;

UH3899-02-0310-04S: U means USB signal slip ring, H means through hole slip ring, 3899 means hole size 38.1mm, OD88MM, 02 means 2 channels USB2.0, 0310 means 3 circuits current(10A each), 04S means 4 circuits signal;



Model List

Model	power/signal circuits no.			USB2.0 channels no.	Length l(mm)
	0~2A	power(10A)	power(20A)		
UH3899-02-04S	4	0	0	2	72
UH3899-02-0410	0	4	0	2	72
UH3899-02-0420	0	0	4	2	72
UH3899-02-1010	0	10	0	2	96
UH3899-02-10S	10	0	0	2	96
UH3899-02-0210-08S	8	2	0	2	96
UH3899-02-0610-04S	4	6	0	2	96
UH3899-02-1610	0	16	0	2	120
UH3899-02-16S	16	0	0	2	120
UH3899-02-22S	22	0	0	2	144
UH3899-02-34S	34	0	0	2	192

*Remark: Circuits can be combined in parallel for bigger current, N circuits of 10A to get N*10A, such as 2 circuits of 10A in parallel for 20A use. Pls contact the SenRing salesman if you want to customize USB and power/signal circuit no, or mix other signal.

Technical Specification of the slip ring

USB cable	2 channels USB2.0	connector	USB 2.0 male (female optional)	
Mechanical Data		Electrical Data		
spec	data	spec	data	
working life	refer to slip ring grade table		power	signal
Rotating speed	refer to slip ring grade table	voltage range	0~440VAC/VDC	0~440VAC/VDC
working temp.	-30℃~80℃	insulation resistance	≥1000MΩ/500VDC	≥1000MΩ/500VDC
work humidity	0~85% RH	lead wire spec.	AWG17# Silver	AWG22# Silver
contact material	refer to slip ring grade table		-plated teflon	-plated teflon
housing material	aluminum alloy	lead wire length	standard 300mm(can be customized)	
torque	0.1N.m;+0.03N.m/6 circuits	Dielectric Strength	500VAC@50Hz,60s	
material	RoHS certificate	Electrical noise	<0.01Ω	
CE certificate	Yes			

Grade code

Grade code	Max rotating speed	working life	contact material
C:standard	400RPM	20 millions	precious metal
D:industrial	800RPM	60 millions	gold-gold

Color Code of Lead Wire

ring #	1	2	3	4	5	6	7	8	9	10	11	12
color	BLK	BRN	RED	ORG	YEL	GRN	BLU	PUR	GRY	WHT	PINK	LGT BLU
ring#	13	14	15	16	17	18	19	20	21	22	23	24
color	WHT/BLK	WHT/BRN	WHT/RED	WHT/ORG	WHT/YEL	WHT/GRN	WHT/BLU	WHT/PUR	WHT/GRY	BLK/RED	BLK/BRN	Transparent

Remark: "1" : the first wire from rotor side , UH3899-02-06S wire color sequence:BLK/BRN/RED/ORG/YEL/GRN , 24 color wires as one group , if more than 24wires, repeat as sequence , use number tube to tell group 1#, 2#....

UH50119-01 series USB2.0 signal slip ring

1 Channel USB2.0 wire +1~72 circuits power/signal

SenRing UH50119-01 series 4 channels USB rotary joint, can transmit 4 channels USB2.0 signal when 360° rotating, can be combined to stable transmit 1~38 circuits power/signal as well as IEEE1394 and various of USB signals. UH50119-01 series 4 channels USB slip ring has the advantages of stable signal transmission, no packet loss, no string code, small return loss, small insertion loss, etc.... Hole size 50mm, suitable for any 360° rotating application which requires a through hole ≤50mm. UH50119-01 series USB slip ring is a standard model, stock available for common use. Pls contact the SenRing technician if you have special specification requirements for customization.



Part No. Description

UH50119-01 - power circuits - signal circuits - Product grade

U: USB Slip Ring

H means through hole
ID: 50mm OD: 119mm
01: 1 set of USB cable

Examples:
C: standard
D: industrial

Examples:

0610: 6 circuits@10A
1210: 12 circuits@10A

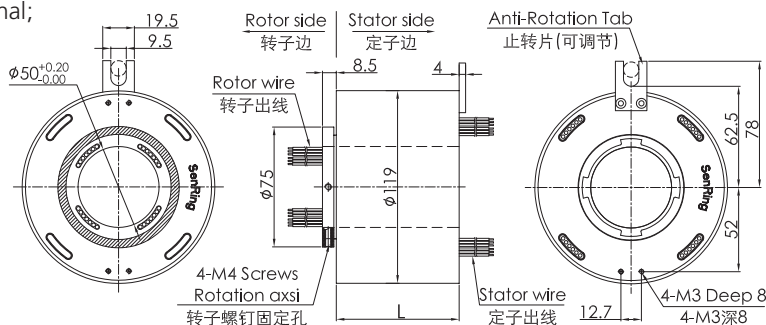
Examples:

06S: 6 circuits signal@2A (5A options)
12S: 12 circuits signal@2A (5A options)

Examples

UH50119-01-06S: U means USB signal slip ring, H means through hole slip ring, 50119 means hole size: 50mm, OD 119MM, 01 means 1 channel USB2.0, 06 means 6 circuits signal;

UH50119-01-0310-04S: U means USB signal slip ring, H means through hole slip ring, 50119 means hole size 50mm, OD 119MM, 01 means 1 channel USB2.0, 0310 means 3 circuits current (10A each), 04S means 4 circuits signal;



Model List

Model	power/signal circuits no.			USB2.0 channels no.	Length l(mm)
	0~2A	power(10A)	power(20A)		
UH50119-01-02S	2	0	0	1	52
UH50119-01-0210	0	2	0	1	52
UH50119-01-0420	0	0	4	1	76
UH50119-01-08S	8	0	0	1	76
UH50119-01-0810	0	8	0	1	76
UH50119-01-0210-06S	6	2	0	1	76
UH50119-01-0410-04S	4	4	0	1	76
UH50119-01-14S	14	0	0	1	100
UH50119-01-1410	0	14	0	1	100
UH50119-01-0410-10S	10	4	0	1	100
UH50119-01-0810-06S	6	8	0	1	100
UH50119-01-20S	20	0	0	1	124
UH50119-01-2010	0	20	0	1	124
UH50119-01-26S	26	0	0	1	148
UH50119-01-38S	38	0	0	1	196

*Remark: Circuits can be combined in parallel for bigger current, N circuits of 10A to get N*10A, such as 2 circuits of 10A in parallel for 20A use. Pls contact the SenRing salesman if you want to customize USB and power/signal circuit no, or mix other signal.

All rights reserved © Senring Electronics Tel: +86-755-29717812 E-mail: sales@senring.com website: www.senring.com

Technical Specification of the slip ring

USB cable	1 channels USB2.0	connector	USB 2.0 male (female optional)	
Mechanical Data		Electrical Data		
spec	data	spec	data	
working life	refer to slip ring grade table		power	signal
Rotating speed	refer to slip ring grade table	voltage range	0~440VAC/VDC	0~440VAC/VDC
working temp.	-30℃~80℃	insulation resistance	≥1000MΩ/500VDC	≥1000MΩ/500VDC
work humidity	0~85% RH	lead wire spec.	AWG17# Silver	AWG22# Silver
contact material	refer to slip ring grade table		-plated teflon	-plated teflon
housing material	aluminum alloy	lead wire length	standard 300mm(can be customized)	
torque	0.1N.m;+0.03N.m/6 circuits	Dielectric Strength	500VAC@50Hz,60s	
material	RoHS certificate	Electrical noise	<0.01Ω	
CE certificate	Yes			

Grade code

Grade code	Max rotating speed	working life	contact material
C:standard	400RPM	20 millions	precious metal
D:industrial	800RPM	60 millions	gold-gold

Color Code of Lead Wire

ring #	1	2	3	4	5	6	7	8	9	10	11	12
color	BLK	BRN	RED	ORG	YEL	GRN	BLU	PUR	GRY	WHT	PINK	LGT BLU
ring#	13	14	15	16	17	18	19	20	21	22	23	24
color	WHT/BLK	WHT/BRN	WHT/RED	WHT/ORG	WHT/YEL	WHT/GRN	WHT/BLU	WHT/PUR	WHT/GRY	BLK/RED	BLK/BRN	Transparent

Remark: "1" : the first wire from rotor side , UH50119-01-06S wire color sequence:BLK/BRN/RED/ORG/YEL/GRN , 24 color wires as one group , if more than 24wires, repeat as sequence , use number tube to tell group 1#, 2#....



UH50119-02 series USB2.0 signal slip ring

2 Channels USB2.0 wire +1~72 circuits power/signal

SenRing UH50119-02 series 4 channels USB rotary joint,can transmit 4 channels USB2.0 signal when 360° rotating. SenRing UH50119-02 series USB2.0 signal slip ring,hole size50mm,OD119mm,can transmit various of signal channels,have the advantages of stable signal transmission,no packet loss, no string code, small return loss, small insertion loss,etc....

Part No. Description

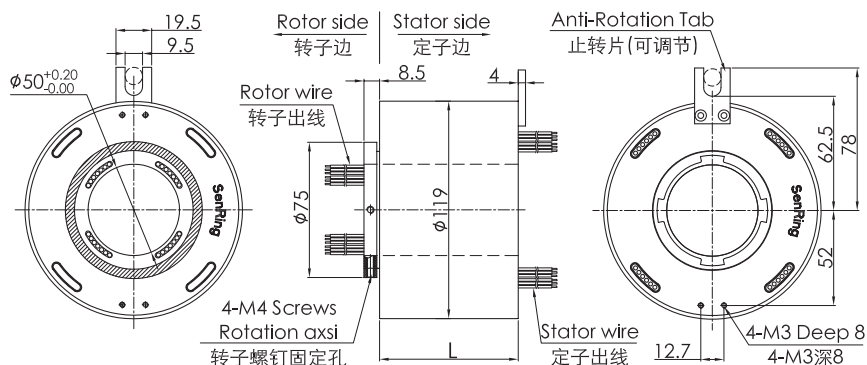
UH50119-02 - power circuits - signal circuits - Product grade	
U:USB Slip Ring H means through hole ID:50mm OD:119mm 02:2 set of USB cable Examples: 0610:6 circuits@10A 1210:12 circuits@10A	Examples: 06S:6 circuits signal@2A(5A options) 12S:12 circuits signal@2A(5A options)

Examples:
C:standard
D:industrial

Examples

UH50119-02-06S: U means USB signal slip ring,H means through hole slip ring , 50119 means hole size:50mm,OD119MM,02 means 2 channels USB2.0,06 means 6 circuits signal;

UH50119-02-0310-04S: U means USB signal slip ring,H means through hole slip ring , 50119 means hole size 50mm,OD119MM,02 means 2 channels USB2.0 ,0310 means 3 circuits current(10A each) ,04S means 4 circuits signal;



Model List

Model	power/signal circuits no.			USB2.0 channels no.	Length l(mm)
	0~2A	power(10A)	power(20A)		
UH50119-02-04S	4	0	0	2	76
UH50119-02-0410	0	4	0	2	76
UH50119-02-0420	0	0	4	2	76
UH50119-02-1010	0	10	0	2	100
UH50119-02-10S	10	0	0	2	100
UH50119-02-0210-08S	8	2	0	2	100
UH50119-02-0610-04S	4	6	0	2	100
UH50119-02-1610	0	16	0	2	124
UH50119-02-16S	16	0	0	2	124
UH50119-02-22S	22	0	0	2	148
UH50119-02-34S	34	0	0	2	196

*Remark: Circuits can be combined in parallel for bigger current,N circuits of 10A to get N*10A,such as 2 circuits of 10A in parallel for 20A use.Pls contact the SenRing salesman if you want to customize USB and power/signal circuit no,or mix other signal.

Technical Specification of the slip ring

USB cable	2 channels USB2.0	connector	USB 2.0 male (female optional)	
Mechanical Data		Electrical Data		
spec	data	spec	data	
working life	refer to slip ring grade table		power	signal
Rotating speed	refer to slip ring grade table	voltage range	0~440VAC/VDC	0~440VAC/VDC
working temp.	-30℃~80℃	insulation resistance	≥1000MΩ/500VDC	≥1000MΩ/500VDC
work humidity	0~85% RH	lead wire spec.	AWG17# Silver	AWG22# Silver
contact material	refer to slip ring grade table		-plated teflon	-plated teflon
housing material	aluminum alloy	lead wire length	standard 300mm(can be customized)	
torque	0.1N.m;+0.03N.m/6 circuits	Dielectric Strength	500VAC@50Hz,60s	
material	RoHS certificate	Electrical noise	<0.01Ω	
CE certificate	Yes			

Grade code

Grade code	Max rotating speed	working life	contact material
C:standard	400RPM	20 millions	precious metal
D:industrial	800RPM	60 millions	gold-gold

Color Code of Lead Wire

ring #	1	2	3	4	5	6	7	8	9	10	11	12
color	BLK	BRN	RED	ORG	YEL	GRN	BLU	PUR	GRY	WHT	PINK	LGT BLU
ring#	13	14	15	16	17	18	19	20	21	22	23	24
color	WHT/BLK	WHT/BRN	WHT/RED	WHT/ORG	WHT/YEL	WHT/GRN	WHT/BLU	WHT/PUR	WHT/GRY	BLK/RED	BLK/BRN	Transparent

Remark: "1" : the first wire from rotor side , UH50119-02-06S wire color sequence:BLK/BRN/RED/ORG/YEL/GRN , 24 color wires as one group , if more than 24wires, repeat as sequence , use number tube to tell group 1#, 2#....