

K Series Pancake Slip Rings

Produced by Senring developed pancake slip ring, As another form of though hole slip rings, pancake slip rings are designed for somewhere vertical space is limited while horizontal space is less restrictive. Special high vacuum sealing technology & precious metal brush ensure the high reliability transmitting and rotating performance of slip ring. With many advantages such as low torque ,low friction, low electrical noise and long life, pancake slip rings are mainly applied to transmit precise signal together with power, also could be combined with fluid media transmitting(such as hydraulic or pneumatic..)



Features

- SNK series specially designed for the rotary systems where limited vertical space
- Min.thickness 6.5mm,OD100mm,through hole with many hole sizes or solid optional
- Advanced spring fiber brush technology ensures low friction,low contact resistance, no friction chips

Part No. Description

Part No.	Description	K - shape	hole size	power circuits	signal circuits	Product grade
K series Pancake Slip Ring	Examples : 2: horizontal expansion (the same thickness, OD changing) 3: vertical expansion (the thickness changing, the same OD)				Examples : 06S:6 circuits signal@2A (5A options) 12S:12 circuits signal@2A (5A options)	C: standard D: industrial
					Examples : 0610:6 circuits@10A 1210:12 circuits@10A	
					Examples : 12:hole size: 12.7mm 25:hole size: 25.4mm 38:hole size: 38.1mm 50:hole size: 50mm	

Examples

K212-02S: K means Pancake slip ring, the first "2" means the shape of slip ring with horizontal expansion (the same thickness, OD changing), "12" means hole size 12.7mm, "02S" means 2 circuits signal.
K350-0610-06S: K Pancake slip ring, "3" means the shape of slip ring with vertical expansion (the thickness changing, the same OD), "50" means hole size 50 mm, "0610" means 6 circuits 10A current, "06S" means 6 circuits signal.

Model List

model	hole size(mm)	height(thickness)	Rings
K212	12.7	20	2~24
K225	25.4	22	2~48
K238	38.1	30	2~24
K250	50	30	2~48
K270	70	30	2~48
K312	12.7	15.8~77.4	2~24
K325	25.4	17.1~91.9	2~24
K338	38.1	17.1~91.9	2~24
K350	50	17.1~91.9	2~24
K380	80	18.2~88.6	2~24

Color Code of Lead Wire

ring #	1	2	3	4	5	6	7	8	9	10	11	12
color	BLK	BRN	RED	ORG	YEL	GRN	BLU	PUR	GRY	WHT	PINK	LGT BLU
ring#	13	14	15	16	17	18	19	20	21	22	23	24
color	WHT/BLK	WHT/BRN	WHT/RED	WHT/ORG	WHT/YEL	WHT/GRN	WHT/BLU	WHT/PUR	WHT/GRY	BLK/RED	BLK/BRN	Transparent

Remark: "1" : the first wire from rotor side , k212-06S wire color sequence: BLK/BRN/RED/ORG/YEL/GRN , 24 color wires as one group , if more than 24wires, repeat as sequence , use number tube to tell group 1#, 2#....



K212 series super thin PCB Slip Ring

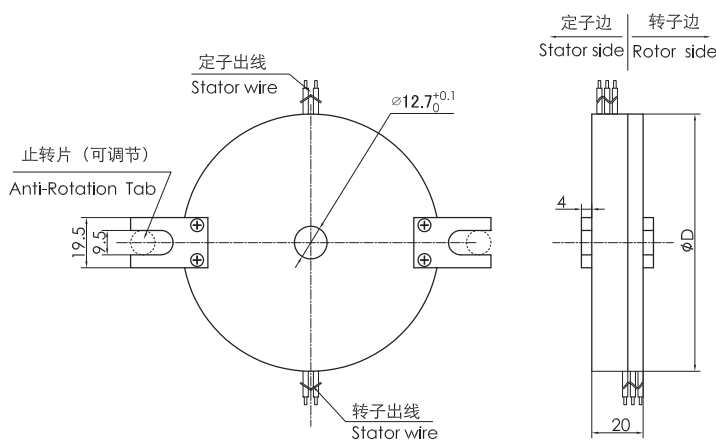
SenRing K212 series Pancake slip ring is a super thin slip ring, with hole size 12.7mm, thickness 20mm, OD ranges from 76mm-252mm. K212 series Pancake slip ring is mainly applied to those devices with limited space and strict limits of slip ring on thickness (height) but enough horizontal space(OD). Special vacuum sealing technology & precious metal brush ensure the high reliability transmitting and rotating performance of slip ring. With many advantages such as low torque, low friction, low electrical noise and long life. Standard models support 0-24 circuits power (10A)/signal or 0-12 circuits 20A power. If the standard model can not meet your requirements, pls contact us for custom solutions for special hole size、OD、thickness and circuit no.,etc.

Part No. Description

K212 - power circuits - signal circuits - Product grade	
K series Pancake Slip Ring Hole size:12.7mm; Thickness (height) 20mm Examples: 0610:6 circuits@10A 1210:12 circuits@10A	C:standard D:industrial Examples: 06S:6 circuits signal@2A (5A options) 12S:12 circuits signal@2A (5A options)

Examples

K212-02S: “K212” means:K212 series pancake slip ring, hole (size 12.7mm, thickness 20mm), “02S” means 2 circuits signal;
 K212-08S-D: “K212” means K212 series pancake slip ring(hole size 12.7mm, thickness 20mm), “08S” means 8 circuits signal. “D” means industrial grade;
 K212-1610-04S: “K212” means K212 series pancake slip ring(hole size 12.7mm, thickness 20mm), “1610” means 16 circuits current(10A each), “04S” means 4 circuits signal.



Model List

Model	signal/5A	10A	20A	OD(mm)
K212-02S	2	0	0	76
K212-0210	0	2	0	76
K212-0210-02S	2	2	0	92
K212-0410	0	4	0	92
K212-06S	6	0	0	108
K212-0610	0	6	0	108
K212-0620	0	0	6	108

Model	signal/5A	10A	20A	OD(mm)
K212-0210-04S	4	2	0	108
K212-12S	12	0	0	156
K212-1210	0	12	0	156
K212-1220	0	0	12	156
K212-0610-06S	6	6	0	156
K212-0620-06S	6	0	6	156
K212-18S	18	0	0	204
K212-1810	0	18	0	204
K212-0610-12S	12	6	0	204
K212-1210-06S	6	12	0	204
K212-0810-10S	10	8	0	204
K212-24S	24	0	0	252
K212-2410	0	24	0	252
K212-0610-18S	18	6	0	252
K212-1210-12S	12	12	0	252

*Remark:Circuits can be combined in parallel for bigger current,N circuits of 10A to get N*10A,such as 2 circuits of 10A in parallel for 20A use. if you need customize the hole size,OD,thickness,circuit no.and signal type of slip ring,pls contact the SenRing technician:186 7557 7111.

Technical Specification of the slip ring

Mechanical Data		Electrical Data		
spec	data	spec	data	
working life	refer to slip ring grade table		power	signal
Rotating speed	refer to slip ring grade table	voltage range	0~440VAC/VDC	0~240VAC/VDC
working temp.	-30℃ ~80℃	insulation resistance	≥ 1000MΩ/500VDC	≥ 1000MΩ/500VDC
work humidity	0~85%RH	lead wire spec.	AWG17# Silver-plated teflon	AWG22# Silver-plated teflon
contact material	refer to slip ring grade table			
housing material	aluminum alloy	lead wire length	standard 300mm (can be customized)	
torque	0.1N.m;+0.03N.m/6 circuits	Dielectric Strength	500VAC@50Hz, 60s	
IP grade	IP51	Electrical noise	<0.01Ω	

Grade code

Grade code	Max rotating speed	working life	contact material
C:standard	60RPM	3 millions	precious metal
D:industrial	200RPM	10 millions	gold-gold

Color Code of Lead Wire

ring #	1	2	3	4	5	6	7	8	9	10	11	12
color	BLK	BRN	RED	ORG	YEL	GRN	BLU	PUR	GRY	WHT	PINK	LGT BLU
ring#	13	14	15	16	17	18	19	20	21	22	23	24
color	WHT/BLK	WHT/BRN	WHT/RED	WHT/ORG	WHT/YEL	WHT/GRN	WHT/BLU	WHT/PUR	WHT/GRY	BLK/RED	BLK/BRN	Transparent

Remark: "1" : the first wire from rotor side , k212-06S wire color sequence: BLK/BRN/RED/ORG/YEL/GRN , 24 color wires as one group , if more than 24wires, repeat as sequence , use number tube to tell group 1#, 2#....



K225 Integral Pancake Slip Ring

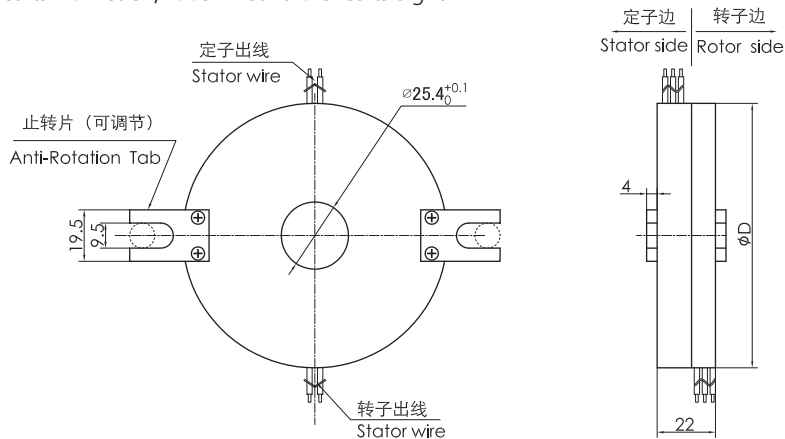
SenRing K225 series Pancake slip ring is a super thin slip ring, with hole size 25.4mm, thickness 22mm, OD ranges from 92mm~460mm. K225 series Pancake slip ring is mainly applied to those devices with limited space and strict limits of slip ring on thickness (height) but enough horizontal space(OD). Special vacuum sealing technology & precious metal brush ensure the high reliability transmitting and rotating performance of slip ring. With many advantages such as low torque, low friction, low electrical noise and long life. Standard models support 2-48 circuits 2~20A power/signal.

Part No. Description

K225 - power circuits - signal circuits - Product grade	
K series Pancake Slip Ring Hole size:25.4mm; Thickness (height) 22mm Examples: 0610:6 circuits@10A 1210:12 circuits@10A	C:standard D:industrial Examples: 06S:6 circuits signal@2A (5A options) 12S:12 circuits signal@2A (5A options)

Examples

K225-02S: K225 means K225 series Pancake slip ring (hole size 25.4mm, thickness 22mm), "02S" means 2 circuits signal;
 K225-1210-08S: K225 means K225 series Pancake slip ring (hole size 25.4mm, thickness 22mm), "1210" means 12 circuits 10A each, "08S" means 8 circuits signal.



Model List

Model	signal/5A	10A	20A	OD(mm)
K225-02S	2	0	0	92
K225-0210	0	2	0	92
K225-0210-02S	2	2	0	108
K225-0410	0	4	0	108
K225-06S	6	0	0	124
K225-0610	0	6	0	124
K225-0620	0	0	6	124
K225-0210-04S	4	2	0	124
K225-12S	12	0	0	172
K225-1210	0	12	0	172
K225-1220	0	0	12	172
K225-0610-06S	6	6	0	172

Model	signal/5A	10A	20A	OD(mm)
K225-0620-06S	6	0	6	172
K225-18S	18	0	0	216
K225-1810	0	18	0	216
K225-0610-12S	12	6	0	216
K225-1210-06S	6	12	0	216
K225-0810-10S	10	8	0	216
K225-24S	24	0	0	268
K225-2410	0	24	0	268
K225-0610-18S	18	6	0	268
K225-1210-12S	12	12	0	268
K225-36S	36	0	0	364
K225-48S	48	0	0	460

*Remark: Circuits can be combined in parallel for bigger current, N circuits of 10A to get N*10A, such as 2 circuits of 10A in parallel for 20A use. If you need to customize the hole size, OD, thickness, circuit no. and signal type of slip ring, please contact the SenRing technician: 186 7557 7111.

Technical Specification of the slip ring

Mechanical Data		Electrical Data		
spec	data	spec	data	
working life	refer to slip ring grade table		power	signal
Rotating speed	refer to slip ring grade table	voltage range	0~440VAC/VDC	0~240VAC/VDC
working temp.	-30℃~80℃	insulation resistance	≥1000MΩ/500VDC	≥1000MΩ/500VDC
work humidity	0~85%RH	lead wire spec.	AWG17# Silver-plated teflon	AWG22# Silver-plated teflon
contact material	refer to slip ring grade table			
housing material	aluminum alloy	lead wire length	standard 300mm (can be customized)	
torque	0.1N.m; +0.03N.m/6 circuits	Dielectric Strength	500VAC@50Hz, 60s	
IP grade	IP51	Electrical noise	<0.01Ω	

Grade code

Grade code	Max rotating speed	working life	contact material
C: standard	60RPM	3 millions	precious metal
D: industrial	200RPM	10 millions	gold-gold

Color Code of Lead Wire

ring #	1	2	3	4	5	6	7	8	9	10	11	12
color	BLK	BRN	RED	ORG	YEL	GRN	BLU	PUR	GRY	WHT	PINK	LGT BLU

ring#	13	14	15	16	17	18	19	20	21	22	23	24
color	WHT/BLK	WHT/BRN	WHT/RED	WHT/ORG	WHT/YEL	WHT/GRN	WHT/BLU	WHT/PUR	WHT/GRY	BLK/RED	BLK/BRN	Transparent

Remark: "1" : the first wire from rotor side, k225-06S wire color sequence: BLK/BRN/RED/ORG/YEL/GRN, 24 color wires as one group, if more than 24 wires, repeat as sequence, use number tube to tell group 1#, 2#....



K238 Integral Pancake Slip Ring

SenRing K238 series Pancake slip ring with super thin thickness, hole size 40mm, thickness 30mm, OD ranges from 120mm~488mm. K225 series Pancake slip ring is mainly applied to those devices with limited space and strict limits of slip ring on thickness (height) but enough horizontal space (OD). Special vacuum sealing technology & precious metal brush ensure the high reliability transmitting and rotating performance of slip ring. With many advantages such as low torque, low friction, low electrical noise and long life. Standard models support 2-48 circuits 2~20A power/signal.

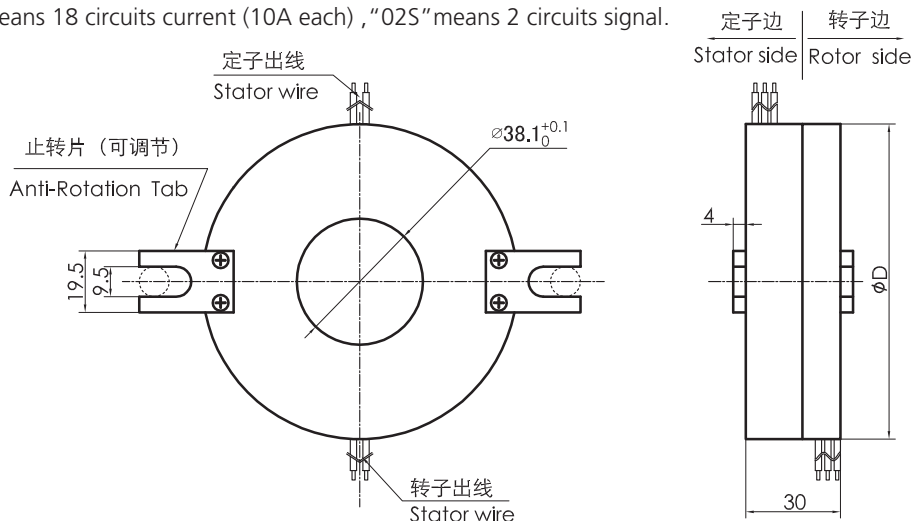
Part No. Description

K238 - power circuits - signal circuits - Product grade	
K series Pancake Slip Ring Hole size: 38.1mm; Thickness (height) 30mm Examples: 0610: 6 circuits@10A 1210: 12 circuits@10A	C: standard D: industrial Examples: 06S: 6 circuits signal@2A (5A options) 12S: 12 circuits signal@2A (5A options)

Examples

K238-02S: K238 means K238 series Pancake slip ring (hole size 38.1mm, thickness 30mm), "02S" means 2 circuits signal;

K238-1810-02S: K238 means K238 series Pancake slip ring (hole size 38.1mm, thickness 30mm), "1810" means 18 circuits current (10A each), "02S" means 2 circuits signal.



Model List

Model	signal/5A	10A	20A	OD(mm)
K238-02S	2	0	0	120
K238-0210	0	2	0	120
K238-0210-02S	2	2	0	136
K238-0410	0	4	0	136
K238-06S	6	0	0	152
K238-0610	0	6	0	152
K238-0620	0	0	6	152
K238-0210-04S	4	2	0	152
K238-12S	12	0	0	200
K238-1210	0	12	0	200
K238-1220	0	0	12	200

Model	signal/5A	10A	20A	OD(mm)
K238-0610-06S	6	6	0	200
K238-0620-06S	6	0	6	200
K238-18S	18	0	0	248
K238-1810	0	18	0	248
K238-0610-12S	12	6	0	248
K238-1210-06S	6	12	0	248
K238-0810-10S	10	8	0	248
K238-24S	24	0	0	196

*Remark: Circuits can be combined in parallel for bigger current, N circuits of 10A to get N*10A, such as 2 circuits of 10A in parallel for 20A use. if you need customize the hole size, OD, thickness, circuit no. and signal type of slip ring, pls contact the SenRing technician : 186 7557 7111.

Technical Specification of the slip ring

Mechanical Data		Electrical Data		
spec	data	spec	data	
working life	refer to slip ring grade table		power	signal
Rotating speed	refer to slip ring grade table	voltage range	0~440VAC/DC	0~240VAC/DC
working temp.	-30℃ ~80℃	insulation resistance	≥ 1000MΩ/500VDC	≥ 1000MΩ/500VDC
work humidity	0~85%RH	lead wire spec.	AWG17# Silver-plated teflon	AWG22# Silver-plated teflon
contact material	refer to slip ring grade table			
housing material	aluminum alloy	lead wire length	standard 300mm (can be customized)	
torque	0.1N.m; +0.03N.m/6 circuits	Dielectric Strength	500VAC@50Hz, 60s	
IP grade	IP51	Electrical noise	<0.01Ω	

Grade code

Grade code	Max rotating speed	working life	contact material
C: standard	60RPM	3 millions	precious metal
D: industrial	200RPM	10 millions	gold-gold

Color Code of Lead Wire

ring #	1	2	3	4	5	6	7	8	9	10	11	12
color	BLK	BRN	RED	ORG	YEL	GRN	BLU	PUR	GRY	WHT	PINK	LGT BLU
ring#	13	14	15	16	17	18	19	20	21	22	23	24
color	WHT/BLK	WHT/BRN	WHT/RED	WHT/ORG	WHT/YEL	WHT/GRN	WHT/BLU	WHT/PUR	WHT/GRY	BLK/RED	BLK/BRN	Transparent

Remark: "1" : the first wire from rotor side , k238-06S wire color sequence: BLK/BRN/RED/ORG/YEL/GRN , 24 color wires as one group , if more than 24wires, repeat as sequence , use number tube to tell group 1#, 2#....



K250 Pancake Slip Ring

SenRing K250(K250)series Pancake slip ring with super thin thickness, hole size 50mm,thickness 30mm,OD ranges from 140mm~580mm.K250(K250) series Pancake slip ring is mainly applied to those devices with limited space and strict limits of slip ring on thickness (height) but enough horizontal space(OD).Special vacuum sealing technology & precious metal brush ensure the high reliability transmitting and rotating performance of slip ring. With many advantages such as low torque ,low friction, low electrical noise and long life. Standard models support 2-48 circuits 2~20A power/signal.

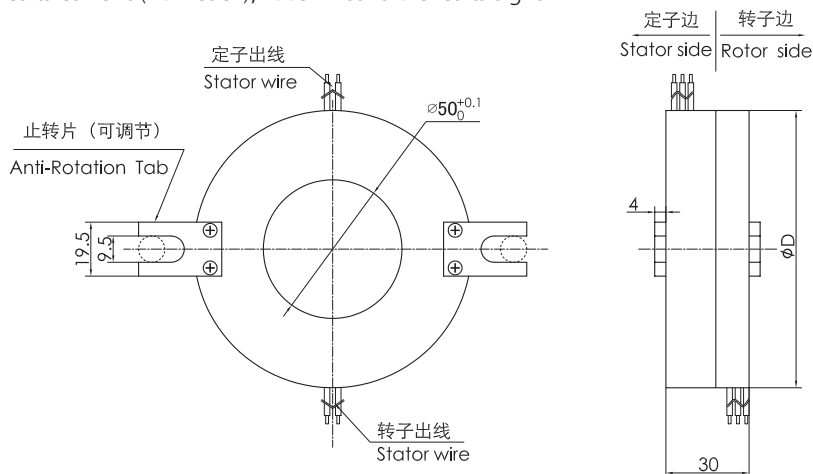
Part No. Description

K250 - power circuits - signal circuits - Product grade	
K series Pancake Slip Ring Hole size:50mm; Thickness (height) 30mm Examples: 0610:6 circuits@10A 1210:12 circuits@10A	C:standard D:industrial Examples: 06S:6 circuits signal@2A (5A options) 12S:12 circuits signal@2A (5A options)

Examples

K250-02S: K250 means K series Pancake slip ring (hole size 50mm,thickness 30mm), "02S" means 2 circuits signal;

K250-0620-06S: K250 means K250 series Pancake slip ring (hole size 50mm,thickness 30mm),"0620" means 6 circuits current (20A each),"06S" means 6 circuits signal.



Model List

Model	signal/5A	10A	20A	OD(mm)
K250-02S	2	0	0	140
K250-0210	0	2	0	140
K250-0210-02S	2	2	0	156
K250-0410	0	4	0	156
K250-06S	6	0	0	172
K250-0610	0	6	0	172
K250-0620	0	0	6	172
K250-0210-04S	4	2	0	172
K250-12S	12	0	0	220
K250-1210	0	12	0	220
K250-1220	0	0	12	220
K250-0610-06S	6	6	0	220

Model	signal/5A	10A	20A	OD(mm)
K250-0620-06S	6	0	6	220
K250-18S	18	0	0	268
K250-1810	0	18	0	268
K250-0610-12S	12	6	0	268
K250-1210-06S	6	12	0	268
K250-0810-10S	10	8	0	268
K250-24S	24	0	0	316
K250-2410	0	24	0	316
K250-0610-18S	18	6	0	316
K250-1210-12S	12	12	0	316
K225-36S	36	0	0	412
K225-48S	48	0	0	508

*Remark: Circuits can be combined in parallel for bigger current, N circuits of 10A to get N*10A, such as 2 circuits of 10A in parallel for 20A use. If you need to customize the hole size, OD, thickness, circuit no. and signal type of slip ring, please contact the SenRing technician: 186 7557 7111.

Technical Specification of the slip ring

Mechanical Data		Electrical Data		
spec	data	spec	data	
working life	refer to slip ring grade table			power
Rotating speed	refer to slip ring grade table	voltage range	0~440VAC/VDC	0~240VAC/VDC
working temp.	-30℃~80℃	insulation resistance	≥1000MΩ/500VDC	≥1000MΩ/500VDC
work humidity	0~85%RH	lead wire spec.	AWG17# Silver-plated teflon	AWG22# Silver-plated teflon
contact material	refer to slip ring grade table			
housing material	aluminum alloy	lead wire length	standard 300mm (can be customized)	
torque	0.1N.m; +0.03N.m/6 circuits	Dielectric Strength	500VAC@50Hz, 60s	
IP grade	IP51	Electrical noise	<0.01Ω	

Grade code

Grade code	Max rotating speed	working life	contact material
C: standard	60RPM	3 millions	precious metal
D: industrial	200RPM	10 millions	gold-gold

Color Code of Lead Wire

ring #	1	2	3	4	5	6	7	8	9	10	11	12
color	BLK	BRN	RED	ORG	YEL	GRN	BLU	PUR	GRY	WHT	PINK	LGT BLU
ring#	13	14	15	16	17	18	19	20	21	22	23	24
color	WHT/BLK	WHT/BRN	WHT/RED	WHT/ORG	WHT/YEL	WHT/GRN	WHT/BLU	WHT/PUR	WHT/GRY	BLK/RED	BLK/BRN	Transparent

Remark: "1": the first wire from rotor side, k250-06S wire color sequence: BLK/BRN/RED/ORG/YEL/GRN, 24 color wires as one group, if more than 24 wires, repeat as sequence, use number tube to tell group 1#, 2#....



K270 Pancake Slip Ring

SenRing K270 series Pancake slip ring with super thin thickness, hole size 70mm, thickness 30mm, OD ranges from 152mm~520mm. K270 series Pancake slip ring is mainly applied to those devices with limited space and strict limits of slip ring on thickness (height) but enough horizontal space (OD). Special vacuum sealing technology & precious metal brush ensure the high reliability transmitting and rotating performance of slip ring. With many advantages such as low torque, low friction, low electrical noise and long life. Standard models support 2-48 circuits 2~20A power/signal.

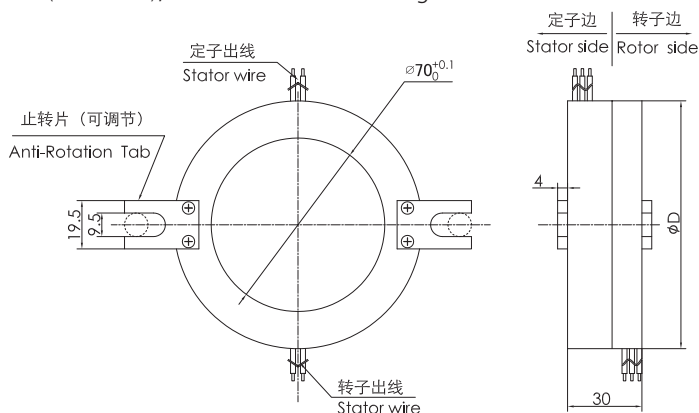
Part No. Description

K270 - power circuits - signal circuits - Product grade	
K series Pancake Slip Ring Hole size: 70mm; Thickness (height) 30mm Examples: 0610: 6 circuits@10A 1210: 12 circuits@10A	C: standard D: industrial Examples: 06S: 6 circuits signal@2A (5A options) 12S: 12 circuits signal@2A (5A options)

Examples

K270-02S: K270 means K270 series Pancake slip ring (hole size 70mm, thickness 30mm), "02S" means 2 circuits signal;

K270-0810-08S: K270 means K270 series Pancake slip ring (hole size 70mm, thickness 30mm), "0810" means 8 circuits current (10A each), "08S" means 8 circuits signal.



Model List

Model	signal/5A	10A	20A	OD(mm)
K270-02S	2	0	0	152
K270-0210	0	2	0	152
K270-0210-02S	2	2	0	168
K270-0410	0	4	0	168
K270-06S	6	0	0	184
K270-0610	0	6	0	184
K270-0620	0	0	6	184
K270-0210-04S	4	2	0	184
K270-12S	12	0	0	232
K270-1210	0	12	0	232
K270-1220	0	0	12	232

Model	signal/5A	10A	20A	OD(mm)
K270-0610-06S	6	6	0	232
K270-0620-06S	6	0	6	232
K270-18S	18	0	0	280
K270-1810	0	18	0	280
K270-0610-12S	12	6	0	280
K270-1210-06S	6	12	0	280
K270-0810-10S	10	8	0	280
K270-24S	24	0	0	328
K270-2410	0	24	0	328
K270-0610-18S	18	6	0	328
K270-1210-12S	12	12	0	328
K270-36S	36	0	0	424
K270-48S	48	0	0	520

*Remark: Circuits can be combined in parallel for bigger current, N circuits of 10A to get N*10A, such as 2 circuits of 10A in parallel for 20A use. If you need to customize the hole size, OD, thickness, circuit no. and signal type of slip ring, please contact the SenRing technician: 186 7557 7111.

Technical Specification of the slip ring

Mechanical Data		Electrical Data		
spec	data	spec	data	
working life	refer to slip ring grade table		power	signal
Rotating speed	refer to slip ring grade table	voltage range	0~440VAC/VDC	0~240VAC/VDC
working temp.	-30℃~80℃	insulation resistance	≥1000MΩ/500VDC	≥1000MΩ/500VDC
work humidity	0~85%RH	lead wire spec.	AWG17# Silver-plated teflon	AWG22# Silver-plated teflon
contact material	refer to slip ring grade table			
housing material	aluminum alloy	lead wire length	standard 300mm (can be customized)	
torque	0.1N.m; +0.03N.m/6 circuits	Dielectric Strength	500VAC@50Hz, 60s	
IP grade	IP51	Electrical noise	<0.01Ω	

Grade code

Grade code	Max rotating speed	working life	contact material
C: standard	60RPM	3 millions	precious metal
D: industrial	200RPM	10 millions	gold-gold

Color Code of Lead Wire

ring #	1	2	3	4	5	6	7	8	9	10	11	12
color	BLK	BRN	RED	ORG	YEL	GRN	BLU	PUR	GRY	WHT	PINK	LGT BLU
ring#	13	14	15	16	17	18	19	20	21	22	23	24
color	WHT/BLK	WHT/BRN	WHT/RED	WHT/ORG	WHT/YEL	WHT/GRN	WHT/BLU	WHT/PUR	WHT/GRY	BLK/RED	BLK/BRN	Transparent

Remark: "1" : the first wire from rotor side, k270-06S wire color sequence: BLK/BRN/RED/ORG/YEL/GRN, 24 color wires as one group, if more than 24 wires, repeat as sequence, use number tube to tell group 1#, 2#....



K312 series Pancake Slip Ring

K312 series Pancake Slip Ring, hole size 12.7mm, OD 56mm, thickness ranges from 15.8-77.4mm. With AL alloy structure, precious metal + gold plating contact material which ensures stable rotation and low resistance fluctuation. Mainly applied to those devices with limited space and strict limits of slip ring on thickness (height) but enough horizontal space (OD).

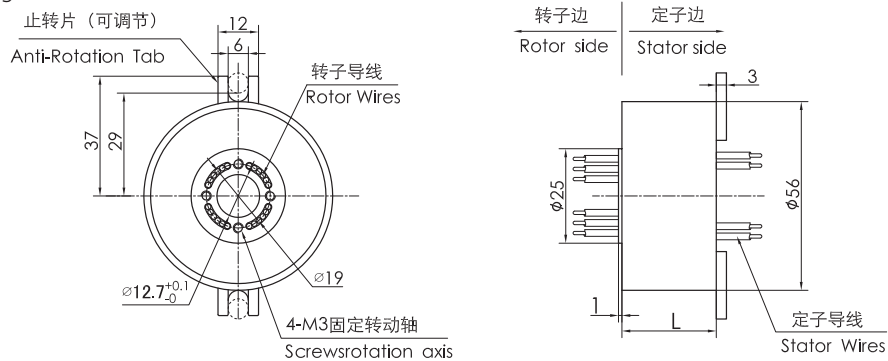
Part No. Description

	K312	- power circuits	- signal circuits	- Product grade	
K series Pancake Slip Ring Hole size: 12.7mm; OD: 56mm					C: standard D: industrial
Examples: 0610: 6 circuits@10A 1210: 12 circuits@10A				Examples: 06S: 6 circuits signal@2A (5A options) 12S: 12 circuits signal@2A (5A options)	

Examples

K312-02S: K312 means K312 series Pancake Slip Ring, (hole size: 12.7mm, OD: 56mm, thickness: 15.8mm), 02S means 2 circuits signal;

K312-0810-10S: K312 means K312 series Pancake Slip Ring, (hole size: 12.7mm, OD: 56mm, thickness: 60.6mm), "0810" means 8 circuits current (10A each), 10S means 10 circuits signal.



Model List

Model	signal/5A	10A	20A	Length L(mm)
K312-02S	2	0	0	15.8
K312-0210	0	2	0	15.8
K312-0210-02S	2	2	0	21.4
K312-0410	0	4	0	21.4
K312-06S	6	0	0	27
K312-0610	0	6	0	27
K312-0620	0	0	6	27
K312-0210-04S	4	2	0	27
K312-12S	12	0	0	43.8
K312-1210	0	12	0	43.8
K312-1220	0	0	12	43.8
K312-0610-06S	6	6	0	43.8
K312-0620-06S	6	0	6	43.8
K312-18S	18	0	0	60.6

Model	signal/5A	10A	20A	Length L(mm)
K312-1810	0	18	0	60.6
K312-0610-12S	12	6	0	60.6
K312-1210-06S	6	12	0	60.6
K312-0810-10S	10	8	0	60.6
K312-24S	24	0	0	77.4
K312-2410	0	24	0	77.4
K312-0610-18S	18	6	0	77.4
K312-1210-12S	12	12	0	77.4

*Remark: Circuits can be combined in parallel for bigger current, N circuits of 10A to get N*10A, such as 2 circuits of 10A in parallel for 20A use. if you need customize the hole size, OD, thickness, circuit no. and signal type of slip ring, pls contact the SenRing technician : 186 7557 7111.

Technical Specification of the slip ring

Mechanical Data		Electrical Data		
spec	data	spec	data	
working life	refer to slip ring grade table		power	signal
Rotating speed	refer to slip ring grade table	voltage range	0~440VAC/VDC	0~240VAC/VDC
working temp.	-30℃~80℃	insulation resistance	≥1000MΩ/500VDC	≥1000MΩ/500VDC
work humidity	0~85%RH	lead wire spec.	AWG17# Silver-plated teflon	AWG22# Silver-plated teflon
contact material	refer to slip ring grade table			
housing material	aluminum alloy	lead wire length	standard 300mm (can be customized)	
torque	0.1N.m; +0.03N.m/6 circuits	Dielectric Strength	500VAC@50Hz, 60s	
IP grade	IP51	Electrical noise	<0.01Ω	

Grade code

Grade code	Max rotating speed	working life	contact material
C: standard	60RPM	3 millions	precious metal
D: industrial	200RPM	10 millions	gold-gold

Color Code of Lead Wire

ring #	1	2	3	4	5	6	7	8	9	10	11	12
color	BLK	BRN	RED	ORG	YEL	GRN	BLU	PUR	GRY	WHT	PINK	LGT BLU
ring#	13	14	15	16	17	18	19	20	21	22	23	24
color	WHT/BLK	WHT/BRN	WHT/RED	WHT/ORG	WHT/YEL	WHT/GRN	WHT/BLU	WHT/PUR	WHT/GRY	BLK/RED	BLK/BRN	Transparent

Remark: "1" : the first wire from rotor side , k312-06S wire color sequence: BLK/BRN/RED/ORG/YEL/GRN , 24 color wires as one group , if more than 24wires, repeat as sequence , use number tube to tell group 1#, 2#....



K325 series Pancake Slip Ring

K325 series Pancake Slip Ring, hole size 25.4mm, OD 86mm, thickness ranges from 17.1~91.9mm .With AL alloy structure, sprecious metal +gold plating contact material which ensures stable rotation and low resistance fluctuation. Mainly applied to those devices with limited space and strict limits of slip ring on thickness (height) but enough horizontal space(OD).

Part No. Description

K325 - power circuits - signal circuits - Product grade

K series Pancake Slip Ring
Hole size:25.4mm;
OD:86mm

C:standard
D:industrial

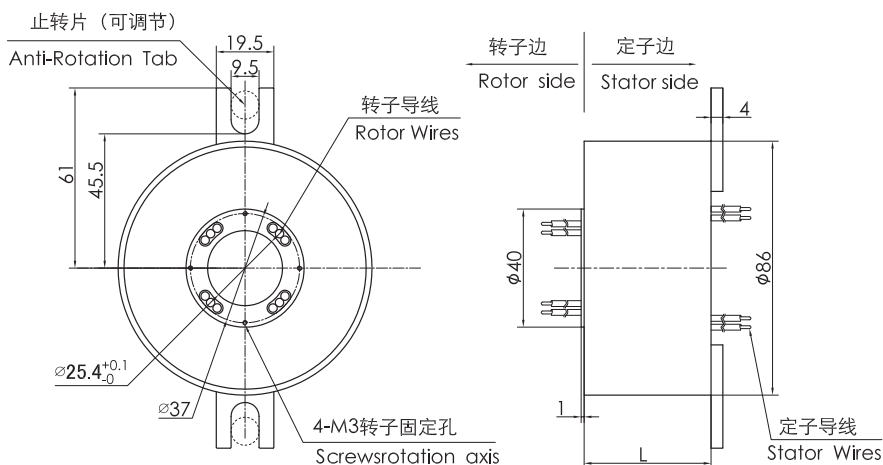
Examples:
0610:6 circuits@10A
1210:12 circuits@10A

Examples:
06S:6 circuits signal@2A (5A options)
12S:12 circuits signal@2A (5A options)

Examples

K325-02S: "K325" means K325 series Pancake Slip Ring,(hole size:25.4mm.OD:86mm),02S means 2 circuits signal,thickness:17.1mm,as the following form;

KK325-0210-04S: "K325" means K325 series Pancake Slip Ring,(hole size:25.4mm.OD:86mm),"0210" means 2 circuits cruuten(10A each), 04S means 4 circuits signal,thickness:30.7mm,as the following form.



Model List

Model	signal/5A	10A	20A	Length L(mm)
K325-02S	2	0	0	17.1
K325-0210	0	2	0	17.1
K325-0210-02S	2	2	0	23.9
K325-0410	0	4	0	23.9
K325-06S	6	0	0	30.7
K325-0610	0	6	0	30.7
K325-0620	0	0	6	30.7
K325-0210-04S	4	2	0	30.7
K325-12S	12	0	0	51.1
K325-1210	0	12	0	51.1
K325-1220	0	0	12	51.1
K325-0610-06S	6	6	0	51.1
K325-0620-06S	6	0	6	51.1

Model	signal/5A	10A	20A	Length L(mm)
K325-18S	18	0	0	71.5
K325-1810	0	18	0	71.5
K325-0610-12S	12	6	0	71.5
K325-1210-06S	6	12	0	71.5
K325-0810-10S	10	8	0	71.5
K325-24S	24	0	0	91.9
K325-2410	0	24	0	91.9
K325-0610-18S	18	6	0	91.9
K325-1210-12S	12	12	0	91.9

*Remark:Circuits can be combined in parallel for bigger current,N circuits of 10A to get N*10A,such as 2 circuits of 10A in parallel for 20A use. if you need customize the hole size,OD,thickness,circuit no.and signal type of slip ring,pls contact the SenRing technician :186 7557 7111.

Technical Specification of the slip ring

Mechanical Data		Electrical Data		
spec	data	spec	data	
working life	refer to slip ring grade table		power	signal
Rotating speed	refer to slip ring grade table	voltage range	0~440VAC/VDC	0~240VAC/VDC
working temp.	-30℃~80℃	insulation resistance	≥1000MΩ/500VDC	≥1000MΩ/500VDC
work humidity	0~85%RH	lead wire spec.	AWG17# Silver-plated teflon	AWG22# Silver-plated teflon
contact material	refer to slip ring grade table			
housing material	aluminum alloy	lead wire length	standard 300mm (can be customized)	
torque	0.1N.m;+0.03N.m/6 circuits	Dielectric Strength	500VAC@50Hz, 60s	
IP grade	IP51	Electrical noise	<0.01Ω	

Grade code

Grade code	Max rotating speed	working life	contact material
C:standard	60RPM	3 millions	precious metal
D:industrial	200RPM	10 millions	gold-gold

Color Code of Lead Wire

ring #	1	2	3	4	5	6	7	8	9	10	11	12
color	BLK	BRN	RED	ORG	YEL	GRN	BLU	PUR	GRY	WHT	PINK	LGT BLU
ring#	13	14	15	16	17	18	19	20	21	22	23	24
color	WHT/BLK	WHT/BRN	WHT/RED	WHT/ORG	WHT/YEL	WHT/GRN	WHT/BLU	WHT/PUR	WHT/GRY	BLK/RED	BLK/BRN	Transparent

Remark: "1" : the first wire from rotor side , k325-06S wire color sequence: BLK/BRN/RED/ORG/YEL/GRN , 24 color wires as one group , if more than 24wires, repeat as sequence , use number tube to tell group 1#, 2#....



K338series Pancake Slip Ring

K338 series Pancake Slip Ring, hole size 38.1mm, OD 99mm, thickness ranges from 17.1~91.9mm. With AL alloy structure, precious metal + gold plating contact material which ensures stable rotation and low resistance fluctuation. Mainly applied to those devices with limited space and strict limits of slip ring on thickness (height) but enough horizontal space (OD).

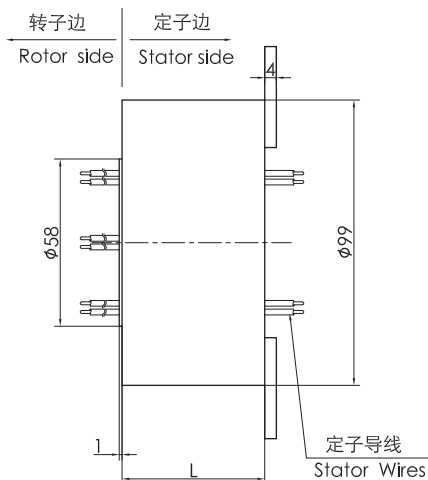
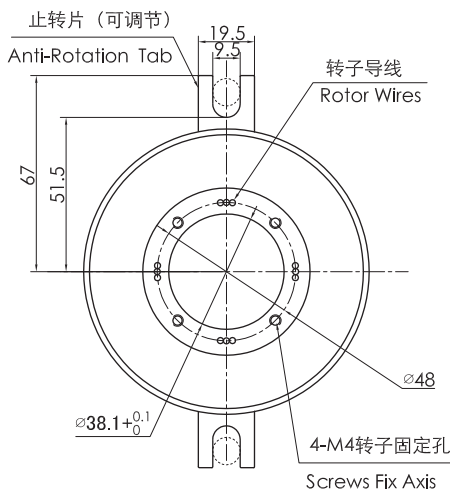
Part No. Description

K338 - power circuits - signal circuits - Product grade	
K series Pancake Slip Ring Hole size:38.1mm; OD:99mm Examples: 0610:6 circuits@10A 1210:12 circuits@10A	C:standard D:industrial Examples: 06S:6 circuits signal@2A (5A options) 12S:12 circuits signal@2A (5A options)

Examples

K338-02S: K338 means K338 series Pancake Slip Ring, (hole size:38.1mm.OD:99mm), 02S means 2 circuits signal, thickness:17.17mm, as the following form;

K338-1210-06S: K338 means K338 series Pancake Slip Ring, (hole size:38.1mm.OD:99mm), "1210" means 12 circuits current (10A each), 06S means 6 circuits signal, thickness:71.5mm, as the following form.



Model List

Model	signal/5A	10A	20A	Length L(mm)
K338-02S	2	0	0	17.1
K338-0210	0	2	0	17.1
K338-0210-02S	2	2	0	23.9
K338-0410	0	4	0	23.9
K338-06S	6	0	0	30.7
K338-0610	0	6	0	30.7
K338-0620	0	0	6	30.7
K338-0210-04S	4	2	0	30.7
K338-12S	12	0	0	51.1
K338-1210	0	12	0	51.1
K338-1220	0	0	12	51.1
K338-0610-06S	6	6	0	51.1
K338-0620-06S	6	0	6	51.1

Model	signal/5A	10A	20A	Length L(mm)
K338-18S	18	0	0	71.5
K338-1810	0	18	0	71.5
K338-0610-12S	12	6	0	71.5
K338-1210-06S	6	12	0	71.5
K338-0810-10S	10	8	0	71.5
K338-24S	24	0	0	91.9
K338-2410	0	24	0	91.9
K338-0610-18S	18	6	0	91.9
K338-1210-12S	12	12	0	91.9

*Remark: Circuits can be combined in parallel for bigger current, N circuits of 10A to get N*10A, such as 2 circuits of 10A in parallel for 20A use. if you need customize the hole size, OD, thickness, circuit no. and signal type of slip ring, pls contact the SenRing technician : 186 7557 7111.

Technical Specification of the slip ring

Mechanical Data		Electrical Data		
spec	data	spec	data	
working life	refer to slip ring grade table		power	signal
Rotating speed	refer to slip ring grade table	voltage range	0~440VAC/VDC	0~240VAC/VDC
working temp.	-30℃~80℃	insulation resistance	≥1000MΩ/500VDC	≥1000MΩ/500VDC
work humidity	0~85%RH	lead wire spec.	AWG17# Silver-plated teflon	AWG22# Silver-plated teflon
contact material	refer to slip ring grade table			
housing material	aluminum alloy	lead wire length	standard 300mm (can be customized)	
torque	0.1N.m; +0.03N.m/6 circuits	Dielectric Strength	500VAC@50Hz, 60s	
IP grade	IP51	Electrical noise	<0.01Ω	

Grade code

Grade code	Max rotating speed	working life	contact material
C: standard	60RPM	3 millions	precious metal
D: industrial	200RPM	10 millions	gold-gold

Color Code of Lead Wire

ring #	1	2	3	4	5	6	7	8	9	10	11	12
color	BLK	BRN	RED	ORG	YEL	GRN	BLU	PUR	GRY	WHT	PINK	LGT BLU
ring#	13	14	15	16	17	18	19	20	21	22	23	24
color	WHT/BLK	WHT/BRN	WHT/RED	WHT/ORG	WHT/YEL	WHT/GRN	WHT/BLU	WHT/PUR	WHT/GRY	BLK/RED	BLK/BRN	Transparent

Remark: "1" : the first wire from rotor side , k338-06S wire color sequence: BLK/BRN/RED/ORG/YEL/GRN , 24 color wires as one group , if more than 24wires, repeat as sequence , use number tube to tell group 1#, 2#....



K350 series Pancake Slip Ring

K350 series Pancake Slip Ring, its hole size 50mm, OD 119mm, thickness ranges from 17.1~91.9mm. With fully aluminum alloy shell, its contact material treated with precious metal and super hard gold-plated, can make sure stable operation and low resistance fluctuation. Mainly applied to assemble any devices in the environment with limited height or horizontal space is unrestricted essentially.

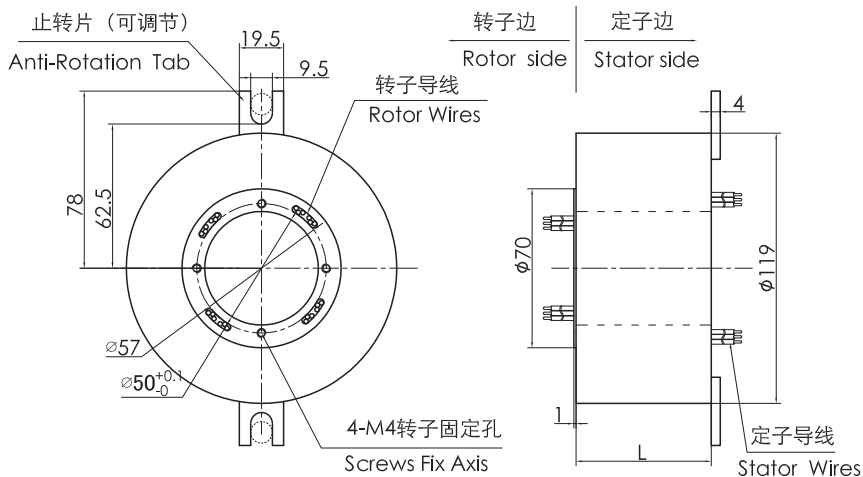
Part No. Description

K350 - power circuits - signal circuits - Product grade	
K series Pancake Slip Ring Hole size:50mm; OD:119mm Examples: 0610:6 circuits@10A 1210:12 circuits@10A	C:standard D:industrial Examples: 06S:6 circuits signal@2A (5A options) 12S:12 circuits signal@2A (5A options)

Examples

K350-12S: "K350" means K350 series Pancake Slip Ring, (hole size:50mm.OD:119mm), 1S means 1 circuit signal, thickness:51.1mm;

K350-1210-06S: "K350" means K350 series Pancake Slip Ring, (hole size:50mm.OD:119mm), "1210" means 12 circuits current (10A each), 06S means 6 circuits signal, thickness:71.5mm;



Model List

Model	signal/5A	10A	20A	Length L(mm)
K350-02S	2	0	0	17.1
K350-0210	0	2	0	17.1
K350-0210-02S	2	2	0	23.9
K350-0410	0	4	0	23.9
K350-06S	6	0	0	30.7
K350-0610	0	6	0	30.7
K350-0620	0	0	6	30.7
K350-0210-04S	4	2	0	30.7
K350-12S	12	0	0	51.1
K350-1210	0	12	0	51.1
K350-1220	0	0	12	51.1
K350-0610-06S	6	6	0	51.1

Model	signal/5A	10A	20A	Length L(mm)
K350-0620-06S	6	0	6	51.1
K350-18S	18	0	0	71.5
K350-1810	0	18	0	71.5
K350-0610-12S	12	6	0	71.5
K350-1210-06S	6	12	0	71.5
K350-0810-10S	10	8	0	71.5
K350-24S	24	0	0	91.9
K350-2410	0	24	0	91.9
K350-0610-18S	18	6	0	91.9
K350-1210-12S	12	12	0	91.9

*Remark:Circuits can be combined in parallel for bigger current,N circuits of 10A to get N*10A,such as 2 circuits of 10A in parallel for 20A use. if you need customize the hole size,OD,thickness,circuit no.and signal type of slip ring,pls contact the SenRing technician :186 7557 7111.

Technical Specification of the slip ring

Mechanical Data		Electrical Data		
spec	data	spec	data	
working life	refer to slip ring grade table		power	signal
Rotating speed	refer to slip ring grade table	voltage range	0~440VAC/VDC	0~240VAC/VDC
working temp.	-30℃~80℃	insulation resistance	≥1000MΩ/500VDC	≥1000MΩ/500VDC
work humidity	0~85%RH	lead wire spec.	AWG17# Silver-plated teflon	AWG22# Silver-plated teflon
contact material	refer to slip ring grade table			
housing material	aluminum alloy	lead wire length	standard 300mm (can be customized)	
torque	0.1N.m;+0.03N.m/6 circuits	Dielectric Strength	500VAC@50Hz, 60s	
IP grade	IP51	Electrical noise	<0.01Ω	

Grade code

Grade code	Max rotating speed	working life	contact material
C:standard	60RPM	3 millions	precious metal
D:industrial	200RPM	10 millions	gold-gold

Color Code of Lead Wire

ring #	1	2	3	4	5	6	7	8	9	10	11	12
color	BLK	BRN	RED	ORG	YEL	GRN	BLU	PUR	GRY	WHT	PINK	LGT BLU
ring#	13	14	15	16	17	18	19	20	21	22	23	24
color	WHT/BLK	WHT/BRN	WHT/RED	WHT/ORG	WHT/YEL	WHT/GRN	WHT/BLU	WHT/PUR	WHT/GRY	BLK/RED	BLK/BRN	Transparent

Remark: "1" : the first wire from rotor side , k350-06S wire color sequence: BLK/BRN/RED/ORG/YEL/GRN , 24 color wires as one group , if more than 24wires, repeat as sequence , use number tube to tell group 1#, 2#....



K380 series Pancake Slip Ring

K380 series Pancake Slip Ring, hole size 80mm, OD 156mm, thickness ranges from 18.2~88.6mm. With AL alloy structure, precious metal + gold plating contact material which ensures stable rotation and low resistance fluctuation. Mainly applied to those devices with limited space and strict limits of slip ring on thickness (height) but enough horizontal space (OD).

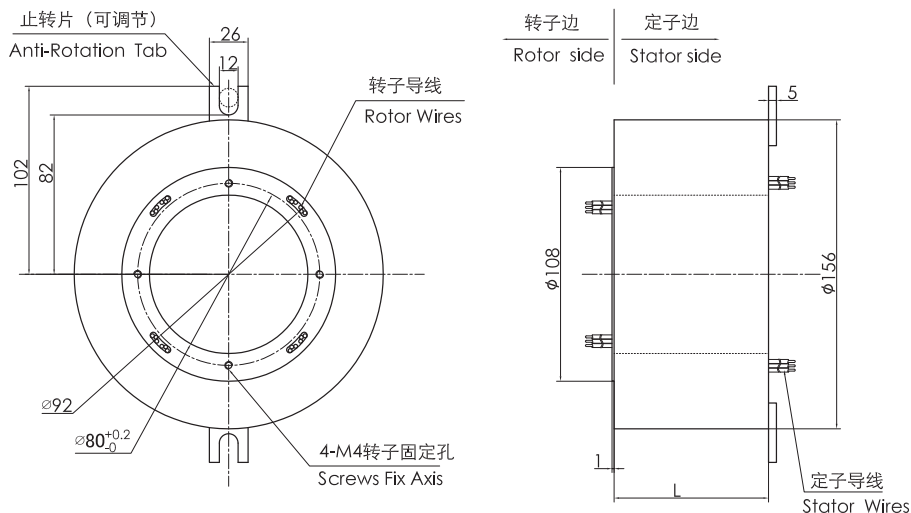
Part No. Description

K380 - power circuits - signal circuits - Product grade	
K series Pancake Slip Ring Hole size:80mm; OD:156mm Examples: 0610:6 circuits@10A 1210:12 circuits@10A	C:standard D:industrial Examples: 06S:6 circuits signal@2A (5A options) 12S:12 circuits signal@2A (5A options)

Examples

K380-02S: "K380" means K380 series Pancake Slip Ring, (hole size:80mm, OD:156mm), 02S means 2 circuits signal, thickness:18.2mm;

K380-1210-06S: "K380" means K380 series Pancake Slip Ring, (hole size:80mm, OD:156mm), "1210" means 12 circuits current (10A each), 06S means 6 circuits signal, thickness:69.4mm.



Model List

Model	signal/5A	10A	20A	Length L(mm)
K380-02S	2	0	0	18.2
K380-0210	0	2	0	18.2
K380-0210-02S	2	2	0	24.6
K380-0410	0	4	0	24.6
K380-06S	6	0	0	31
K380-0610	0	6	0	31
K380-0620	0	0	6	31
K380-0210-04S	4	2	0	31
K380-12S	12	0	0	50.2
K380-1210	0	12	0	50.2
K380-1220	0	0	12	50.2

Model	signal/5A	10A	20A	Length L(mm)
K380-0610-06S	6	6	0	50.2
K380-0620-06S	6	0	6	50.2
K380-18S	18	0	0	69.4
K380-1810	0	18	0	69.4
K380-0610-12S	12	6	0	69.4
K380-1210-06S	6	12	0	69.4
K380-0810-10S	10	8	0	69.4
K380-24S	24	0	0	88.6
K380-2410	0	24	0	88.6
K380-0610-18S	18	6	0	88.6
K380-1210-12S	12	12	0	88.6

*Remark:Circuits can be combined in parallel for bigger current,N circuits of 10A to get N*10A,such as 2 circuits of 10A in parallel for 20A use. if you need customize the hole size,OD,thickness,circuit no.and signal type of slip ring,pls contact the SenRing technician :186 7557 7111.

Technical Specification of the slip ring

Mechanical Data		Electrical Data		
spec	data	spec	data	
working life	refer to slip ring grade table		power	signal
Rotating speed	refer to slip ring grade table	voltage range	0~440VAC/VDC	0~240VAC/VDC
working temp.	-30℃~80℃	insulation resistance	≥1000MΩ/500VDC	≥1000MΩ/500VDC
work humidity	0~85%RH	lead wire spec.	AWG17# Silver-plated teflon	AWG22# Silver-plated teflon
contact material	refer to slip ring grade table			
housing material	aluminum alloy	lead wire length	standard 300mm (can be customized)	
torque	0.1N.m;+0.03N.m/6 circuits	Dielectric Strength	500VAC@50Hz, 60s	
IP grade	IP51	Electrical noise	<0.01Ω	

Grade code

Grade code	Max rotating speed	working life	contact material
C:standard	60RPM	3 millions	precious metal
D:industrial	200RPM	10 millions	gold-gold

Color Code of Lead Wire

ring #	1	2	3	4	5	6	7	8	9	10	11	12
color	BLK	BRN	RED	ORG	YEL	GRN	BLU	PUR	GRY	WHT	PINK	LGT BLU
ring#	13	14	15	16	17	18	19	20	21	22	23	24
color	WHT/BLK	WHT/BRN	WHT/RED	WHT/ORG	WHT/YEL	WHT/GRN	WHT/BLU	WHT/PUR	WHT/GRY	BLK/RED	BLK/BRN	Transparent

Remark: "1" : the first wire from rotor side , k380-06S wire color sequence: BLK/BRN/RED/ORG/YEL/GRN , 24 color wires as one group , if more than 24wires, repeat as sequence , use number tube to tell group 1#, 2#....