

B Series Industrial Bus Slip Rings

Senring SNB series Industrial Bus Signal Slip Ring includes all kinds of Industrial Bus Signal Slip Rings, such as: Canbus, Profibus, RS-232, USB, 1000M Ethernet, coaxial RF, VGA, etc., it can meet the needs to transmit various signals accurately at the meantime through one slip ring when devices 360° rotating. B series advantages: independent design patent, cost-effective, high data transmitting speed and stable performance. The contact materials adopt the technology of precious metal + hard gold plating, strongly wear resistant and antioxidative character ensures long working life.

Main Features

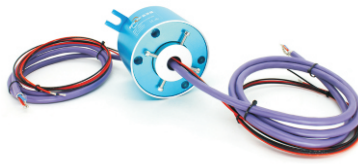
- Accurately transmit high speed data;
- Stably transmit all kinds of signals, such as, RS-232, RS-485, RS-422, VGA, etc.;
- Accurately transmit all kinds of industrial bus signals, such as: Profibus, LonWorks, CanBus, DeviceNet, ControlNet;
- Transmit mixed signals, such as, USB, HDMI, 1000M ethernet, fiber optic, VGA, DVI, coaxial RF (high frequency), etc.;
- Stably transmit Ethernet data (10M / 100M / 1000M BaseT);



Photos of Some Products



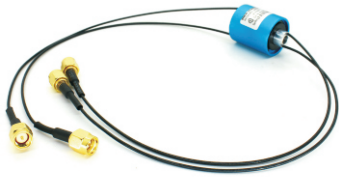
100M/1000M Ethernet signal+electricity



Profibus slip ring



Device Net signal+hybrid pneumatic and electricity slip ring



Coaxial cable signal slip ring



VGA signal+encoder signal slip ring



HDMI+USB2.0 signal slip ring



1000M Ethernet+HD video slip ring



Industrial Ethernet bus data slip ring



Servo motor encoder slip ring

Part No. description

B boundary dimension power circuits signal circuits signal Channels/code

B: Industrial bus slip ring

For example:

M056: M : solid without hole
056: OD 56mm
H1286: H through hole
1286 : ID 12.7mm, OD 86mm

For example:

0610: 06: 6 circuits, 10: 10A
1230: 12: 12 circuits, 30 : 30A

For example:

02E: 2 channels 1000M Ethernet (total 18 circuits)
03U: 3 channels USB2.0 (total 15 circuits)
More signal type pls refer to below list

For example:

06S: 06: 6 circuits, S: signal
12S: 12: 12 circuits, S: signal

Code list of signal type:

- F - 100M Ethernet (10, 100 BaseT Ethernet) - RJ45 (4circuits)
- E - 1000M Ethernet (1000 BaseT Ethernet) - RJ45 (9circuits)
- P - Profibus (Profibus - 4-Pin D-Sub) (4circuits)
- C - Canbus (Canbus - 4-Pin D-Sub) (4circuits)
- D - Device Net - 5 Pin Micro Change (5 circuits)
- T - Control Net - 75Ω BNC (4circuits)
- V - VGA (9circuits)
- H - HDMI (19circuits)
- U - USB 2.0 (5circuits)
- Q - Coaxial signal (Coax - 75 Ω BNC)(2circuits)
- R - RS485 (3circuits)
- R1 - RS422(5circuits)
- R2 - RS232(10circuits)
- B - Servo motor encoder signal(8circuits)
- E1 - Industrial Ethernet (9circuits)

Model List

Model	Hole size	OD	Max circuits no.	Max voltage	Signal type(optional)
BM056	without hole(solid)	56mm	2~36wires	240VAC/DC	100M/1000M Ethernet, Profibus, CanBus, Device Net, RS485, RS422, RS232, Control Net, VGA, USB 2.0, HDMI, coaxial signal, Servo motor Encoder signal, industrial Ethernet, HD-SDI signal, RF signal, etc.
BM099	without hole(solid)	99mm	2~120wires	440VAC/DC	
BH1286	12.7mm	86mm	2~96wires	440VAC/DC	
BH2599	25.4mm	99mm	2~96wires	690VAC/DC	
BH38120	38.1mm	120mm	2~168wires	690VAC/DC	
BH50130	50mm	130mm	2~96wires	440VAC/DC	

Example

BM056-0610-02U: Industrial bus slip ring, total, total 16 circuits, without hole(solid), OD 56mm, 6 circuits@10A+2 channel USB2.0.

BH50130-0410-02U-03E-01C: Industrial bus slip ring, total 45 circuits, hole size 50mm, OD 130mm, 4 circuits@10A+2 channel USB2.0+3channel (1000M)Gigabit Ethernet+1 channel CanBus.

*Remark: Any special requirements for hole size, OD, Length, signal type, exit position of cables, please feel free to contact us.

Color code of Lead Wire

ring#	1	2	3	4	5	6	7	8	9	10	11	12
color	BLK	BRN	RED	ORG	YEL	GRN	BLU	PUR	GRY	WHT	PINK	LGT BLU
ring#	13	14	15	16	17	18	19	20	21	22	23	24
color	WHT/BLK	WHT/BRN	WHT/RED	WHT/ORG	WHT/YEL	WHT/GRN	WHT/BLU	WHT/PUR	WHT/GRY	BLK/RED	BLK/BRN	Transparent

Remark: "1" : the first wire from rotor side, BM056-0610-02U wire color

sequence: black, brown, red, orange, yellow, green, blue, purple, grey, white, pink, lightblue, 24 color wires as one group, if more than 24wires, repeat as sequence, use number tube to tell group 1#, 2#...

BM056 Series Industrial Bus Slip Rings



without hole(solid) OD:56mm

Senring BM056 Series Industrial Bus Slip Ring includes all kinds of Industrial Bus Signal Slip Rings, such as HDMI,HD-SDI, GbE(gigabit Ethernet),RS-232,RS-485,RS-422,Profibus, etc.

Part No. description

BM056 - power circuits - signal circuits - signal Channels/code	
BM056: Industrial Bus Slip Rings without hole(solid) OD:56mm For example:: 0610:6circuits@10A 1230:12circuits@30A	For example: 02E:2 channel 1000M Ethernet(total 18circuits) 03U:3 channel USB2.0(total 15circuits) More signal type pls refer to below list S: signal, For example: 08S:8circuits signal@2A 12S:12circuits signal@2A

Code list of signal type:

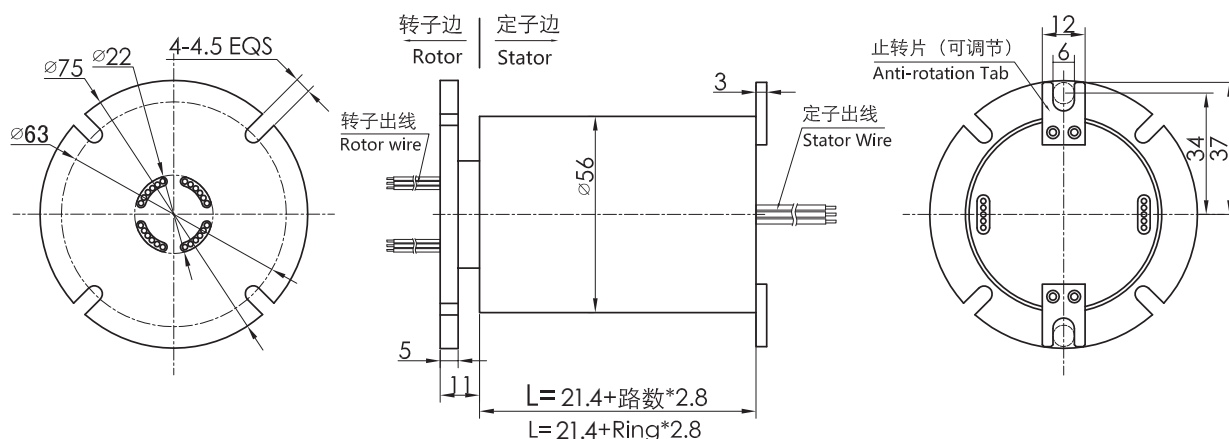
- F - 100M Ethernet (10, 100 BaseT Ethernet) - RJ45 (4circuits)
- E - 1000M Ethernet (1000 BaseT Ethernet) - RJ45 (9circuits)
- P - Profibus (Profibus - 4-Pin D-Sub) (4circuits)
- C - Canbus (Canbus - 4-Pin D-Sub) (4circuits)
- D - Device Net - 5 Pin Micro Change (5 circuits)
- T - Control Net - 75Ω BNC (4circuits)
- V - VGA (9circuits)
- H - HDMI (19circuits)
- U - USB 2.0 (5circuits)
- Q - Coaxial signal (Coax - 75 Ω BNC)(2circuits)
- R - RS485 (3circuits)
- R1 - RS422(5circuits)
- R2 - RS232(10circuits)
- B - Servo motor encoder signal(8circuits)
- E1 - Industrial Ethernet (9circuits)

Example

BM056-0610-02U: Industrial bus slip ring,total 16 circuits,without hole(solid),OD 56mm,6 circuits@10A+2 channel USB2.0.

BM056-1210-02U-03E-01C:Industrial bus slip ring,total 39 circuits,without hole(solid),OD 56mm,4 circuits@10A+4 circuits signal@2A+2channel USB2.0+3 channel 1000M Gbe(gigabit Ethernet)+1 channel CanBus.

*Remark: Any special requirements for OD,Length,signal type,exit position of cables,please feel free to contact us.



Technical Specification

circuits	2~36circuits (depends on model)	current	signal (2A),10A/circuit
voltage rating	0~240 VDC/VAC	rotating speed	250RPM continuously, 1000RPM intermittently
housing material	AL alloy	torque	0.1N.m;+0.03N.m/6 wire
working life	> 80 millions for ref (depends on working conditions)	contact material	precious metal: gold alloy
electrical noise	<10mΩ	contact resistance	<20mΩ(AWG16#,300mm)
dielectric strength	800VDC@50Hz	lead wire spec.	UL Teflon@Awg22,Awg16
insulation resistance	1000MΩ@600VDC	lead wire length	300mm
working temp.	-40°C ~ 80°C	IP grade	IP51
mechanical vibration	MIL-STD-810E	work humidity	10%~85% RH
material	RoHS compliant	CE certificate	YES

Color code of Lead Wire

ring#	1	2	3	4	5	6	7	8	9	10	11	12
color	BLK	BRN	RED	ORG	YEL	GRN	BLU	PUR	GRY	WHT	PINK	LGT BLU
ring#	13	14	15	16	17	18	19	20	21	22	23	24
color	WHT/BLK	WHT/BRN	WHT/RED	WHT/ORG	WHT/YEL	WHT/GRN	WHT/BLU	WHT/PUR	WHT/GRY	BLK/RED	BLK/BRN	Transparent

Remark: "1" : the first wire from rotor side , BM056-0610-02U wire color
sequence:black,brown,red,orange,yellow,green,blue,purple,grey,white,pink,lightblue, 24 color wires as one group , if
more than 24wires, repeat as sequence , use number tube to tell group 1#, 2#....

BM099 Series Industrial Bus Slip Rings



without hole(solid) OD:99mm

Senring BM099 Series Industrial Bus Slip Ring includes all kinds of Industrial Bus Signal Slip Rings, such as HDMI,HD-SDI, GbE(gigabit Ethernet),RS-232,RS-485,RS-422,Profibus, etc.

Part No. description

BM099 - power circuits - signal circuits - signal Channels/code	
BM099: Industrial Bus Slip Rings without hole(solid) OD:99mm For example:: 0610:6circuits@10A 1230:12circuits@30A	For example: 02E:2 channel 1000M Ethernet(total 18circuits) 03U:3 channel USB2.0(total 15circuits) More signal type pls refer to below list S: signal, For example: 08S:8circuits signal@2A 12S:12circuits signal@2A

Code list of signal type:

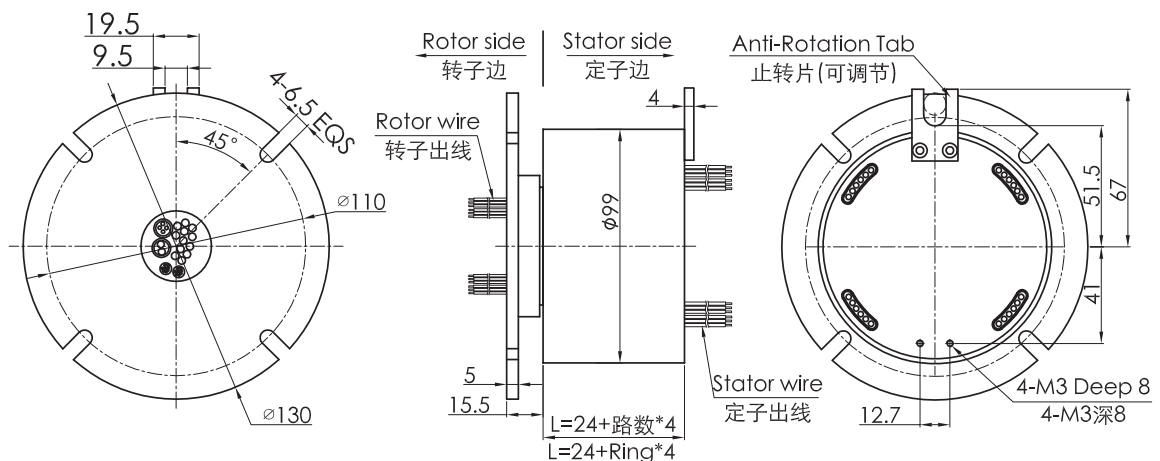
- F - 100M Ethernet (10, 100 BaseT Ethernet) - RJ45 (4circuits)
- E - 1000M Ethernet (1000 BaseT Ethernet) - RJ45 (9circuits)
- P - Profibus (Profibus - 4-Pin D-Sub) (4circuits)
- C - Canbus (Canbus - 4-Pin D-Sub) (4circuits)
- D - Device Net - 5 Pin Micro Change (5 circuits)
- T - Control Net - 75Ω BNC (4circuits)
- V - VGA (9circuits)
- H - HDMI (19circuits)
- U - USB 2.0 (5circuits)
- Q - Coaxial signal (Coax - 75 Ω BNC)(2circuits)
- R - RS485 (3circuits)
- R1 - RS422(5circuits)
- R2 - RS232(10circuits)
- B - Servo motor encoder signal(8circuits)
- E1 - Industrial Ethernet (9circuits)

Example

BM099-0610-02U:Industrial bus slip ring,total 16 circuits,without hole(solid),OD 99mm,6 circuits@10A+2 channel USB2.0.

BM099-0810-02U-03E-02C:Industrial bus slip ring,total 53 circuits,without hole(solid),OD 99mm,8 circuits@10A+2 channel USB2.0+3 channel gigabit ethernet+2 channel CanBus.

*Remark:Any special requirements for hole size,OD,length,signal type,exit position of cables,please feel free to contact us.



Technical Specification

circuits	2~120circuits (depends on model)	current	signal (2A),10A/circuit
voltage rating	0~440 VDC/VAC	rotating speed	250RPM continuously, 1000RPM intermittently
housing material	AL alloy	torque	0.1N.m;+0.03N.m/6 wire
working life	> 80 millions for ref (depends on working conditions)	contact material	precious metal: gold-gold
electrical noise	<10mΩ	contact resistance	<20mΩ(AWG16#,300mm)
dielectric strength	800VDC@50Hz	lead wire spec.	UL Teflon@Awg22,Awg16
insulation resistance	1000MΩ@600VDC	lead wire length	300mm
working temp.	-40°C ~ 80°C	IP grade	IP51
mechanical vibration	MIL-STD-810E	work humidity	10%~85% RH
material	RoHS compliant	CE certificate	YES

Color code of Lead Wire

ring#	1	2	3	4	5	6	7	8	9	10	11	12
color	BLK	BRN	RED	ORG	YEL	GRN	BLU	PUR	GRY	WHT	PINK	LGT BLU
ring#	13	14	15	16	17	18	19	20	21	22	23	24
color	WHT/BLK	WHT/BRN	WHT/RED	WHT/ORG	WHT/YEL	WHT/GRN	WHT/BLU	WHT/PUR	WHT/GRY	BLK/RED	BLK/BRN	Transparent

Remark: "1" : the first wire from rotor side , BM099-0610-02U wire color sequence:black,brown,red,orange,yellow,green,blue,purple,gre,white,pink,lightblue, 24 color wires as one group , if more than 24wires, repeat as sequence , use number tube to tell group 1#, 2#....

BH1286 Series Industrial Bus Slip Rings



hole size 12.7mm OD:86mm

Senring BH1286 Series Industrial Bus Slip Ring includes all kinds of Industrial Bus Signal Slip Rings, such as HDMI,HD-SDI, GbE(gigabit Ethernet),RS-232,RS-485,RS-422,Profibus, etc.

Part No. description

BH1286 - power circuits - signal circuits - signal Channels/code	
BH1286: Industrial Bus Slip Rings hole size:12.7mm OD:86mm For example: 0610:6circuits@10A 1230:12circuits@30A	For example: 02E:2 channel 1000M Ethernet(total 18circuits) 03U:3 channel USB2.0(total 15circuits) More signal type pls refer to below list S: signal, For example: 08S:8circuits signal@2A 12S:12circuits signal@2A

Code list of signal type:

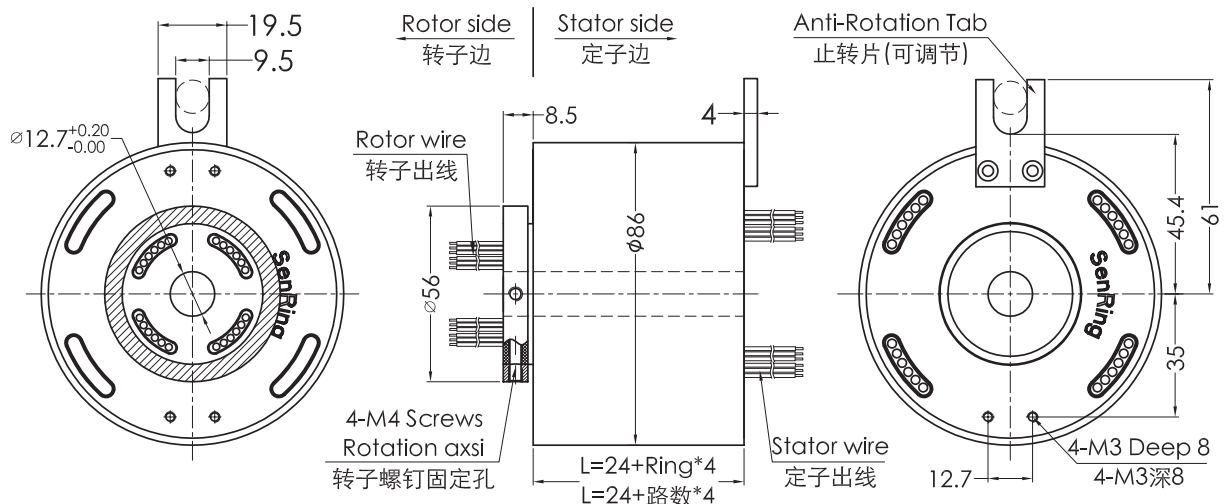
- F - 100M Ethernet (10, 100 BaseT Ethernet) - RJ45 (4circuits)
- E - 1000M Ethernet (1000 BaseT Ethernet) - RJ45 (9circuits)
- P - Profibus (Profibus - 4-Pin D-Sub) (4circuits)
- C - Canbus (Canbus - 4-Pin D-Sub) (4circuits)
- D - Device Net - 5 Pin Micro Change (5 circuits)
- T - Control Net - 75Ω BNC (4circuits)
- V - VGA (9circuits)
- H - HDMI (19circuits)
- U - USB 2.0 (5circuits)
- Q - Coaxial signal (Coax - 75 Ω BNC)(2circuits)
- R - RS485 (3circuits)
- R1 - RS422(5circuits)
- R2 - RS232(10circuits)
- B - Servo motor encoder signal(8circuits)
- E1 - Industrial Ethernet (9circuits)

Example

BH1286-0610-02U: Industrial Bus slip ring,total 16 circuits,hole size 12.7mm,OD 86mm,6 circuits@10A+2 channel USB2.0.

BH1286-0410-01U-03E-04R: Industrial Bus slip ring,total 48 circuits,hole size 12.7mm,OD 86mm,4 circuits@10A+1 channel USB2.0+3 channel (1000M)gigabit ethernet+4 channel RS485.

*Remark: Any special requirements for hole size,OD,length,signal type,exit position of cables,please feel free to contact us.



Technical Specification

circuits	2~96circuits (depends on model)	current	signal (2A), 10A/circuit
voltage rating	0~440 VDC/VAC	rotating speed	250RPM continuously, 1000RPM intermittently
housing material	AL alloy	torque	0.1N.m;+0.03N.m/6 wire
working life	> 80 millions for ref (depends on working conditions)	contact material	precious metal: gold-gold
electrical noise	<10mΩ	contact resistance	<20mΩ(AWG16#,300mm)
dielectric strength	800VDC@50Hz	lead wire spec.	UL Teflon@Awg22,Awg16
insulation resistance	1000MΩ@600VDC	lead wire length	300mm
working temp.	-40°C ~ 80°C	IP grade	IP51
mechanical vibration	MIL-STD-810E	work humidity	10%~85% RH
material	RoHS compliant	CE certificate	YES

Color code of Lead Wire

ring#	1	2	3	4	5	6	7	8	9	10	11	12
color	BLK	BRN	RED	ORG	YEL	GRN	BLU	PUR	GRY	WHT	PINK	LGT BLU
ring#	13	14	15	16	17	18	19	20	21	22	23	24
color	WHT/BLK	WHT/BRN	WHT/RED	WHT/ORG	WHT/YEL	WHT/GRN	WHT/BLU	WHT/PUR	WHT/GRY	BLK/RED	BLK/BRN	Transparent

Remark: "1" : the first wire from rotor side , BH1286-0610-02U wire color

sequence:black,brown,red,orange,yellow,green,blue,purple,grey,white,pink,lightblue, 24 color wires as one group , if more than 24wires, repeat as sequence , use number tube to tell group 1#, 2#....

BH2599 Series Industrial Bus Slip Rings



hole size 25.4mm OD:99mm

Senring BM2599 Series Industrial Bus Slip Ring includes all kinds of Industrial Bus Signal Slip Rings, such as HDMI,HD-SDI, GbE(gigabit Ethernet),RS-232,RS-485,RS-422,Profibus, etc.

Part No. description

BH2599 - power circuits - signal circuits - signal Channels/code	
BH2599: Industrial Bus Slip Rings hole size:25.4mm OD:99mm For example: 0610:6circuits@10A 1230:12circuits@30A	For example: 02E:2 channel 1000M Ethernet(total 18circuits) 03U:3 channel USB2.0(total 15circuits) More signal type pls refer to below list S: signal, For example: 08S:8circuits signal@2A 12S:12circuits signal@2A

Code list of signal type:

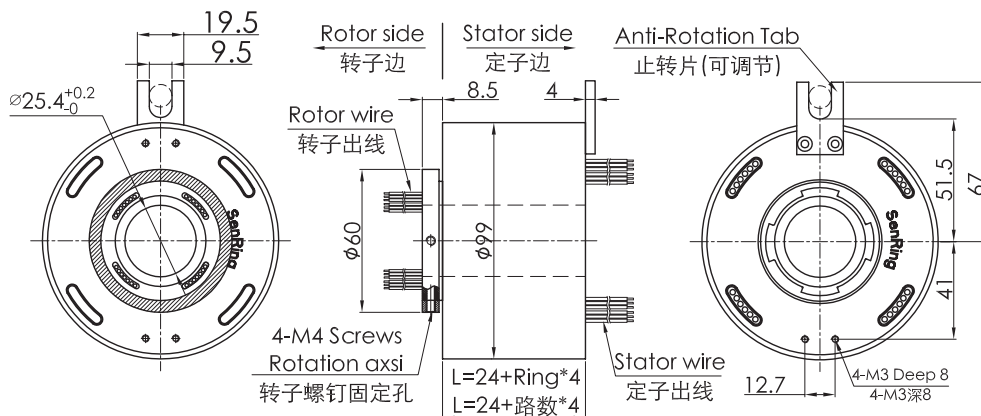
- F - 100M Ethernet (10, 100 BaseT Ethernet) - RJ45 (4circuits)
- E - 1000M Ethernet (1000 BaseT Ethernet) - RJ45 (9circuits)
- P - Profibus (Profibus - 4-Pin D-Sub) (4circuits)
- C - Canbus (Canbus - 4-Pin D-Sub) (4circuits)
- D - Device Net - 5 Pin Micro Change (5 circuits)
- T - Control Net - 75Ω BNC (4circuits)
- V - VGA (9circuits)
- H - HDMI (19circuits)
- U - USB 2.0 (5circuits)
- Q - Coaxial signal (Coax - 75 Ω BNC)(2circuits)
- R - RS485 (3circuits)
- R1 - RS422(5circuits)
- R2 - RS232(10circuits)
- B - Servo motor encoder signal(8circuits)
- E1 - Industrial Ethernet (9circuits)

Example

BH2599-0610-02U: Industrial bus slip ring,total 16 circuit,hole size 25.4mm,OD 99mm,6 circuits@10A+2 channel USB2.0.

BH2599-1210-02U-03E-01C:Industrial bus slip ring,total 39 circuits,hole size 25.4mm,OD 99mm,4 circuits@10A+4 circuits signal@2A+2 channel USB2.0+3 channel 1000M Gigabit Ethernet+1 channel CanBus.

*Remark: Any special requirements for hole size,OD,length,signal type,exit position of cables,please feel free to contact us.



Technical Specification

circuits	2~96circuits (depends on model)	current	signal (2A),10A/circuit
voltage rating	0~690 VDC/VAC	rotating speed	250RPM continuously, 1000RPM intermittently
housing material	AL alloy	torque	0.1N.m;+0.03N.m/6 wire
working life	> 80 millions for ref (depends on working conditions)	contact material	precious metal: gold-gold
electrical noise	<10mΩ	contact resistance	<20mΩ(AWG16#,300mm)
dielectric strength	800VDC@50Hz	lead wire spec.	UL Teflon@Awg22,Awg16
insulation resistance	1000MΩ@600VDC	lead wire length	300mm
working temp.	-40°C ~ 80°C	IP grade	IP51
mechanical vibration	MIL-STD-810E	work humidity	10%~85% RH
material	RoHS compliant	CE certificate	YES

Color code of Lead Wire

ring#	1	2	3	4	5	6	7	8	9	10	11	12
color	BLK	BRN	RED	ORG	YEL	GRN	BLU	PUR	GRY	WHT	PINK	LGT BLU
ring#	13	14	15	16	17	18	19	20	21	22	23	24
color	WHT/BLK	WHT/BRN	WHT/RED	WHT/ORG	WHT/YEL	WHT/GRN	WHT/BLU	WHT/PUR	WHT/GRY	BLK/RED	BLK/BRN	Transparent

Remark: "1" : the first wire from rotor side , BH2599-0610-02U wire color sequence:black,brown,red,orange,yellow,green,blue,purple,gre,white,pink,lightblue, 24 color wires as one group , if more than 24wires, repeat as sequence , use number tube to tell group 1#, 2#....



BH38119 Series Industrial Bus Slip Rings

hole size 38.1mm OD:119mm

Senring BH38119 Series Industrial Bus Slip Ring includes all kinds of Industrial Bus Signal Slip Rings, such as HDMI,HD-SDI, GbE(gigabit Ethernet),RS-232,RS-485,RS-422,Profibus, etc.

Part No. description

BH38119 - power circuits - signal circuits - signal Channels/code	
BH38119: Industrial Bus Slip Rings hole size:38.1mm OD:119mm For example:. 0610:6circuits@10A 1230:12circuits@30A	For example: 02E:2 channel 1000M Ethernet(total 18circuits) 03U:3 channel USB2.0(total 15circuits) More signal type pls refer to below list S: signal, For example: 08S:8circuits signal@2A 12S:12circuits signal@2A

Code list of signal type:

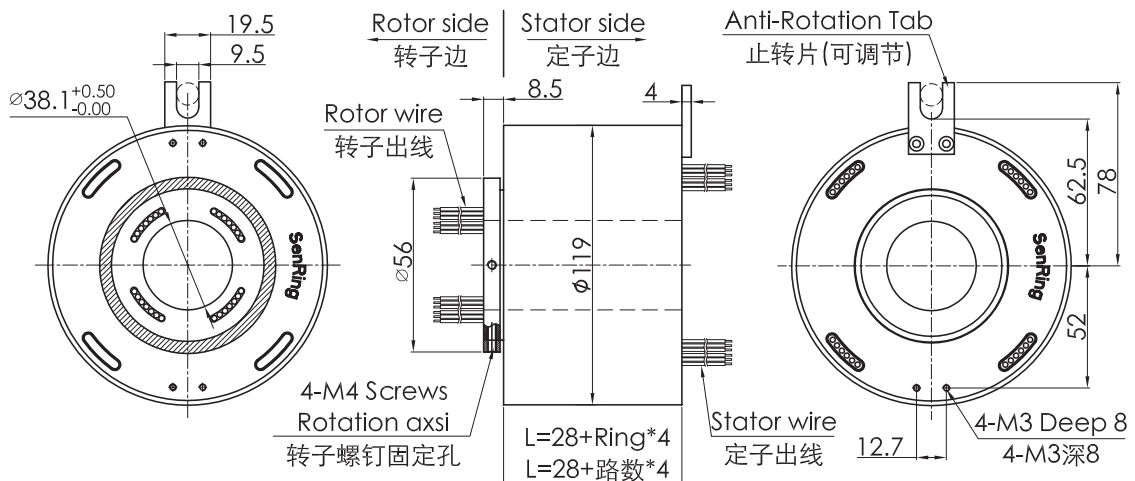
- F - 100M Ethernet (10, 100 BaseT Ethernet) - RJ45 (4circuits)
- E - 1000M Ethernet (1000 BaseT Ethernet) - RJ45 (9circuits)
- P - Profibus (Profibus - 4-Pin D-Sub) (4circuits)
- C - Canbus (Canbus - 4-Pin D-Sub) (4circuits)
- D - Device Net - 5 Pin Micro Change (5 circuits)
- T - Control Net - 75Ω BNC (4circuits)
- V - VGA (9circuits)
- H - HDMI (19circuits)
- U - USB 2.0 (5circuits)
- Q - Coaxial signal (Coax - 75 Ω BNC)(2circuits)
- R - RS485 (3circuits)
- R1 - RS422(5circuits)
- R2 - RS232(10circuits)
- B - Servo motor encoder signal(8circuits)
- E1 - Industrial Ethernet (9circuits)

Example

BH38119-0610-02U:Industrial bus slip ring,total 16 circuits,hole size 38.1mm,OD 119mm,6 circuits@10A+2 channel USB2.0.

BH38119-1210-02U-03E-01C:Industrial bus slip ring,total 16 circuits,hole size:38.1mm,OD 119mm,4 circuits@10A+4 circuits signal@2A+2channel USB2.0+3 channel 1000M Gigabit Ethernet+1 channel CanBus.

*Remark:Any special requirements for hole size,OD,length,signal type,exit position of cables,please feel free to contact us.



Technical Specification

circuits	2~168circuits (depends on model)	current	signal (2A), 10A/circuit
voltage rating	0~690 VDC/VAC	rotating speed	250RPM continuously, 1000RPM intermittently
housing material	AL alloy	torque	0.1N.m;+0.03N.m/6 wire
working life	> 80 millions for ref (depends on working conditions)	contact material	precious metal: gold-gold
electrical noise	<10mΩ	contact resistance	<20mΩ(AWG16#,300mm)
dielectric strength	800VDC@50Hz	lead wire spec.	UL Teflon@Awg22,Awg16
insulation resistance	1000MΩ@600VDC	lead wire length	300mm
working temp.	-40°C ~ 80°C	IP grade	IP51
mechanical vibration	MIL-STD-810E	work humidity	10%~85% RH
material	RoHS compliant	CE certificate	YES

Color code of Lead Wire

ring#	1	2	3	4	5	6	7	8	9	10	11	12
color	BLK	BRN	RED	ORG	YEL	GRN	BLU	PUR	GRY	WHT	PINK	LGT BLU
ring#	13	14	15	16	17	18	19	20	21	22	23	24
color	WHT/BLK	WHT/BRN	WHT/RED	WHT/ORG	WHT/YEL	WHT/GRN	WHT/BLU	WHT/PUR	WHT/GRY	BLK/RED	BLK/BRN	Transparent

Remark: "1" : the first wire from rotor side , BH38119-0610-02U wire color sequence:black,brown,red,orange,yellow,green,blue,purple,gre,white,pink,lightblue, 24 color wires as one group , if more than 24wires, repeat as sequence , use number tube to tell group 1#, 2#....



BH50130 Series Industrial Bus Slip Rings

hole size 50mm OD:130mm

Senring BH50130 Series Industrial Bus Slip Ring includes all kinds of Industrial Bus Signal Slip Rings, such as HDMI,HD-SDI, GbE(gigabit Ethernet),RS-232,RS-485,RS-422,Profibus, etc.

Part No. description

BH50130 - power circuits - signal circuits - signal Channels/code	
BH50130: Industrial Bus Slip Rings hole size:50mm OD:130mm For example:. 0610:6circuits@10A 1230:12circuits@30A	For example: 02E:2 channel 1000M Ethernet(total 18circuits) 03U:3 channel USB2.0(total 15circuits) More signal type pls refer to below list S: signal, For example: 08S:8circuits signal@2A 12S:12circuits signal@2A

Code list of signal type:

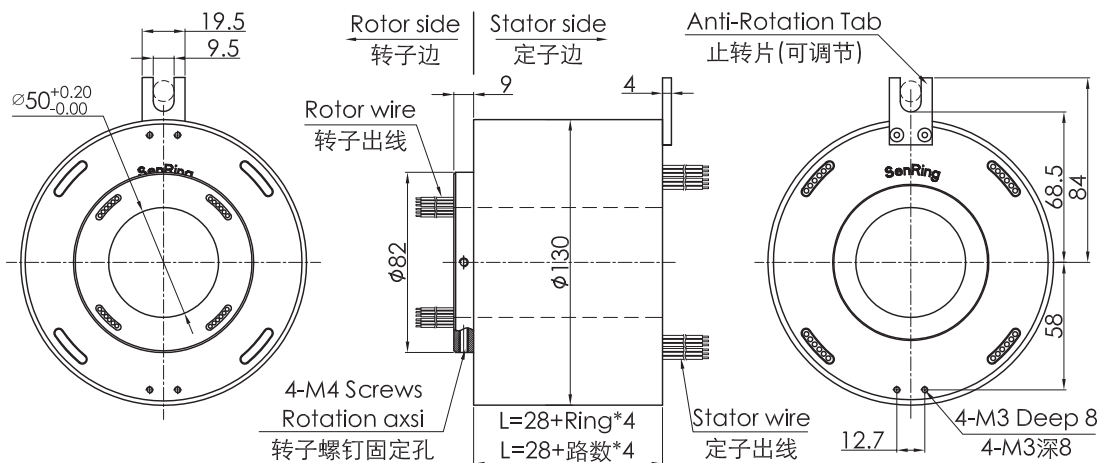
- F - 100M Ethernet (10, 100 BaseT Ethernet) - RJ45 (4circuits)
- E - 1000M Ethernet (1000 BaseT Ethernet) - RJ45 (9circuits)
- P - Profibus (Profibus - 4-Pin D-Sub) (4circuits)
- C - Canbus (Canbus - 4-Pin D-Sub) (4circuits)
- D - Device Net - 5 Pin Micro Change (5 circuits)
- T - Control Net - 75Ω BNC (4circuits)
- V - VGA (9circuits)
- H - HDMI (19circuits)
- U - USB 2.0 (5circuits)
- Q - Coaxial signal (Coax - 75 Ω BNC)(2circuits)
- R - RS485 (3circuits)
- R1 - RS422(5circuits)
- R2 - RS232(10circuits)
- B - Servo motor encoder signal(8circuits)
- E1 - Industrial Ethernet (9circuits)

Example

BH50130-0610-02U: Industrial bus slip ring,total 16 circuits,hole size 50mm,OD 130mm,6 circuits@10A+2 channel USB2.0.

BH50130-1210-02U-03E-01C: Industrial bus slip ring,total 16 circuits,hole size:50mm,OD 130mm,4 circuits@10A+4 circuits signal@2A+2 channel USB2.0+3 channel 1000M Gigabit Ethernet+1 channel CanBus.

*Remark: Any special requirements for hole size,OD,length,signal type,exit position of cables,please feel free to contact us.



Technical Specification

circuits	2~96circuits (depends on model)	current	signal (2A),10A/circuit
voltage rating	0~440 VDC/VAC	rotating speed	250RPM continuously, 1000RPM intermittently
housing material	AL alloy	torque	0.1N.m;+0.03N.m/6 wire
working life	> 80 millions for ref (depends on working conditions)	contact material	precious metal: gold-gold
electrical noise	<10mΩ	contact resistance	<20mΩ(AWG16#,300mm)
dielectric strength	800VDC@50Hz	lead wire spec.	UL Teflon@Awg22,Awg16
insulation resistance	1000MΩ@600VDC	lead wire length	300mm
working temp.	-40°C ~ 80°C	IP grade	IP51
mechanical vibration	MIL-STD-810E	work humidity	10%~85% RH
material	RoHS compliant	CE certificate	YES

Color code of Lead Wire

ring#	1	2	3	4	5	6	7	8	9	10	11	12
color	BLK	BRN	RED	ORG	YEL	GRN	BLU	PUR	GRY	WHT	PINK	LGT BLU
ring#	13	14	15	16	17	18	19	20	21	22	23	24
color	WHT/BLK	WHT/BRN	WHT/RED	WHT/ORG	WHT/YEL	WHT/GRN	WHT/BLU	WHT/PUR	WHT/GRY	BLK/RED	BLK/BRN	Transparent

Remark: "1" : the first wire from rotor side , BH50130-0610-02U wire color

sequence:black,brown,red,orange,yellow,green,blue,purple,grey,white,pink,lightblue, 24 color wires as one group , if more than 24wires, repeat as sequence , use number tube to tell group 1#, 2#...