

30 Series Rotary Union/Rotary Joint

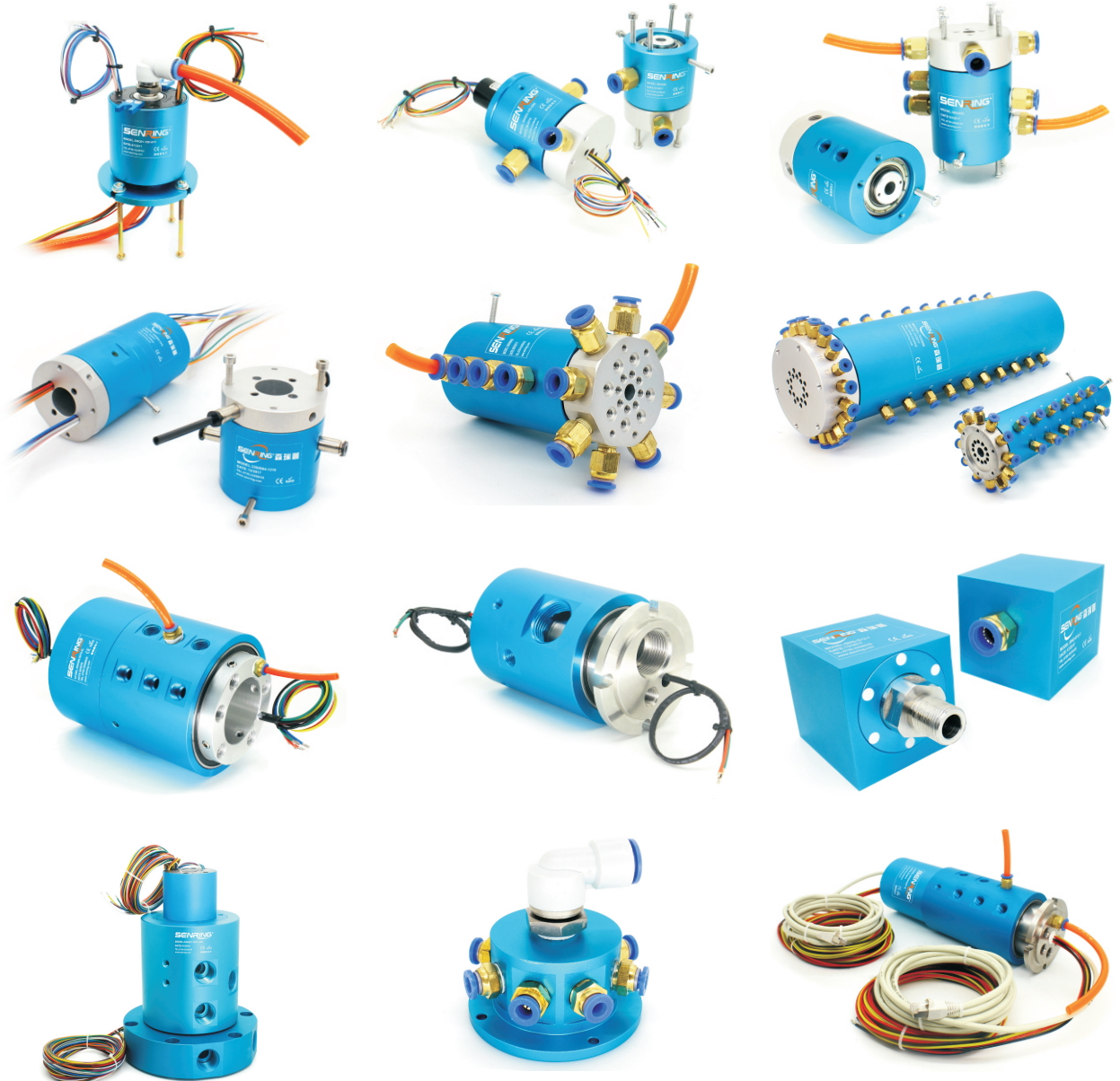
Senring 30 series rotary union is specially designed for applications which requires to transmit pneumatic(vacuum, air,gas...), hydraulic(oil, water,cold liquid...), power and signals (Ethernet, USB, HD, encoder, control signals...) at the meantime when devices 360° rotating.

Main Features

- Transmit Pnuematic/Hydraulic,such as steam,compressed air,water,hot oil,hydraulic oil,vacuum,liquid,vitriol,drinks...etc;
- Support transmit mixed power and signals,such as USB,HDMI, 1000M ethernet, VGA, DVI, RF ,servo motor signal,industrial bus slip rings...etc;
- 1~24 Pneumatic&Flow passage +1~300 power/signal channel optional;
- Standard ports G1/8",G3/8",M5,G1/4",G1/2" optiona
- Support vavious pipes of 4mm,6mm,8mm,10mm,12mm,15mm,etc
- We can quickly modify our standard rotary unions to fit your needs



Photos of Some Products



Part No. Description

30	Passages(Gas/Flow)	Port Size	Power Circuits	Signal Circuits
30:Senring 30 series Rotary Unions				
For example: 01:1 Passage, 02:2 Passage 04:4 Passage, 06:6 Passage 08:8 Passage, 12:12 Passage 16:16 Passage, 24:24 Passage			For example: 0610:6 circuits@10A	1230:12 circuits@30A
			For example: 004 4mm Pipe(M5),006 6mm Pipe(G1/8") 008 8mm Pipe(G1/4"),010 10mm Pipe(G1/4") 012 12mm Pipe(G3/8"),015 15mm Pipe(G1/2")	For example: 06S:6 circuits signal@2A 12S:12 circuits signal@2A

Examples

3004006 : 4 gas/flow passage rotary union, port G1/8", pipe size 6~8mm

3002006-24S : 2 passage(gas/flow, G1/8" port, support 6~8mm pipe)+24 circuits electrical(0~2A power/signal)

3001008-1205 : one passage (gas/flow, G1/4" port, support 8~10mm pipe), 12 circuits electrical(0~5A)

Model List

one passage(1 in 1 out, 1 in 8 out option)rotary union Model Lists				
Model List	Passages(Gas/Flow)	Port Size	Pipe Size	Circuits (power/signal)
3001004-X3A X4S	1	M5	4~6mm	2~96 circuits optional
3001008-X3A X4S	1	G1/4"	8~10mm	
3001015-X3A X4S	1	G1/2"	12~15mm	
3801015-X3A X4S	1 in 8 out	1 in(G1/2") 8 out(G1/8")	1 in(15mm) 8 out(8mm)	

Pneumatic,Hydraulic-Electrical Rotary Unions/Rotary Joints (M5 port) Model Lists				
Model List	Passages(Gas/Flow)	Port Size	Pipe Size	Circuits (power/signal)
3002004	2Passages	M5	4mm	2~72 circuits optional
3004004	4Passages	M5	4mm	
3008004	8Passages	M5	4mm	
3012004	12Passages	M5	4mm	
3016004	16Passages	M5	4mm	
3024004	24Passages	M5	4mm	

Pneumatic,Hydraulic-Electrical Rotary Unions/Rotary Joints (G1/8" port) Model Lists				
Model List	Passages(Gas/Flow)	Port Size	Pipe Size	Circuits (power/signal)
3002006	2Passages	G1/8"	6~8mm	2~72 circuits optional
3302006	2Passages(hode size:30mm)	G1/8"	6~8mm	
3004006	4Passages	G1/8"	6~8mm	
3006006	6Passages	G1/8"	6~8mm	
3008006	8Passages	G1/8"	6~8mm	
3012006	12Passages	G1/8"	6~8mm	

Pneumatic,Hydraulic-Electrical Rotary Unions/Rotary Joints (G3/8" port) Model Lists

Model List	Passages(Gas/Flow)	Port Size	Pipe Size	Circuits (power/signal)
3002012	2Passages	G3/8"	10~12mm	2~72 circuits optional
3004012	4Passages	G3/8"	10~12mm	
3008012	8Passages	G3/8"	10~12mm	
3012012	12Passages	G3/8"	10~12mm	

Installation

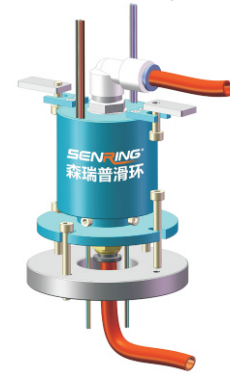
Multiple mounting screw holes available on both rotor and stator side, customer can install according needs.



Rotary Union Installation



Pneumatic,hydraulic-Electrical rotary joints Installation(Without flange)



Pneumatic,hydraulic-Electrical rotary joints Installation((Flange)

Color Code of Lead Wire

ring #	1	2	3	4	5	6	7	8	9	10	11	12
color	BLK	BRN	RED	ORG	YEL	GRN	BLU	PUR	GRY	WHT	PINK	LGT BLU
ring #	13	14	15	16	17	18	19	20	21	22	23	24
color	WHT/BLK	WHT/BRN	WHT/RED	WHT/ORG	WHT/YEL	WHT/GRN	WHT/BLU	WHT/PUR	WHT/GRY	BLK/RED	BLK/BRN	Transparent

3001008 Series 1-Passages Rotary Unions



1 Passage(G1/4" port,8~10mm pipes)+Electrical(Power/Signal)

support G1/2" port for 12~15mm pipes,can transfer various mediums including compressed air,steam,vacuum,negative pressure,positive pressure,cooling water,hot oil,etc when 360° rotating , it also can combine to transmit electrical power and signal.

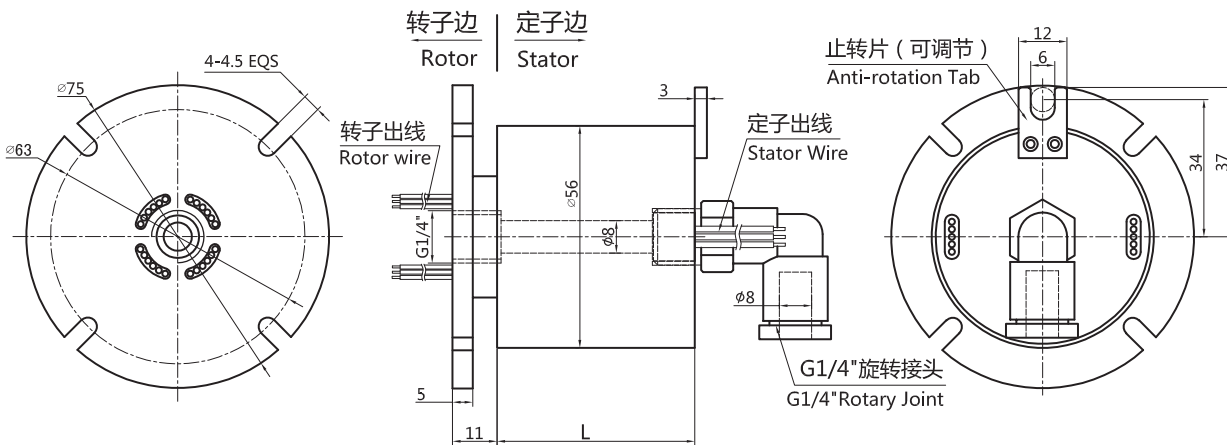
Part No. Description

3001008 - Power Circuits - Signal Circuits

1 Passage Rotary Unions
G1/4" port ,8~10mm pipes

For example:
0610:6 circuits@10A 1230:12 circuits@30A

For example:
06S:6 circuits signal@2A
12S:12 circuits signal@2A



Standard Model List

Model	Passages	Circuits		Length L(mm)
		Power(10A)	Signal(0~5A)	
3001008-02S	1	0	2	27
3001008-0210	1	2	0	27
3001008-03S	1	0	3	30
3001008-0310	1	3	0	30
3001008-06	1	0	6	38
3001008-0210-04S	1	2	4	38
3001008-0410-02S	1	4	2	38
3001008-0610	1	6	0	38
3001008-12S	1	0	12	55
3001008-0210-10S	1	2	10	55
3001008-0310-09S	1	3	9	55
3001008-0610-06S	1	6	6	55
3001008-0810-04S	1	8	4	55
3001008-1010-02S	1	10	2	55
3001008-1210	1	12	0	55
3001008-18S	1	0	18	71.5
3001008-0210-16S	1	2	16	71.5

Model	Passages	Circuits		Length L(mm)
		Power(10A)	Signal(0~5A)	
3001008-0410-14S	1	4	14	71.5
3001008-0610-12S	1	6	12	71.5
3001008-0810-10S	1	8	10	71.5
3001008-1010-08S	1	10	8	71.5
3001008-1210-06S	1	12	6	71.5
3001008-1410-04S	1	14	4	71.5
3001008-1610-02S	1	16	2	71.5
3001008-24S	1	0	24	88.5
3001008-0410-20S	1	4	20	88.5
3001008-0610-18S	1	6	18	88.5
3001008-1210-12S	1	12	12	88.5
3001008-1810-06S	1	18	6	88.5
3001008-2410	1	24	0	88.5
3001008-30S	1	0	30	105
3001008-0210-28S	1	2	28	104
3001008-0410-26S	1	4	26	104
3001008-0610-24S	1	6	24	104
3001008-36S	1	0	36	122
3001008-0410-32S	1	4	32	122
3001008-0610-30S	1	6	30	122
3001008-42S	1	0	42	139
3001008-0410-38S	1	4	38	140
3001008-48S	1	0	48	156
3001008-56S	1	0	48	178
3001008-72S	1	0	48	223

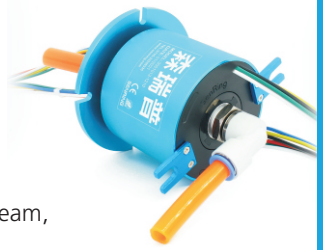
Technical Specification

Rotary Union Specification				
Passages	1 Passage(Gas/Flow)	Max. Pressure	10Mpa, Vacuum -90kPa	
Pipe size	8mm Pipe(G1/4")	torque	<0.2N.m	
Mechanical parameters		Electrical parameters		
Spec.	Data	Spec.	Data	
Working Life	20millions for ref (depends on working conditions)		Voltage Range	Power
Max. Speed	250RPM continously, 1000RPM intermittently	Insulation Resistance	0~440VAC/VDC	0~440VAC/VDC
Working Temp.	-30°C~80°C	Lead Wire Spec.	AWG17# Silver-plated teflon wire	AWG22# Silver-plated teflon wire
Work Humidity	0~85% RH	Lead Wire Length	standard 200mm(can be customized)	
Contact Material	precious metal	Insulation Resistance	500VAC@50Hz,6s	
Housing Material	aluminum alloy	Electrical Noise	<0.01Ω	
IP Grade	IP51			

Color Code of Lead Wire

ring #	1	2	3	4	5	6	7	8	9	10	11	12
color	BLK	BRN	RED	ORG	YEL	GRN	BLU	PUR	GRY	WHT	PINK	LGT BLU

3001012 Series 1-Passages Rotary Unions



1 Passage(G3/8" port,10~12mm pipes)+Electrical(Power/Signal)

support G1/2" port for 12~15mm pipes,can transfer various mediums including compressed air,steam, vacuum,negative pressure,positive pressure,cooling water,hot oil,etc when 360° rotating , it also can combine to transmit electrical power and signal.

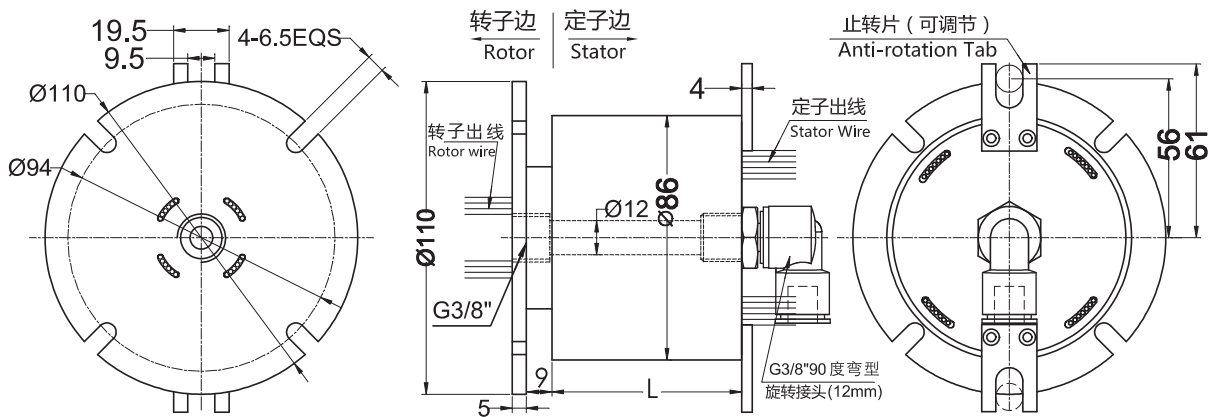
Part No. Description

1 Passage Rotary Unions
G3/8" port ,10~12mm pipes

For example:
0610:6 circuits@10A 1230:12 circuits@30A

3001012 - Power Circuits - Signal Circuits

For example:
06S:6 circuits signal@2A
12S:12 circuits signal@2A



Standard Model List

Model	Passages	Circuits		Length L(mm)
		Power(10A)	Signal(0~5A)	
3001012-02S	1	0	2	32
3001012-0210	1	2	0	32
3001012-03S	1	0	3	36
3001012-0310	1	3	0	36
3001012-06S	1	0	6	48
3001012-0210-04S	1	2	4	48
3001012-0410-02S	1	4	2	48
3001012-0610	1	6	0	48
3001012-12S	1	0	12	72
3001012-0210-10S	1	2	10	72
3001012-0310-09S	1	3	9	72
3001012-0610-06S	1	6	6	72
3001012-0810-04S	1	8	4	72
3001012-1010-02S	1	10	2	72
3001012-1210	1	12	0	72
3001012-18S	1	0	18	96
3001012-0210-16S	1	2	16	96
3001012-0410-14S	1	4	14	96
3001012-0610-12S	1	6	12	96
3001012-0810-10S	1	8	10	96
3001012-1010-08S	1	10	8	96
3001012-1210-06S	1	12	6	96
3001012-1410-04S	1	14	4	96
3001012-1610-02S	1	16	2	96

Model	Passages	Circuits		Length L(mm)
		Power(10A)	Signal(0~5A)	
3001012-24S	1	0	24	120
3001012-0410-20S	1	4	20	120
3001012-0610-18S	1	6	18	120
3001012-1210-12S	1	12	12	120
3001012-1810-06S	1	18	6	120
3001012-2410	1	24	0	120
3001012-30S	1	0	30	144
3001012-0610-24S	1	6	24	144
3001012-1210-18S	1	12	18	144
3001012-1810-12S	1	18	12	144
3001012-2410-06S	1	24	6	144
3001012-3010	1	30	0	144
3001012-36S	1	0	36	168
3001012-0610-30S	1	6	30	168
3001012-1210-24S	1	12	24	168
3001012-3610	1	36	0	168
3001012-42S	1	0	42	192
3001012-0610-36S	1	6	36	192
3001012-1210-30S	1	12	30	192
3001012-48S	1	0	48	216
3001012-0610-42S	1	6	42	216
3001012-1010-38S	1	10	38	216
3001012-1210-36S	1	12	36	216
3001012-1810-30S	1	18	30	216
3001012-2410-24S	1	24	24	216
3001012-60S	1	0	60	264
3001012-0610-54S	1	6	54	264
3001012-1010-50S	1	10	50	264
3001012-72S	1	0	72	312
3001012-96S	1	0	96	408

Technical Specification

Rotary Union Specification				
Passages	1 Passage(Gas/Flow)	Max. Pressure	10Mpa, Vacuum -90kPa	
Pipe size	12mm Pipe(G3/8")	torque	<0.2N.m	
Mechanical parameters		Electrical parameters		
Spec.	Data	Spec.	Data	
Working Life	20millions for ref (depends on working conditions)		Power	Signal
Max. Speed	250RPM continuously, 1000RPM intermittently	Voltage Range	0~440VAC/VDC	0~440VAC/VDC
		Insulation Resistance	<500MΩ/300VDC	<500MΩ/300VDC
Working Temp.	-30°C~80°C	Lead Wire Spec.	AWG17# Silver-plated teflon wire	AWG22# Silver-plated teflon wire
Work Humidity	0~85% RH	Lead Wire Length	standard 200mm(can be customized)	
Contact Material	precious metal	Insulation Resistance	500VAC@50Hz,6s	
Housing Material	aluminum alloy	Electrical Noise	<0.01Ω	
IP Grade	IP51			

Color Code of Lead Wire

ring #	1	2	3	4	5	6	7	8	9	10	11	12
color	BLK	BRN	RED	ORG	YEL	GRN	BLU	PUR	GRY	WHT	PINK	LGT BLU

3001004 Series 1-Passages Rotary Unions

1 passage(M5 port,4mm pipes)+Electrical(Power/Signal)

support M5 port for 4mm pipes,can transfer various mediums including compressed air,steam, vacuum,negative pressure,positive pressure,cooling water,hot oil,etc when 360° rotating , it also can combine to transmit electrical power and signal.



3001004 Series

Part No. Description

1 Passage Rotary Unions
M5 port ,4mm pipes

For example:

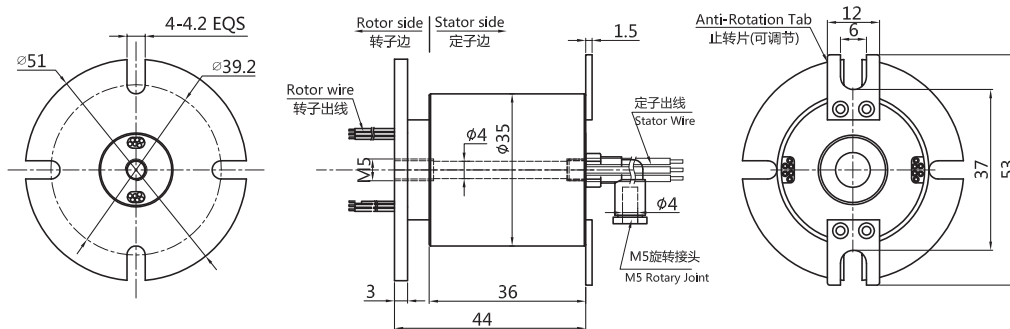
0610:6 circuits@10A 1230:12 circuits@30A

3001004 - Power Circuits - Signal Circuits

For example:

06S:6 circuits signal@2A

12S:12 circuits signal@2A



Standard Model List

Model	Passages	Circuits		Length L(mm)
		Power(10A)	Signal(0~5A)	
3001004-06S	1	0	6	36
3001004-08S	1	0	8	36
3001004-0610	1	6	0	36
3001004-12S	1	0	12	36

Technical Specification

Rotary Union Specification			
Passages	1 Passage(Gas/Flow)	Max. Pressure	10Mpa, Vacuum -90kPa
Pipe size	4mm Pipe(M5)	torque	<0.2N.m
Mechanical parameters		Electrical parameters	
Spec.	Data	Spec.	Data
Working Life	10millions for ref (depends on working conditions)	Voltage Range	0~440VAC/VDC 0~440VAC/VDC
		Insulation Resistance	<500MΩ/300VDC <500MΩ/300VDC
Max. Speed	250RPM continously, 1000RPM intermittently	Lead Wire Spec.	AWG17# Silver-plated teflon wire AWG22# Silver-plated teflon wire
		Working Temp.	-30°C~80°C
Work Humidity	0~85% RH	Lead Wire Length	standard 200mm(can be customized)
Contact Material	precious metal	Insulation Resistance	500VAC@50Hz,6s
Housing Material	aluminum alloy	Electrical Noise	<0.01 Ω
IP Grade	IP51		

Color Code of Lead Wire

ring #	1	2	3	4	5	6	7	8	9	10	11	12
color	BLK	BRN	RED	ORG	YEL	GRN	BLU	PUR	GRY	WHT	PINK	LGT BLU

3801015 Series 1 In 8 Out Rotary Union

1 In 8 Out, support 1 inlet G1/2 for 15mm pipe and 8 outlet G1/8 for 8mm pipe

support 1 inlet G1/2 for 15mm pipe and 8 outlet G1/8 for 8mm pipes, can transfer various mediums including compressed air, steam, vacuum, negative pressure, positive pressure, cooling water, hot oil, etc when 360° rotating, it also can combine to transmit electrical power and signal.

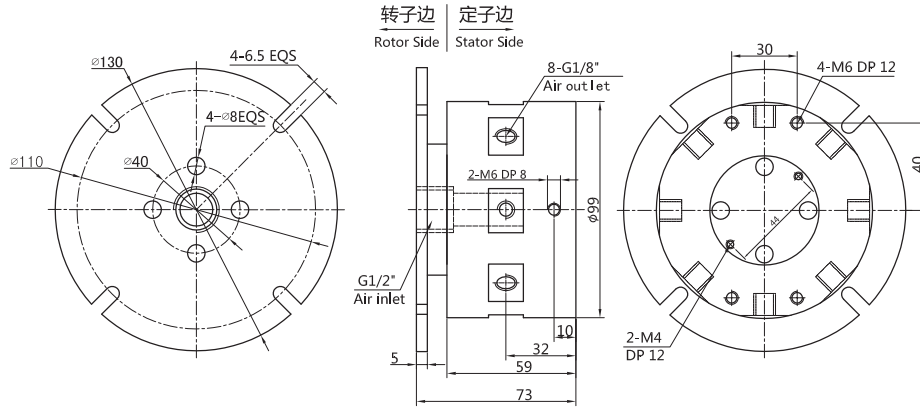
Part No. Description

1 Passage Rotary Unions
 1 In 8 Out Rotary Union
 1 Inlet (15mm Pipe, G 1/2" Port)
 8 Outlet (8mm Pipe, G1/8" Port)

3801015 - Power Circuits - Signal Circuits

For example:
 06S:6 circuits signal@2A
 12S:12 circuits signal@2A

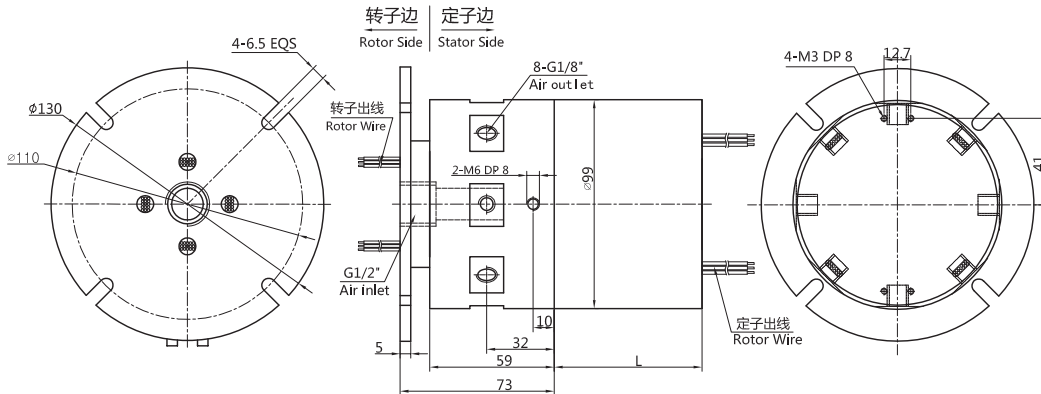
For example:
 0610:6 circuits@10A 1230:12 circuits@30A



Standard Model List

Model	Passages(Gas/Flow)	Port Size	Pipe Size
3801015	1 In 8 Out	1 Inlet (G 1/2" Port) 8 Outlet (G1/8" Port)	1 Inlet (15mm Pipe) 8 Outlet (8mm Pipe)

3801015-X4S 1 Passage(Inlet 15mm,Outlet 8mm)
 +2~96 circuits electrical signal@2A (Suitable for Solenoid valve or Sensor switch Signals)



Standard Model List

Model	Passages	Circuits		Length L(mm)
		Power(10A)	Signal(0~5A)	
3801015-02S	1 In 8 Out	0	2	32
3801015-0210	1 In 8 Out	2	0	32
3801015-03S	1 In 8 Out	0	3	36
3801015-0310	1 In 8 Out	3	0	36
3801015-06S	1 In 8 Out	0	6	48
3801015-0210-04S	1 In 8 Out	2	4	48
3801015-0410-02S	1 In 8 Out	4	2	48
3801015-0610	1 In 8 Out	6	0	48
3801015-12S	1 In 8 Out	0	12	72
3801015-0210-10S	1 In 8 Out	2	10	72
3801015-0310-09S	1 In 8 Out	3	9	72

Model	Passages	Circuits		Length L(mm)
		Power(10A)	Signal(0~5A)	
3801015-0610-06S	1 In 8 Out	6	6	72
3801015-0810-04S	1 In 8 Out	8	4	72
3801015-1010-02S	1 In 8 Out	10	2	72
3801015-1210-12S	1 In 8 Out	12	12	120
3801015-1810-06S	1 In 8 Out	18	6	120
3801015-2410	1 In 8 Out	24	0	120
3801015-30S	1 In 8 Out	0	30	144
3801015-0610-24S	1 In 8 Out	6	24	144
3801015-1210-18S	1 In 8 Out	12	18	144
3801015-1810-12S	1 In 8 Out	18	12	144
3801015-2410-06S	1 In 8 Out	24	6	144
3801015-3010	1 In 8 Out	30	0	144
3801015-36S	1 In 8 Out	0	36	168
3801015-0610-30S	1 In 8 Out	6	30	168
3801015-1210-24S	1 In 8 Out	12	24	168
3801015-3610	1 In 8 Out	36	0	168
3801015-42S	1 In 8 Out	0	42	192
3801015-1210	1 In 8 Out	12	0	72
3801015-18S	1 In 8 Out	0	18	96
3801015-0210-16S	1 In 8 Out	2	16	96
3801015-0410-14S	1 In 8 Out	4	14	96
3801015-0610-12S	1 In 8 Out	6	12	96
3801015-0810-10S	1 In 8 Out	8	10	96
3801015-1010-08S	1 In 8 Out	10	8	96
3801015-1210-06S	1 In 8 Out	12	6	96
3801015-1410-04S	1 In 8 Out	14	4	96
3801015-1610-02S	1 In 8 Out	16	2	96
3801015-24S	1 In 8 Out	0	24	120
3801015-0410-20S	1 In 8 Out	4	20	120
3801015-0610-18S	1 In 8 Out	6	18	120
3801015-0610-36S	1 In 8 Out	6	36	192
3801015-1210-30S	1 In 8 Out	12	30	192
3801015-48S	1 In 8 Out	0	48	216
3801015-0610-42S	1 In 8 Out	6	42	216
3801015-1010-38S	1 In 8 Out	10	38	216
3801015-1210-36S	1 In 8 Out	12	36	216
3801015-1810-30S	1 In 8 Out	18	30	216
3801015-2410-24S	1 In 8 Out	24	24	216
3801015-60S	1 In 8 Out	0	60	264
3801015-0610-54S	1 In 8 Out	6	54	264
3801015-1010-50S	1 In 8 Out	10	50	264
3801015-72S	1 In 8 Out	0	72	312
3801015-96S	1 In 8 Out	0	96	408

Technical Specification

Rotary Union Specification				
Passages	1 In 8 Out	Max. Operating Pressure	Positive Pressure 10Mpa, Vacuum -90kPa	
Pipe size	1 Inlet (15mm Pipe,G 1/2" Port) 8 Outlet (8mm Pipe,G1/8" Port)	torque	<0.35N.m	
Mechanical parameters		Electrical parameters		
spec.	data	Spec.	Data	
Working Life	20millions for ref(depends on working conditions)		Power	Signal
Max. Operating Speed	250RPM continuously, 1000RPM intermittently	Voltage Range	0~440VAC/VDC	0~440VAC/VDC
Working Temp.	-30°C~80°C	Insulation Resistance	<500MΩ/300VDC	<500MΩ/300VDC
Work Humidity	0~85% RH	Lead Wire Spec.	AWG17# Silver-plated teflon wire	AWG22# Silver-plated teflon wire
Contact Material	precious metal	Lead Wire Length	standard 250mm(can be customized)	
Housing Material	aluminum alloy	Insulation Resistance	500VAC@50Hz,6s	
IP Grade	IP51	Electrical Noise	<0.01Ω	

Color Code of Lead Wire

ring #	1	2	3	4	5	6	7	8	9	10	11	12
color	BLK	BRN	RED	ORG	YEL	GRN	BLU	PUR	GRY	WHT	PINK	LGT BLU

3002004 Series 2 Passages Pnuematic/Hydraulic+Electric Rotary Unions

2 Passage(M5 port,4mm pipes)+Electrical(Power/Signal)

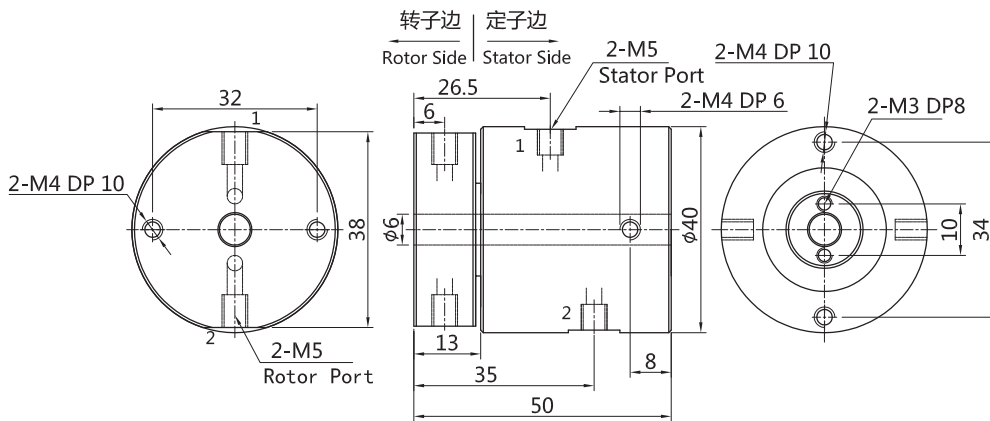


support M5 port for 4mm pipes,can transfer various mediums including compressed air,steam, vacuum,negative pressure,positive pressure,cooling water,hot oil,etc when 360° rotating , it also can combine to transmit electrical power and signal.

Part No. Description

2 Passage Rotary Unions support 2 M5 port for 4mm pipes	3002004 - Signal Circuits	For example: 06S:6 circuits signal@2A 12S:12 circuits signal@2A
--	---------------------------	---

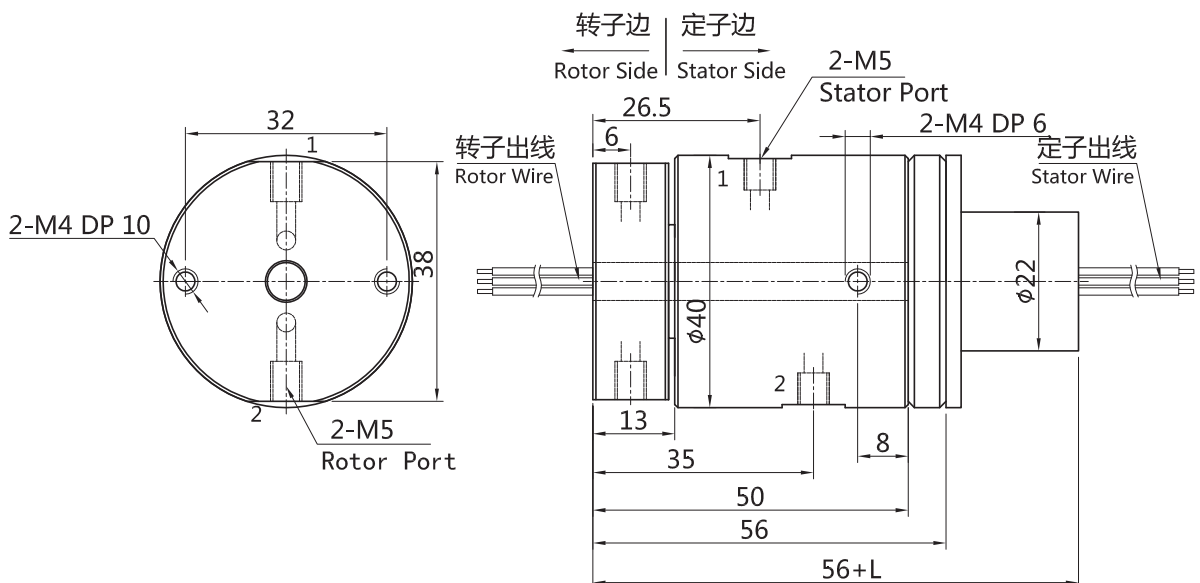
3002004 (Rotary Union Only) Drawing,2 Passage(4mm pipe)



Standard Model List

Model	Passages(Gas/Flow)	Port Size	Pipe Size
3002004	2	M5	4~6mm

3002004-X45 2 Passage(4mm pipe)+
6~36 circuits electrical signal@2A (Suitable for Solenoid valve or Sensor switch Signals)



Standard Model List

Model	Passages(Gas/Flow)	Port Size	Pipe Size	Signal Circuits(2A)	Length L(mm)
3002004-06S	2	M5	4~6mm	6	14
3002004-12S	2	M5	4~6mm	12	21
3002004-24S	2	M5	4~6mm	24	35
3002004-36S	2	M5	4~6mm	36	52

Technical Specification

Rotary Union Specification				
Passages	2 Passage(Gas/Flow)	Max. Pressure	10Mpa, Vacuum -90kPa	
Pipe size	4mm Pipe(M5)	torque	<0.2N.m	
Mechanical parameters		Electrical parameters		
Spec.	Data	Spec.	Data	
Working Life	20millions for ref (depends on working conditions)		Power	Signal
Max. Speed	250RPM continously, 1000RPM intermittently	Voltage Range	0~240VAC/VDC	0~240VAC/VDC
Working Temp.	-30°C~80°C	Insulation Resistance	<500MΩ/300VDC	<500MΩ/300VDC
Work Humidity	0~85% RH	Lead Wire Spec.	AWG26# Silver-plated teflon wire	AWG26# Silver-plated teflon wire
Contact Material	precious metal	Lead Wire Length	standard 250mm(can be customized)	
Housing Material	aluminum alloy	Insulation Resistance	500VAC@50Hz,6s	
IP Grade	IP51	Electrical Noise	<0.01Ω	

Color Code of Lead Wire

ring #	1	2	3	4	5	6	7	8	9	10	11	12
color	BLK	BRN	RED	ORG	YEL	GRN	BLU	PUR	GRY	WHT	PINK	LGT BLU

Standard Model List

Model	Passages(Gas/Flow)	Port Size	Pipe Size	Signal Circuits(2A)	Length L(mm)
3004004-06S	4	M5	4~6mm	6	14
3004004-12S	4	M5	4~6mm	12	21
3004004-24S	4	M5	4~6mm	24	35
3004004-36S	4	M5	4~6mm	36	52

Technical Specification

Rotary Union Specification				
Passages	4 Passage(Gas/Flow)	Max. Pressure	10Mpa, Vacuum -90kPa	
Pipe size	4mm Pipe(M5)	torque	<0.4N.m	
Mechanical parameters		Electrical parameters		
Spec.	Data	Spec.	Data	
Working Life	20millions for ref (depends on working conditions)		Voltage Range	Power
Max. Speed	250RPM continously, 1000RPM intermittently	Insulation Resistance	<500MΩ/300VDC	<500MΩ/300VDC
Working Temp.	-30°C~80°C	Lead Wire Spec.	AWG26# Silver-plated teflon wire	AWG26# Silver-plated teflon wire
Work Humidity	0~85% RH	Lead Wire Length	standard 250mm(can be customized)	
Contact Material	precious metal	Insulation Resistance	500VAC@50Hz,6s	
Housing Material	aluminum alloy	Electrical Noise	<0.01Ω	
IP Grade	IP51			

Color Code of Lead Wire

ring #	1	2	3	4	5	6	7	8	9	10	11	12
color	BLK	BRN	RED	ORG	YEL	GRN	BLU	PUR	GRY	WHT	PINK	LGT BLU

3008004 Series 8 Passages Pnuematic/Hydraulic+Electric Rotary Unions

8 Passage(M5 port,4mm pipes)+Electrical(Power/Signal)

support M5 port for 4mm pipes,can transfer various mediums including compressed air,steam,vacuum,negative pressure,positive pressure,cooling water,hot oil,etc when 360° rotating , it also can combine to transmit electrical power and signal.



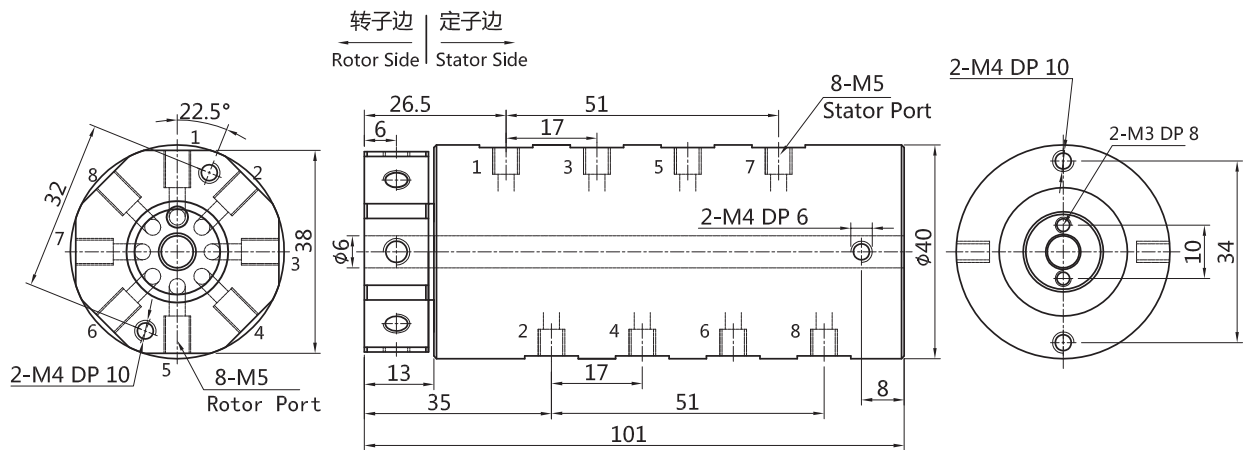
Part No. Description

3008004 - Signal Circuits

8 Passage Rotary Unions
support 8 M5 port for 4mm pipes

For example:
06S:6 circuits signal@2A
12S:12 circuits signal@2A

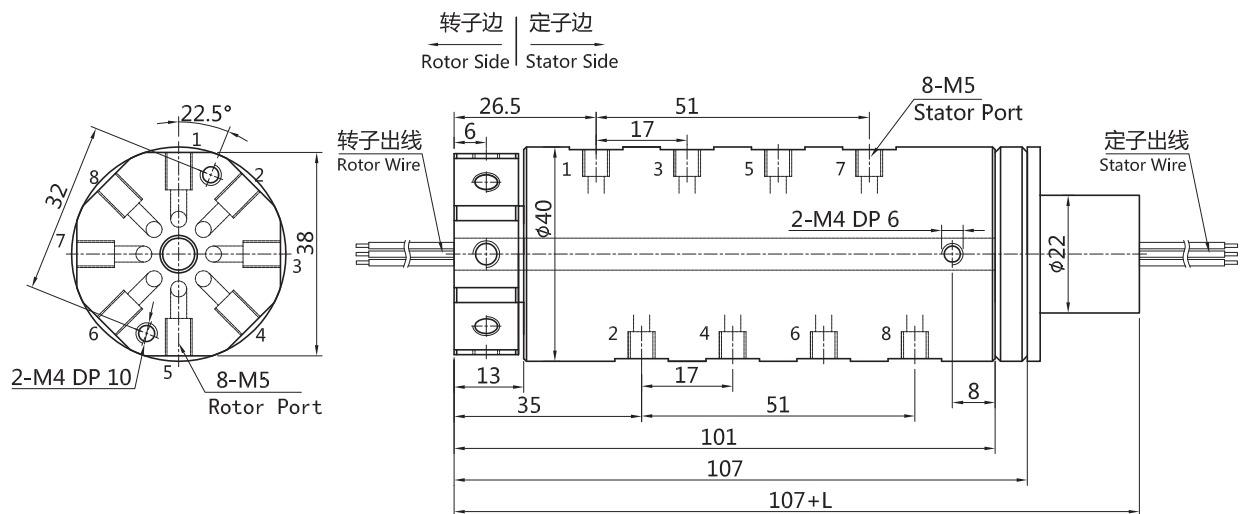
3008004 (Rotary Union Only) Drawing,8 Passage(4mm pipe)



Standard Model List

Model	Passages(Gas/Flow)	Port Size	Pipe Size
3008004	8	M5	4~6mm

3008004-X45 8 Passage(4mm pipe)
+6~36 circuits electrical signal@2A (Suitable for Solenoid valve or Sensor switch Signals)



Standard Model List

Model	Passages(Gas/Flow)	Port Size	Pipe Size	Signal Circuits(2A)	Length L(mm)
3008004-06S	8	M5	4~6mm	6	14
3008004-12S	8	M5	4~6mm	12	21
3008004-24S	8	M5	4~6mm	24	35
3008004-36S	8	M5	4~6mm	36	52

Technical Specification

Rotary Union Specification				
Passages	8 Passage(Gas/Flow)	Max. Pressure	10Mpa, Vacuum -90kPa	
Pipe size	4mm Pipe(M5)	torque	<08N.m	
Mechanical parameters		Electrical parameters		
Spec.	Data	Spec.	Data	
Working Life	20millions for ref (depends on working conditions)		Power	Signal
Max. Speed	250RPM continously, 1000RPM intermittently	Voltage Range	0~240VAC/VDC	0~240VAC/VDC
Working Temp.	-30°C~80°C	Insulation Resistance	<500MΩ/300VDC	<500MΩ/300VDC
Work Humidity	0~85% RH	Lead Wire Spec.	AWG26# Silver-plated teflon wire	AWG26# Silver-plated teflon wire
Contact Material	precious metal	Lead Wire Length	standard 250mm(can be customized)	
Housing Material	aluminum alloy	Insulation Resistance	500VAC@50Hz,6s	
IP Grade	IP51	Electrical Noise	<0.01Ω	

Color Code of Lead Wire

ring #	1	2	3	4	5	6	7	8	9	10	11	12
color	BLK	BRN	RED	ORG	YEL	GRN	BLU	PUR	GRY	WHT	PINK	LGT BLU

3012004 Series 12 Passages Pneumatic/Hydraulic+Electric Rotary Unions

12 Passage(M5 port,4mm pipes)+Electrical(Power/Signal)

support M5 port for 4mm pipes,can transfer various mediums including compressed air,steam,vacuum,negative pressure,positive pressure,cooling water,hot oil,etc when 360° rotating , it also can combine to transmit electrical power and signal.



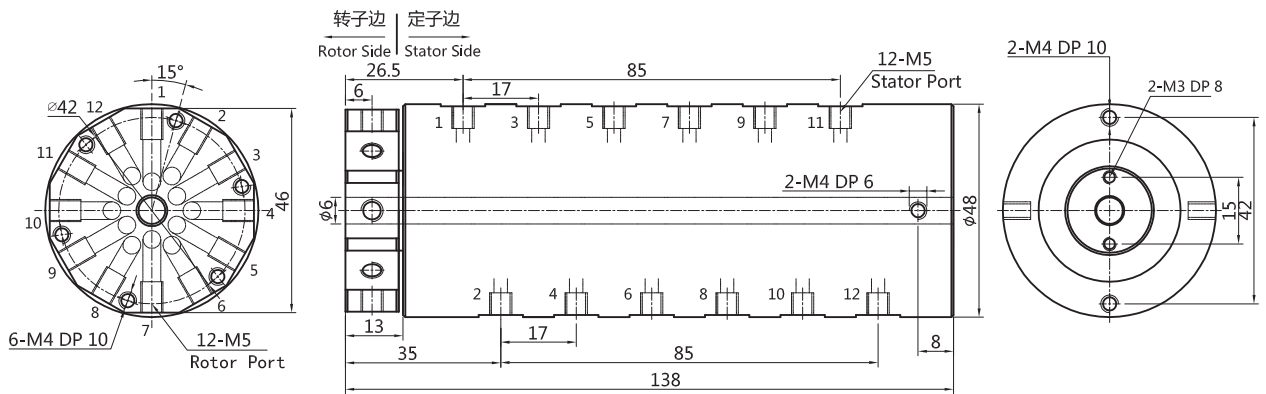
Part No. Description

3012004 - Signal Circuits

12 Passage Rotary Unions
support 12 M5 port for 4mm pipes

For example:
06S:6 circuits signal@2A
12S:12 circuits signal@2A

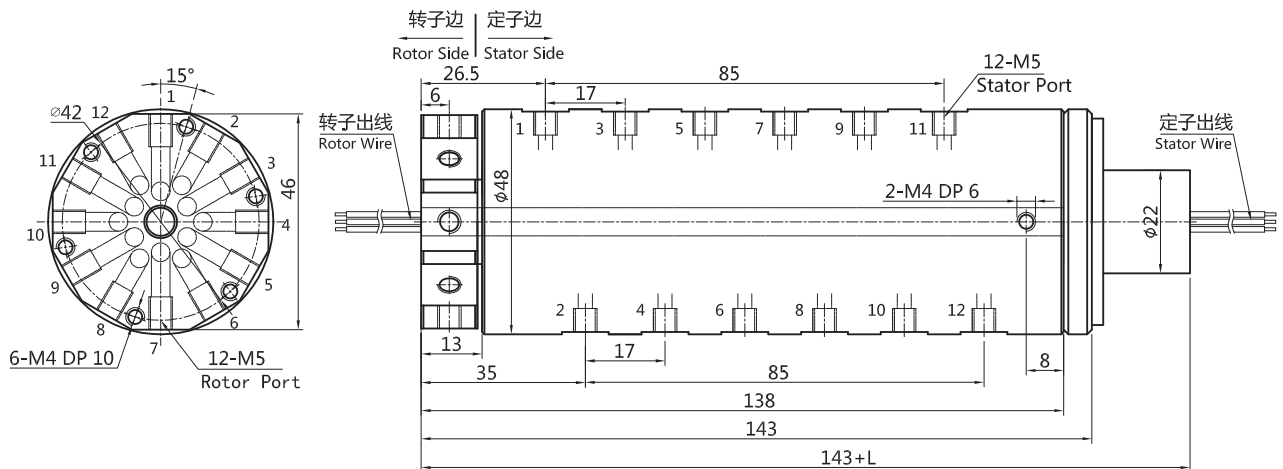
3012004 (Rotary Union Only) Drawing, 12 Passage(4mm pipe)



Standard Model List

Model	Passages(Gas/Flow)	Port Size	Pipe Size
3012004	12	M5	4~6mm

3012004-X43012 passages (4mm pipe)
+6~36 circuits electrical signal@2A (Suitable for Solenoid valve or Sensor switch Signals)



Standard Model List

Model	Passages(Gas/Flow)	Port Size	Pipe Size	Signal Circuits(2A)	Length L(mm)
3012004-06S	12	M5	4~6mm	6	14
3012004-12S	12	M5	4~6mm	12	21
3012004-24S	12	M5	4~6mm	24	35
3012004-36S	12	M5	4~6mm	36	52

Technical Specification

Rotary Union Specification				
Passages	12 Passage(Gas/Flow)	Max. Pressure	1Mpa, Vacuum -90kPa	
Pipe size	4mm Pipe(M5)	torque	<1.2N.m	
Mechanical parameters		Electrical parameters		
Spec.	Data	Spec.	Data	
Working Life	20millions for ref (depends on working conditions)		Power	Signal
Max. Speed	250RPM continously, 1000RPM intermittently	Voltage Range	0~240VAC/VDC	0~240VAC/VDC
Working Temp.	-30°C~80°C	Insulation Resistance	<500MΩ/300VDC	<500MΩ/300VDC
Work Humidity	0~85% RH	Lead Wire Spec.	AWG26# Silver-plated teflon wire	AWG26# Silver-plated teflon wire
Contact Material	precious metal	Lead Wire Length	standard 250mm(can be customized)	
Housing Material	aluminum alloy	Insulation Resistance	500VAC@50Hz,6s	
IP Grade	IP51	Electrical Noise	<0.01Ω	

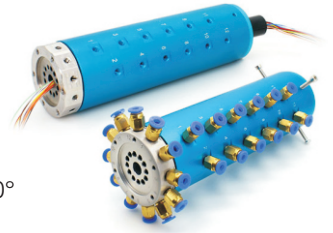
Color Code of Lead Wire

ring #	1	2	3	4	5	6	7	8	9	10	11	12
color	BLK	BRN	RED	ORG	YEL	GRN	BLU	PUR	GRY	WHT	PINK	LGT BLU

3016004 Series 16 Passages Pnuematic/Hydraulic+Electric Rotary Unions

16 Passage(M5 port,4mm pipes)+Electrical(Power/Signal)

support M5 port for 4mm pipes,can transfer various mediums including compressed air,steam,vacuum,negative pressure,positive pressure,cooling water,hot oil,etc when 360° rotating , it also can combine to transmit electrical power and signal.



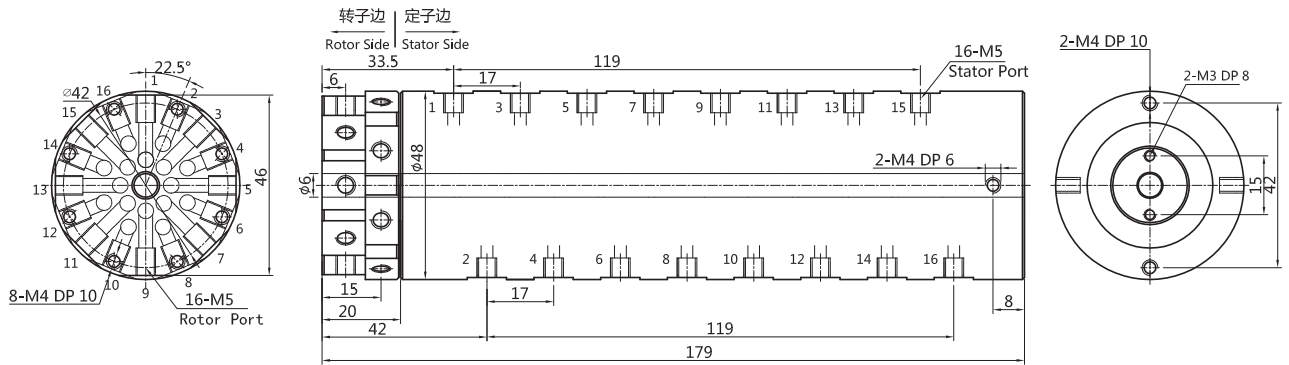
Part No. Description

[3016004](#) - Signal Circuits

16 Passage Rotary Unions
support 16 M5 port for 4mm pipes

For example:
06S:6 circuits signal@2A
12S:12 circuits signal@2A

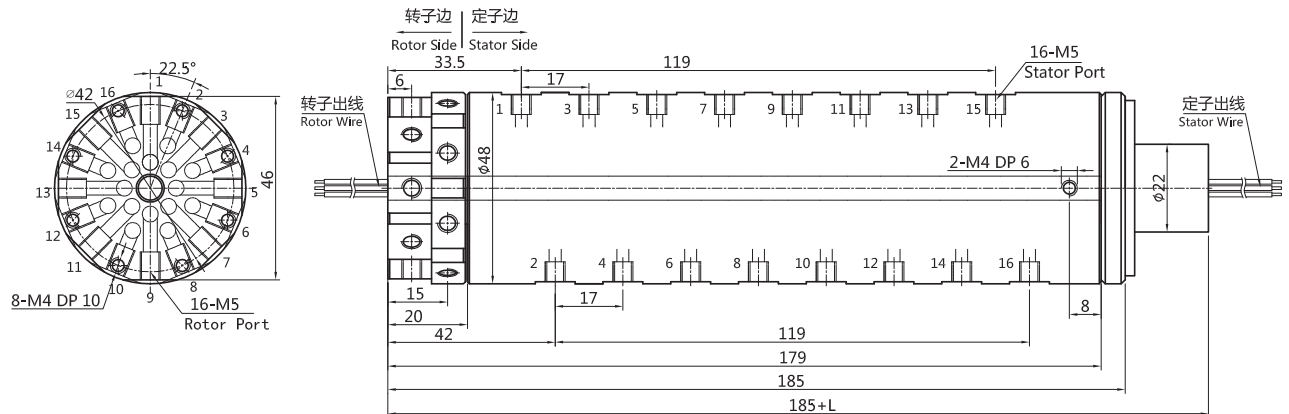
3016004 (Rotary Union Only) Drawing,16 Passage(4mm pipe)



Standard Model List

Model	Passages(Gas/Flow)	Port Size	Pipe Size
3016004	16	M5	4~6mm

3016004-X4S 16 Passage(4mm pipe)
+6~36 circuits electrical signal@2A (Suitable for Solenoid valve or Sensor switch Signals)



Standard Model List

Model	Passages(Gas/Flow)	Port Size	Pipe Size	Signal Circuits(2A)	Length L(mm)
3016004-06S	16	M5	4~6mm	6	14
3016004-12S	16	M5	4~6mm	12	21
3016004-24S	16	M5	4~6mm	24	35
3016004-36S	16	M5	4~6mm	36	52

Technical Specification

Rotary Union Specification				
Passages	16 Passage	Max. Pressure	1Mpa, Vacuum -90kPa	
Pipe size	4mm Pipe(M5)	torque	<1.6N.m	
Mechanical parameters		Electrical parameters		
Spec.	Data	Spec.	Data	
Working Life	20millions for ref (depends on working conditions)		Power	Signal
Max. Speed	250RPM continuously, 1000RPM intermittently	Voltage Range	0~240VAC/VDC	0~240VAC/VDC
		Insulation Resistance	<500M Ω /300VDC	<500M Ω /300VDC
Working Temp.	-30 $^{\circ}$ C~80 $^{\circ}$ C	Lead Wire Spec.	AWG26# Silver-plated teflon wire	AWG26# Silver-plated teflon wire
Work Humidity	0~85% RH	Lead Wire Length	standard 250mm(can be customized)	
Contact Material	precious metal	Insulation Resistance	500VAC@50Hz,6s	
Housing Material	aluminum alloy	Electrical Noise	<0.01 Ω	
IP Grade	IP51			

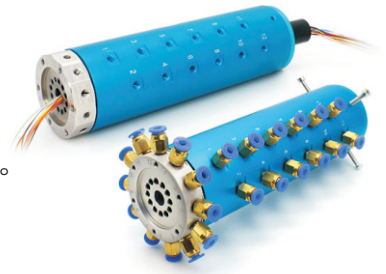
Color Code of Lead Wire

ring #	1	2	3	4	5	6	7	8	9	10	11	12
color	BLK	BRN	RED	ORG	YEL	GRN	BLU	PUR	GRY	WHT	PINK	LGT BLU

3024004 Series 24 Passages Pnuematic/Hydraulic+Electric Rotary Unions

24 Passage(M5 port,4mm pipes)+Electrical(Power/Signal)

support M5 port for 4mm pipes,can transfer various mediums including compressed air,steam,vacuum,negative pressure,positive pressure,cooling water,hot oil,etc when 360° rotating , it also can combine to transmit electrical power and signal.



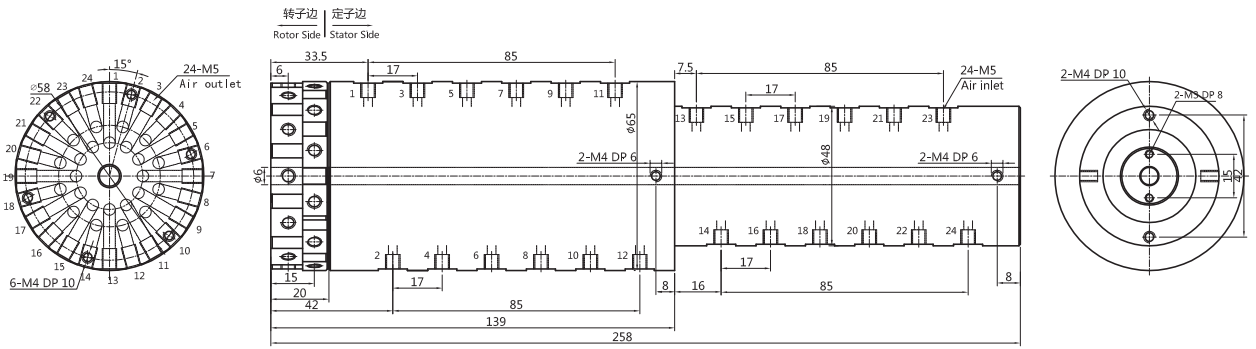
Part No. Description

3024004 - Signal Circuits

24 Passage Rotary Unions
support 24 M5 port for 4mm pipes

For example:
06S:6 circuits signal@2A
12S:12 circuits signal@2A

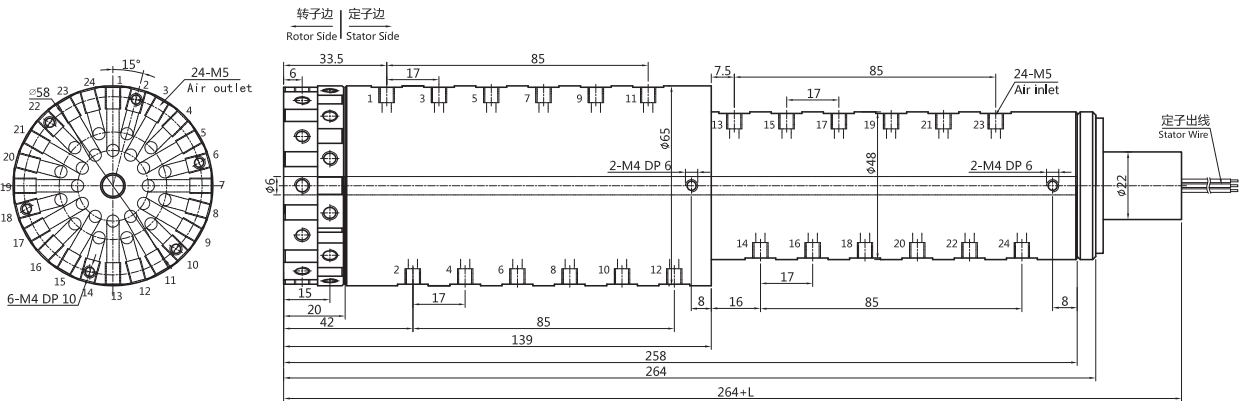
3024004 (Rotary Union Only) Drawing,24 Passage(4mm pipe)



Standard Model List

Model	Passages(Gas/Flow)	Port Size	Pipe Size
3024004	24	M5	4~6mm

3024004-X4S 24 Passage(4mm pipe) +6~36 circuits electrical signal@2A(Suitable for Solenoid valve or Sensor switch Signals)



Standard Model List

Model	Passages(Gas/Flow)	Port Size	Pipe Size	Signal Circuits(2A)	Length L(mm)
3024004-06S	24	M5	4~6mm	6	14
3024004-12S	24	M5	4~6mm	12	21
3024004-24S	24	M5	4~6mm	24	35
3024004-36S	24	M5	4~6mm	36	52

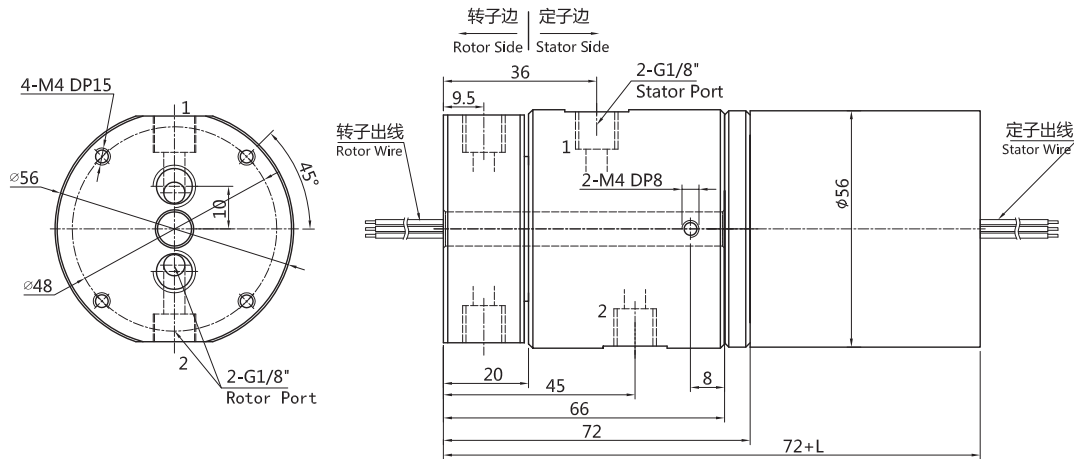
Technical Specification

Rotary Union Specification				
Passages	24 Passage	Max. Pressure	1Mpa, Vacuum -90kPa	
Pipe size	4mm Pipe(M5)	torque	<2.4N.m	
Mechanical parameters		Electrical parameters		
Spec.	Data	Spec.	Data	
Working Life	20millions for ref (depends on working conditions)		Power	Signal
Max. Speed	250RPM continously, 1000RPM intermittently	Voltage Range	0~240VAC/VDC	0~240VAC/VDC
Working Temp.	-30°C~80°C	Insulation Resistance	<500MΩ/300VDC	<500MΩ/300VDC
Work Humidity	0~85% RH	Lead Wire Spec.	AWG26# Silver-plated teflon wire	AWG26# Silver-plated teflon wire
Contact Material	precious metal	Lead Wire Length	standard 250mm(can be customized)	
Housing Material	aluminum alloy	Insulation Resistance	500VAC@50Hz,6s	
IP Grade	IP51	Electrical Noise	<0.01Ω	

Color Code of Lead Wire

ring #	1	2	3	4	5	6	7	8	9	10	11	12
color	BLK	BRN	RED	ORG	YEL	GRN	BLU	PUR	GRY	WHT	PINK	LGT BLU

3002006-X3AX4S 2 Passage(6~8mm pipe)+electrical power/signal(5A, 10A option)



Standard Model List

Model	Passages	Port Size	Pipe Size	Circuits		Length L(mm)
				Power(10A)	Signal(2A)	
3002006-06S	2	G1/8"	6~8mm	0	6	38
3002006-0610	2	G1/8"	6~8mm	6	0	38
3002006-12S	2	G1/8"	6~8mm	0	12	55
3002006-0610-06S	2	G1/8"	6~8mm	6	6	55
3002006-1210	2	G1/8"	6~8mm	12	0	55
3002006-0610-12S	2	G1/8"	6~8mm	6	12	71.5
3002006-1210-06S	2	G1/8"	6~8mm	12	6	71.5
3002006-18S	2	G1/8"	6~8mm	0	18	71.5
3002006-1810	2	G1/8"	6~8mm	18	0	71.5
3002006-0610-18S	2	G1/8"	6~8mm	6	18	88.5
3002006-24S	2	G1/8"	6~8mm	0	24	88.5
3002006-30S	2	G1/8"	6~8mm	0	30	106
3002006-36S	2	G1/8"	6~8mm	0	36	125

Technical Specification

Rotary Union Specification			
Passages	2 Passage	Max. Pressure	1Mpa, Vacuum -90kPa
Pipe size	6~8mm Pipe(G1/8")	torque	<0.2N.m
Mechanical parameters		Electrical parameters	
Spec.	Data	Spec.	Data
Working Life	20millions for ref (depends on working conditions)	Voltage Range	Power
			Signal
Max. Speed	250RPM continously, 1000RPM intermittently	Insulation Resistance	<500MΩ/300VDC
			Lead Wire Spec.
Working Temp.	-30°C~80°C	Lead Wire Length	
			Work Humidity
Contact Material	precious metal	Electrical Noise	
Housing Material	aluminum alloy		
IP Grade	IP51		

3302006 Series Two Passage Hollow Shaft Rotary Unions (with center hole 30mm)



2 Passage(G1/8" port,6~8mm pipes)+Electrical(Power/Signal)

support G1/8" port for 6~8mm pipes,can transfer various mediums including compressed air,steam,vacuum,negative pressure,positive pressure,cooling water,hot oil,etc when 360° rotating , it also can combine to transmit electrical power and signal.

Part No. Description

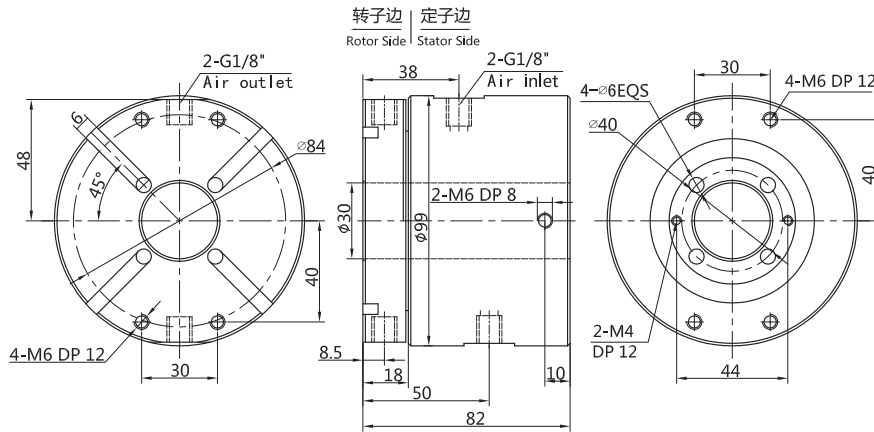
3302006 - Power Circuits - Signal Circuits

2 Passage Rotary Unions
G1/8" port ,6mm pipes

For example:
0610:6 circuits@10A 1230:12 circuits@30A

For example:
06S:6 circuits signal@2A
12S:12 circuits signal@2A

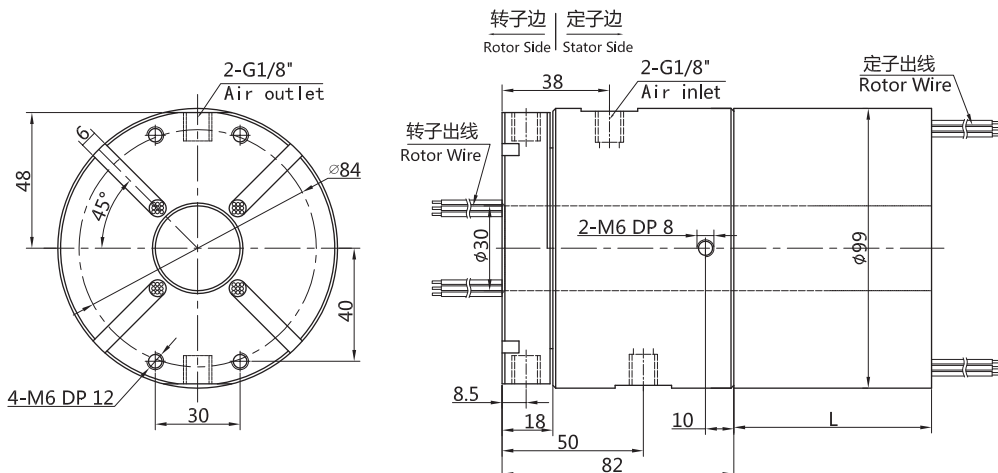
3302006 (Rotary Union Only) Drawing,2 Passage(6~8mm pipe)



Standard Model List

Model	Passages(Gas/Flow)	Port Size	Pipe Size
3302006	2	G1/8"	6~8mm

3302006-X3AX4S 2 Passage(6~8mm pipe)+electrical power/signal(5A, 10A option)



Standard Model List

Model	Passages	Port Size	Pipe Size	Circuits		Length L(mm)
				Power(10A)	Signal(2A)	
3302006-06S	2	G1/8"	6~8mm	0	6	48
3302006-0610	2	G1/8"	6~8mm	6	0	48
3302006-12S	2	G1/8"	6~8mm	0	12	72
3302006-0610-06S	2	G1/8"	6~8mm	6	6	72
3302006-1210	2	G1/8"	6~8mm	12	0	72
3302006-0610-12S	2	G1/8"	6~8mm	6	12	96
3302006-1210-06S	2	G1/8"	6~8mm	12	6	96
3302006-18S	2	G1/8"	6~8mm	0	18	96
3302006-1810	2	G1/8"	6~8mm	18	0	96
3302006-0610-18S	2	G1/8"	6~8mm	6	18	120
3302006-24S	2	G1/8"	6~8mm	0	24	120
3302006-2410	2	G1/8"	6~8mm	24	0	120
3302006-36S	2	G1/8"	6~8mm	0	36	168
3302006-1210-24S	2	G1/8"	6~8mm	12	24	168
3302006-3610	2	G1/8"	6~8mm	36	0	168
3302006-48S	2	G1/8"	6~8mm	0	48	216
3302006-1210-36S	2	G1/8"	6~8mm	12	36	216
3302006-4810	2	G1/8"	6~8mm	48	0	216
3302006-60S	2	G1/8"	6~8mm	0	60	264
3302006-1210-48S	2	G1/8"	6~8mm	12	48	264
3302006-72S	2	G1/8"	6~8mm	0	72	312
3302006-2410-48S	2	G1/8"	6~8mm	24	48	312
3302006-84S	2	G1/8"	6~8mm	0	84	360
3302006-2410-60S	2	G1/8"	6~8mm	20	60	360
3302006-96S	2	G1/8"	6~8mm	0	96	408
3302006-108S	2	G1/8"	6~8mm	0	108	456
3302006-120S	2	G1/8"	6~8mm	0	120	504

Technical Specification

Rotary Union Specification			
Passages	2 Passage	Max. Pressure	1Mpa, Vacuum -90kPa
Pipe size	6~8mm Pipe(G1/8")	torque	<0.2N.m
Mechanical parameters		Electrical parameters	
Spec.	Data	Spec.	Data
Working Life	20millions for ref (depends on working conditions)	Voltage Range	0~440VAC/VDC 0~440VAC/VDC
		Insulation Resistance	<500MΩ/300VDC <500MΩ/300VDC
Max. Speed	250RPM continously, 1000RPM intermittently	Lead Wire Spec.	AWG17# Silver-plated teflon wire AWG22# Silver-plated teflon wire
Working Temp.	-30°C~80°C	Lead Wire Length	standard 250mm(can be customized)
Work Humidity	0~85% RH	Insulation Resistance	500VAC@50Hz,6s
Contact Material	precious metal	Electrical Noise	<0.01Ω
Housing Material	aluminum alloy		
IP Grade	IP51		

Color Code of Lead Wire

ring #	1	2	3	4	5	6	7	8	9	10	11	12
color	BLK	BRN	RED	ORG	YEL	GRN	BLU	PUR	GRY	WHT	PINK	LGT BLU

3004006 Series 4 Passages Rotary Unions



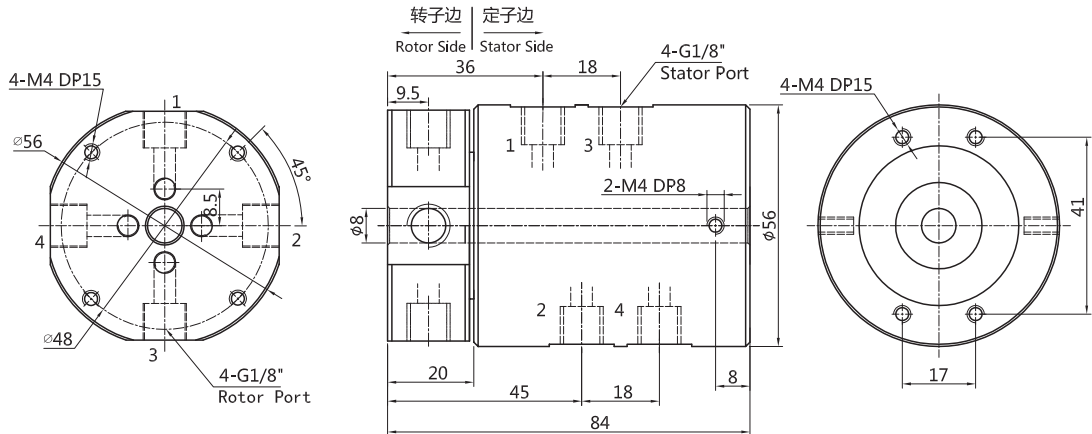
4 Passage(G1/8" port,6~8mm pipes)+Electrical(Power/Signal)

support G1/8" port for 6~8mm pipes,can transfer various mediums including compressed air,steam,vacuum,negative pressure,positive pressure,cooling water,hot oil,etc when 360° rotating , it also can combine to transmit electrical power and signal.

Part No. Description

4 Passage Rotary Unions G1/8" port ,6mm pipes	3004006 - Power Circuits - Signal Circuits	For example: 06S:6 circuits signal@2A 12S:12 circuits signal@2A
For example: 0610:6 circuits@10A 1230:12 circuits@30A		

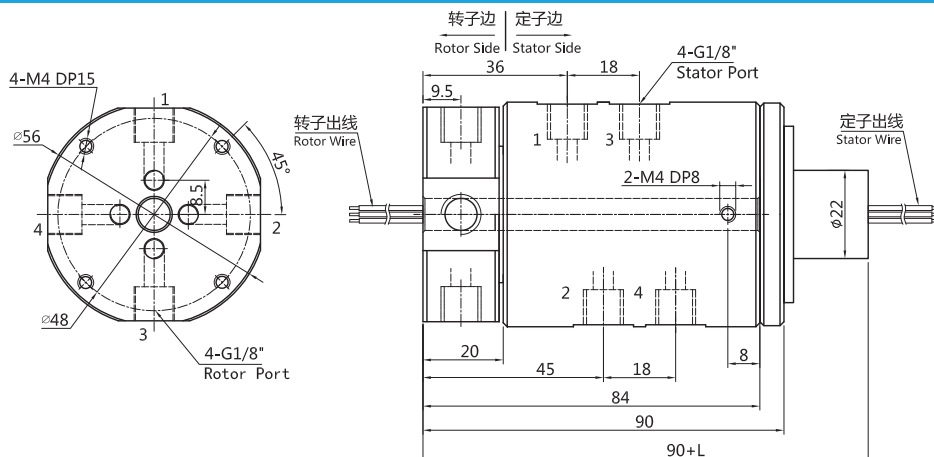
3004006 (Rotary Union Only) Drawing,4 Passage(6~8mm pipe)



Standard Model List

Model	Passages(Gas/Flow)	Port Size	Pipe Size
3004006	4	G1/8"	6~8mm

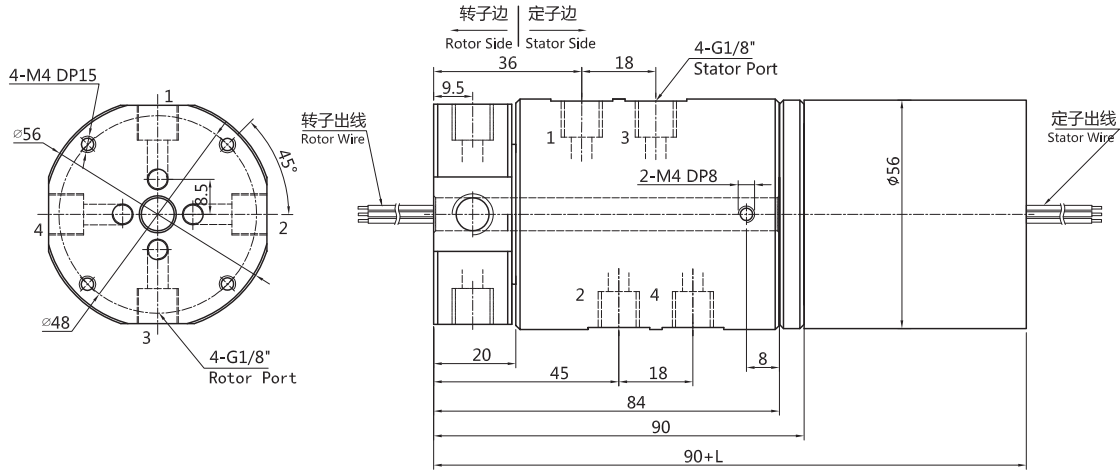
3004006-X4S 4 Passage(6~8mm pipe) +6~56 circuits electrical signal@2A (Suitable for Solenoid valve or Sensor switch Signals)



Standard Model List

Model	Passages(Gas/Flow)	Port Size	Pipe Size	Signal Circuits(2A)	Length L(mm)
3004006-06	4	G1/8"	6~8mm	6	14
3004006-12	4	G1/8"	6~8mm	12	21
3004006-24S	4	G1/8"	6~8mm	24	35
3004006-36S	4	G1/8"	6~8mm	36	52.3
3004006-56S	4	G1/8"	6~8mm	56	82

3004006-X3AX4S 4 Passage(6~8mm pipe)+electrical power/signal(5A, 10A option)



Standard Model List

Model	Passages	Port Size	Pipe Size	Circuits		Length L(mm)
				Power(10A)	Signal(2A)	
3004006-06S	4	G1/8"	6~8mm	0	6	38
3004006-0610	4	G1/8"	6~8mm	6	0	38
3004006-12S	4	G1/8"	6~8mm	0	12	55
3004006-0610-06S	4	G1/8"	6~8mm	6	6	55
3004006-1210	4	G1/8"	6~8mm	12	0	55
3004006-0610-12S	4	G1/8"	6~8mm	6	12	71.5
3004006-1210-06S	4	G1/8"	6~8mm	12	6	71.5
3004006-18S	4	G1/8"	6~8mm	0	18	71.5
3004006-1810	4	G1/8"	6~8mm	18	0	71.5
3004006-0610-18S	4	G1/8"	6~8mm	6	18	88.5
3004006-24S	4	G1/8"	6~8mm	0	24	88.5
3004006-30S	4	G1/8"	6~8mm	0	30	106
3004006-36S	4	G1/8"	6~8mm	0	36	125

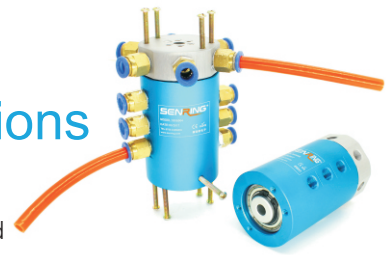
Technical Specification

Rotary Union Specification			
Passages	4 Passage	Max. Pressure	1Mpa, Vacuum -90kPa
Pipe size	6~8mm Pipe(G1/8")	torque	<0.4N.m
Mechanical parameters		Electrical parameters	
Spec.	Data	Spec.	Data
Working Life	20millions for ref (depends on working conditions)	Voltage Range	Power: 0~440VAC/VDC Signal: 0~440VAC/VDC
		Insulation Resistance	<500MΩ/300VDC
Max. Speed	250RPM continously, 1000RPM intermittently	Lead Wire Spec.	AWG17# Silver-plated teflon wire AWG22# Silver-plated teflon wire
		Lead Wire Length	standard 250mm(can be customized)
Working Temp.	-30°C~80°C	Insulation Resistance	500VAC@50Hz,6s
Work Humidity	0~85% RH	Electrical Noise	<0.01Ω
Contact Material	precious metal		
Housing Material	aluminum alloy		
IP Grade	IP51		

3006006 Series 6 Passages Rotary Unions

6 Passage(G1/8" port,6~8mm pipes)+Electrical(Power/Signal)

support G1/8" port for 6~8mm pipes,can transfer various mediums including compressed air,steam,vacuum,negative pressure,positive pressure,cooling water,hot oil,etc when 360° rotating , it also can combine to transmit electrical power and signal.



Part No. Description

3006006 - Power Circuits - Signal Circuits

6 Passage Rotary Unions
G1/8" port ,6mm pipes

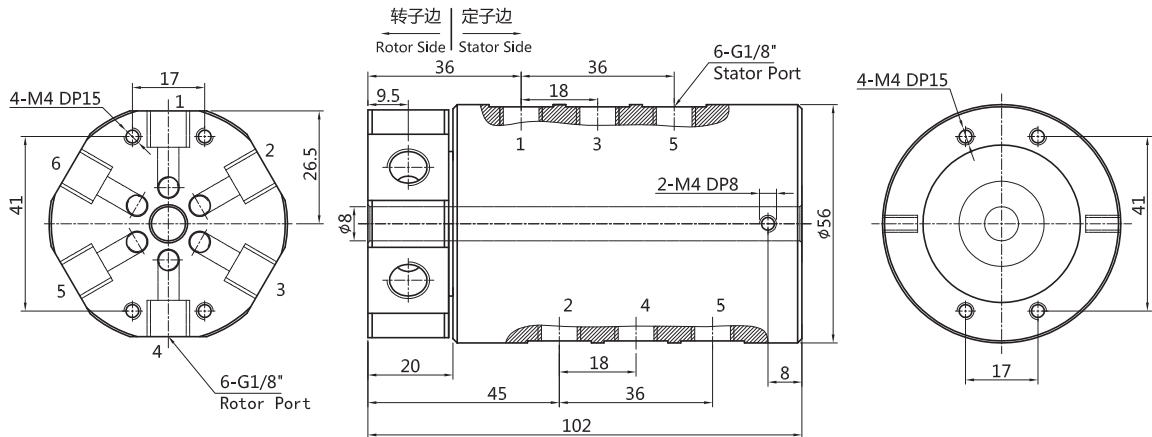
For example:

0610:6 circuits@10A 1230:12 circuits@30A

For example:

06S:6 circuits signal@2A
12S:12 circuits signal@2A

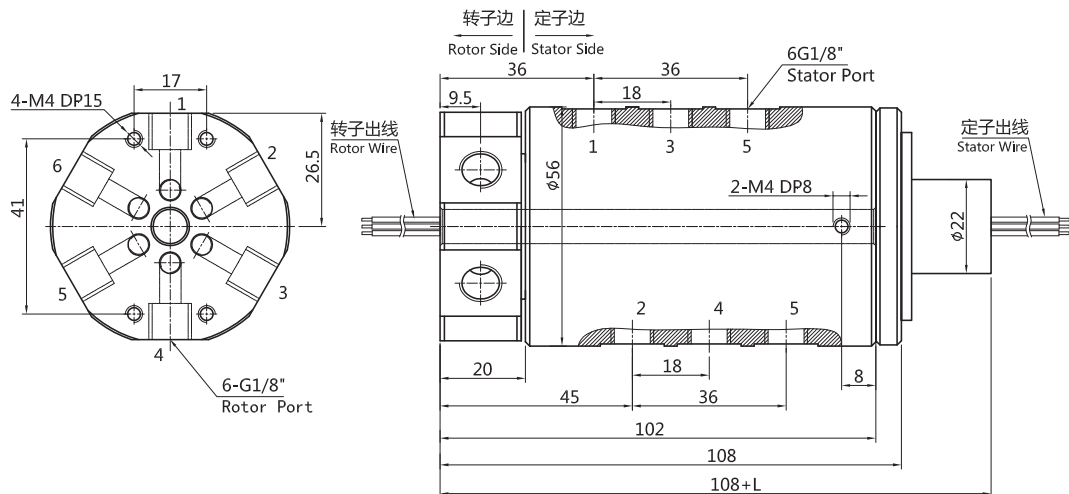
3006006 (Rotary Union Only) Drawing, 6 Passage(6~8mm pipe)



Standard Model List

Model	Passages(Gas/Flow)	Port Size	Pipe Size
3006006	6	G1/8"	6~8mm

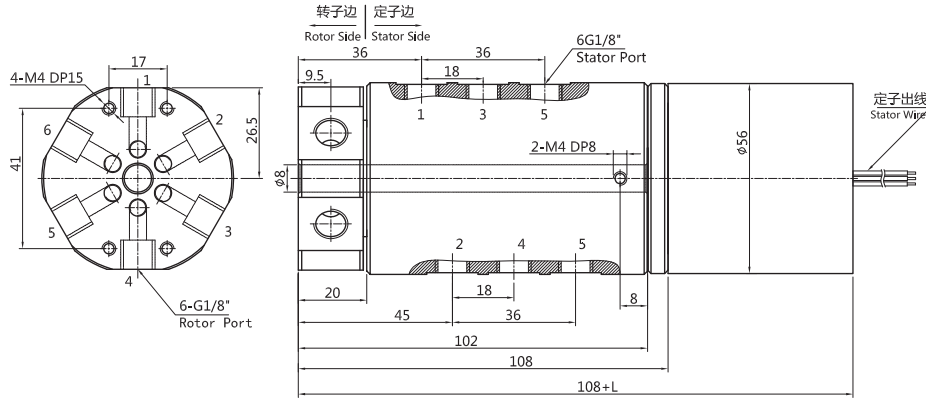
3006006-X3AX4S 6 Passage(6~8mm pipe)+electrical power/signal(5A, 10A option)



Standard Model List

Model	Passages(Gas/Flow)	Port Size	Pipe Size	Signal Circuits(2A)	Length L(mm)
3006006-06	6	G1/8"	6~8mm	6	14
3006006-12	6	G1/8"	6~8mm	12	21
3006006-24S	6	G1/8"	6~8mm	24	35
3006006-36S	6	G1/8"	6~8mm	36	52.3
3006006-56S	6	G1/8"	6~8mm	56	82

3006006-X3AX4S 6 Passage(6~8mm pipe)+electrical power/signal(5A, 10A option)



Standard Model List

Model	Passages	Port Size	Pipe Size	Circuits		Length L(mm)
				Power(10A)	Signal(2A)	
3006006-06S	6	G1/8"	6~8mm	0	6	38
3006006-0610	6	G1/8"	6~8mm	6	0	38
3006006-12S	6	G1/8"	6~8mm	0	12	55
3006006-0610-06S	6	G1/8"	6~8mm	6	6	55
3006006-1210	6	G1/8"	6~8mm	12	0	55
3006006-0610-12S	6	G1/8"	6~8mm	6	12	71.5
3006006-1210-06S	6	G1/8"	6~8mm	12	6	71.5
3006006-18S	6	G1/8"	6~8mm	0	18	71.5
3006006-1810	6	G1/8"	6~8mm	18	0	71.5
3006006-0610-18S	6	G1/8"	6~8mm	6	18	88.5
3006006-24S	6	G1/8"	6~8mm	0	24	88.5
3006006-30S	6	G1/8"	6~8mm	0	30	106
3006006-36S	6	G1/8"	6~8mm	0	36	125

Technical Specification

Rotary Union Specification			
Passages	6 Passage	Max. Pressure	1Mpa, Vacuum -90kPa
Pipe size	6~8mm Pipe(G1/8")	torque	<0.6N.m
Mechanical parameters		Electrical parameters	
Spec.	Data	Spec.	Data
Working Life	20millions for ref (depends on working conditions)	Voltage Range	0~440VAC/VDC
		Insulation Resistance	<500MΩ/300VDC
Max. Speed	250RPM continously, 1000RPM intermittently	Lead Wire Spec.	AWG17# Silver-plated teflon wire
		Lead Wire Length	standard 250mm(can be customized)
Working Temp.	-30°C~80°C	Insulation Resistance	500VAC@50Hz,6s
Work Humidity	0~85% RH	Electrical Noise	<0.01Ω
Contact Material	precious metal		
Housing Material	aluminum alloy		
IP Grade	IP51		

3008006 Series G1/8 6 Passage Rotary Unions

8 Passage(G1/8" port,6~8mm pipes)+Electrical(Power/Signal)

support G1/8" port for 6~8mm pipes,can transfer various mediums including compressed air,steam,vacuum,negative pressure,positive pressure,cooling water,hot oil,etc when 360° rotating , it also can combine to transmit electrical power and signal.



Part No. Description

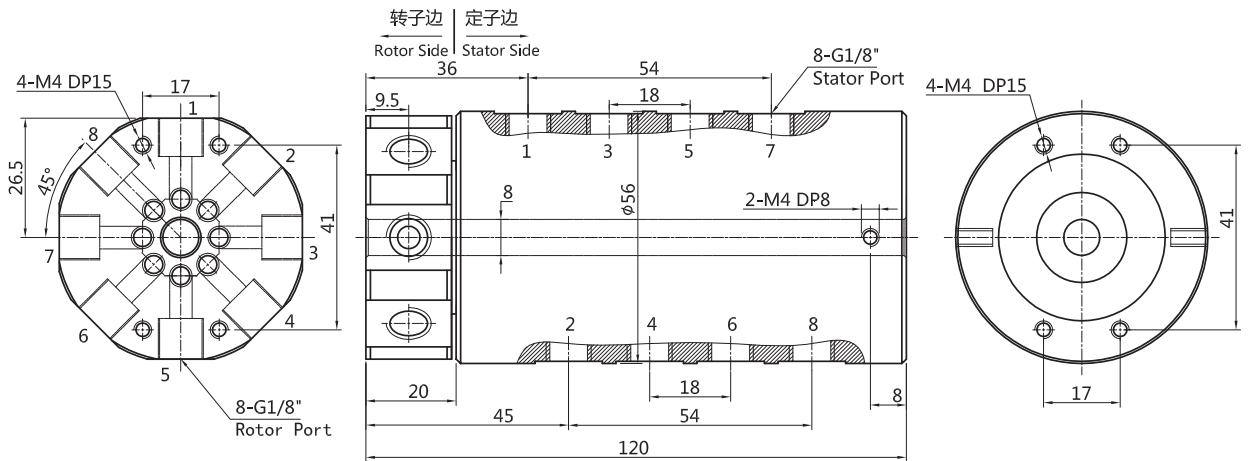
3008006 - Power Circuits - Signal Circuits

8 Passage Rotary Unions
G1/8" port ,6mm pipes

For example:
0610:6 circuits@10A 1230:12 circuits@30A

For example:
06S:6 circuits signal@2A
12S:12 circuits signal@2A

3008006 (Rotary Union Only) Drawing,8 Passage(6~8mm pipe)

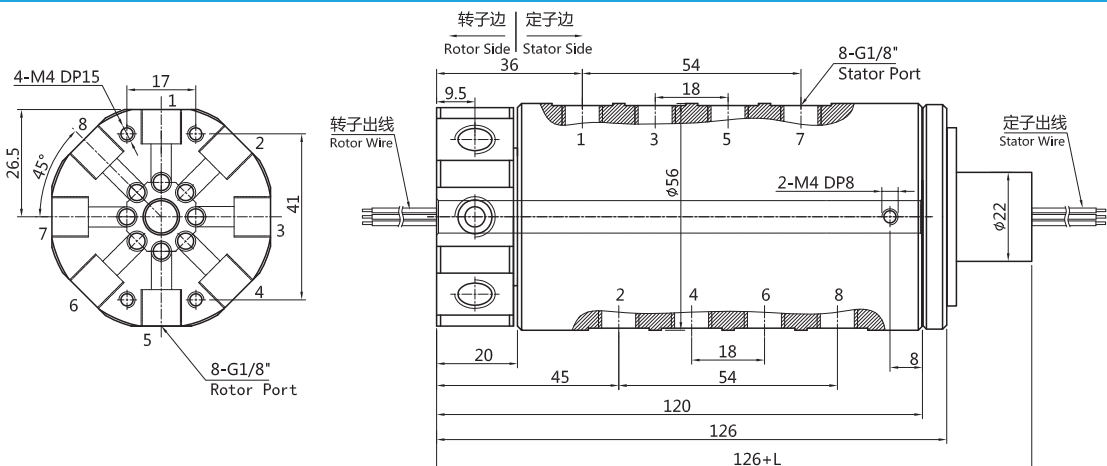


Standard Model List

Model	Passages(Gas/Flow)	Port Size	Pipe Size
3008006	8	G1/8"	6~8mm

3008006-X4S 8 Passage(6~8mm pipe)

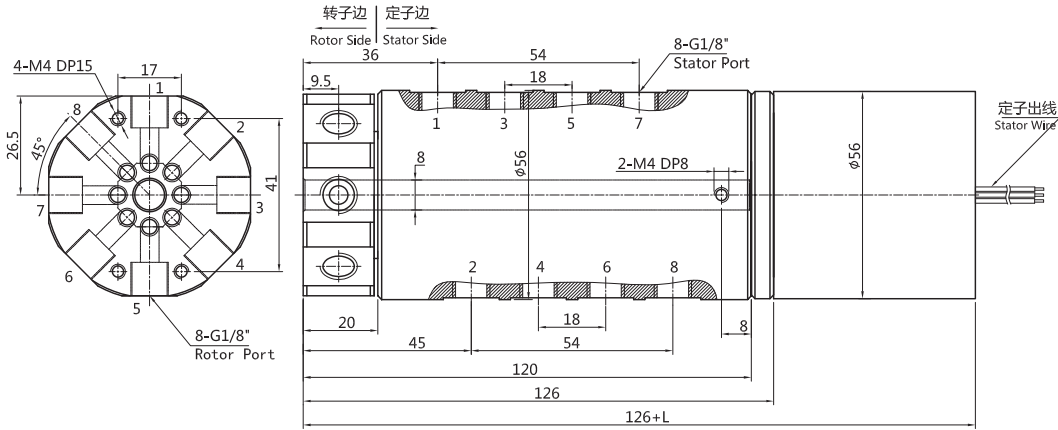
+6~56 circuits electrical signal@2A (Suitable for Solenoid valve or Sensor switch Signals)



Standard Model List

Model	Passages(Gas/Flow)	Port Size	Pipe Size	Signal Circuits(2A)	Length L(mm)
3008006-06	8	G1/8"	6~8mm	6	14
3008006-12	8	G1/8"	6~8mm	12	21
3008006-24S	8	G1/8"	6~8mm	24	35
3008006-36S	8	G1/8"	6~8mm	36	52.3
3008006-56S	8	G1/8"	6~8mm	56	82

3008006-X3AX4S 8 Passage(6~8mm pipe)+electrical power/signal(5A, 10A option)



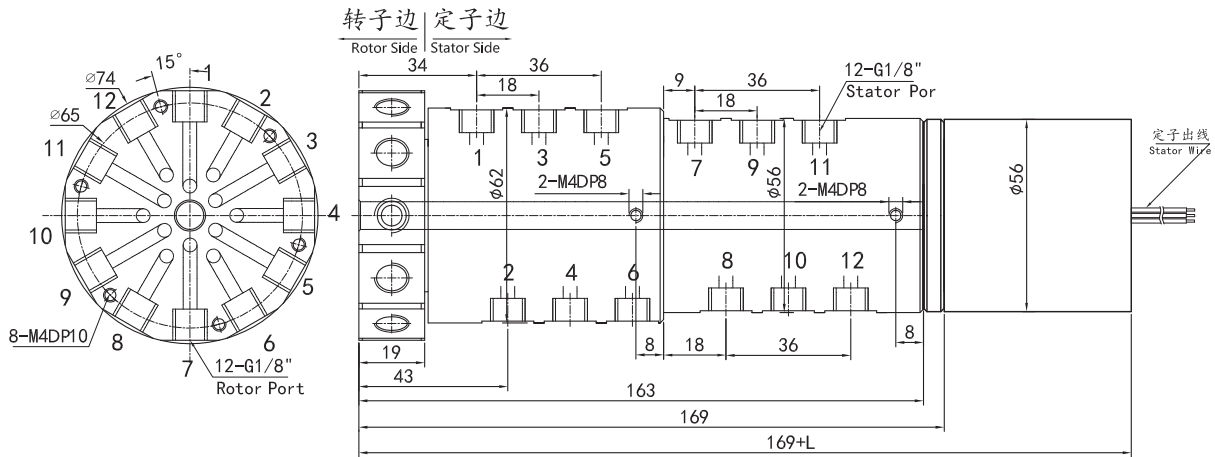
Standard Model List

Model	Passages	Port Size	Pipe Size	Circuits		Length L(mm)
				Power(10A)	Signal(2A)	
3008006-06S	8	G1/8"	6~8mm	0	6	38
3008006-0610	8	G1/8"	6~8mm	6	0	38
3008006-12S	8	G1/8"	6~8mm	0	12	55
3008006-0610-06S	8	G1/8"	6~8mm	6	6	55
3008006-1210	8	G1/8"	6~8mm	12	0	55
3008006-0610-12S	8	G1/8"	6~8mm	6	12	71.5
3008006-1210-06S	8	G1/8"	6~8mm	12	6	71.5
3008006-18S	8	G1/8"	6~8mm	0	18	71.5
3008006-1810	8	G1/8"	6~8mm	18	0	71.5
3008006-0610-18S	8	G1/8"	6~8mm	6	18	88.5
3008006-24S	8	G1/8"	6~8mm	0	24	88.5
3008006-30S	8	G1/8"	6~8mm	0	30	106
3008006-36S	8	G1/8"	6~8mm	0	36	125

Technical Specification

Rotary Union Specification			
Passages	8 Passage	Max. Pressure	1Mpa, Vacuum -90kPa
Pipe size	6~8mm Pipe(G1/8")	torque	<0.8N.m
Mechanical parameters		Electrical parameters	
Spec.	Data	Spec.	Data
Working Life	20millions for ref (depends on working conditions)	Voltage Range	Power
			Signal
Max. Speed	250RPM continously, 1000RPM intermittently	Insulation Resistance	0~440VAC/VDC
			0~440VAC/VDC
Working Temp.	-30°C~80°C	Lead Wire Spec.	AWG17# Silver-plated teflon wire
			AWG22# Silver-plated teflon wire
Work Humidity	0~85% RH	Lead Wire Length	standard 250mm(can be customized)
Contact Material	precious metal	Insulation Resistance	500VAC@50Hz,6s
Housing Material	aluminum alloy	Electrical Noise	<0.01Ω
IP Grade	IP51		

3012006-X3AX4S 12 Passage(6~8mm pipe)+electrical power/signal(5A, 10A option)



Standard Model List

Model	Passages	Port Size	Pipe Size	Circuits		Length L(mm)
				Power(10A)	Signal(2A)	
3012006-06S	12	G1/8"	6~8mm	0	6	38
3012006-0610	12	G1/8"	6~8mm	6	0	38
3012006-12S	12	G1/8"	6~8mm	0	12	55
3012006-0610-06S	12	G1/8"	6~8mm	6	6	55
3012006-1210	12	G1/8"	6~8mm	12	0	55
3012006-0610-12S	12	G1/8"	6~8mm	6	12	71.5
3012006-1210-06S	12	G1/8"	6~8mm	12	6	71.5
3012006-18S	12	G1/8"	6~8mm	0	18	71.5
3012006-1810	12	G1/8"	6~8mm	18	0	71.5
3012006-0610-18S	12	G1/8"	6~8mm	6	18	88.5
3012006-24S	12	G1/8"	6~8mm	0	24	88.5
3012006-30S	12	G1/8"	6~8mm	0	30	106
3012006-36S	12	G1/8"	6~8mm	0	36	125

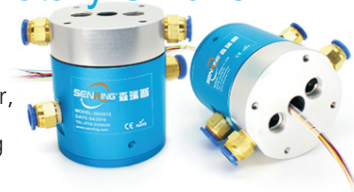
Technical Specification

Rotary Union Specification			
Passages	12 Passage	Max. Pressure	1Mpa, Vacuum -90kPa
Pipe size	6~8mm Pipe(G1/8")	torque	<1.2N.m
Mechanical parameters		Electrical parameters	
Spec.	Data	Spec.	Data
Working Life	20millions for ref (depends on working conditions)	Voltage Range	Power: 0~440VAC/VDC Signal: 0~440VAC/VDC
		Insulation Resistance	<500MΩ/300VDC
Max. Speed	250RPM continously, 1000RPM intermittently	Lead Wire Spec.	AWG17# Silver-plated teflon wire AWG22# Silver-plated teflon wire
Working Temp.	-30°C~80°C	Lead Wire Length	standard 25 0mm(can be customized)
Work Humidity	0~85% RH	Insulation Resistance	500VAC@50Hz,6s
Contact Material	precious metal	Electrical Noise	<0.01 Ω
Housing Material	aluminum alloy		
IP Grade	IP51		

3002012 Series 2 Passages Pneumatic & Hydraulic Rotary Unions

2 Passage(G3/8" port, 10~12mm pipes)+Electrical(Power/Signal)

support G3/8" port for 10~12mm pipes, can transfer various mediums including compressed air, steam, vacuum, negative pressure, positive pressure, cooling water, hot oil, etc when 360° rotating, it also can combine to transmit electrical power and signal.



Part No. Description

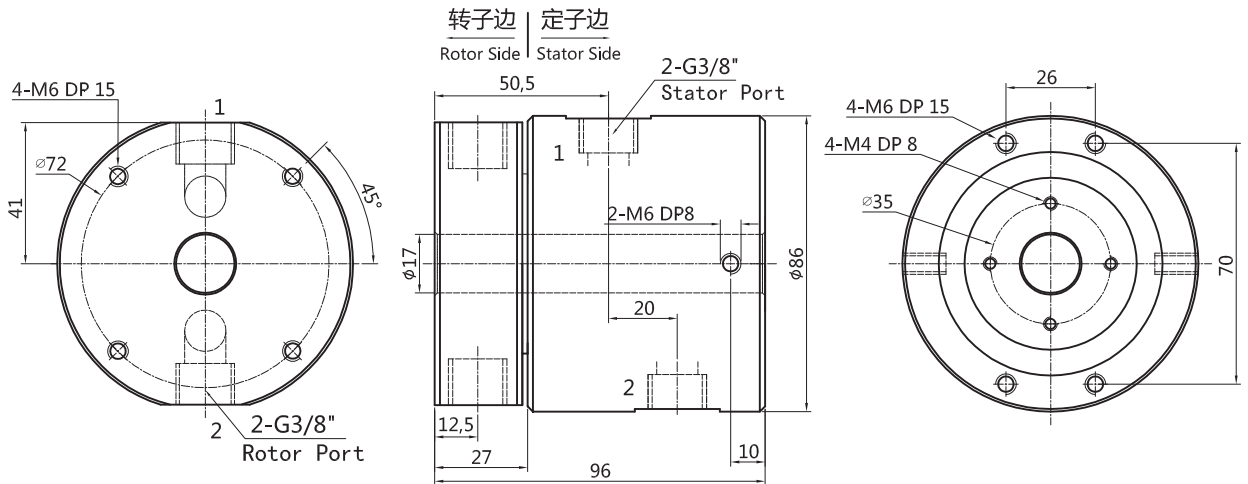
3002012 - Power Circuits - Signal Circuits

2 Passage Rotary Unions
G3/8" port, 10~12mm pipes

For example:
0610:6 circuits@10A 1230:12 circuits@30A

For example:
06S:6 circuits signal@2A
12S:12 circuits signal@2A

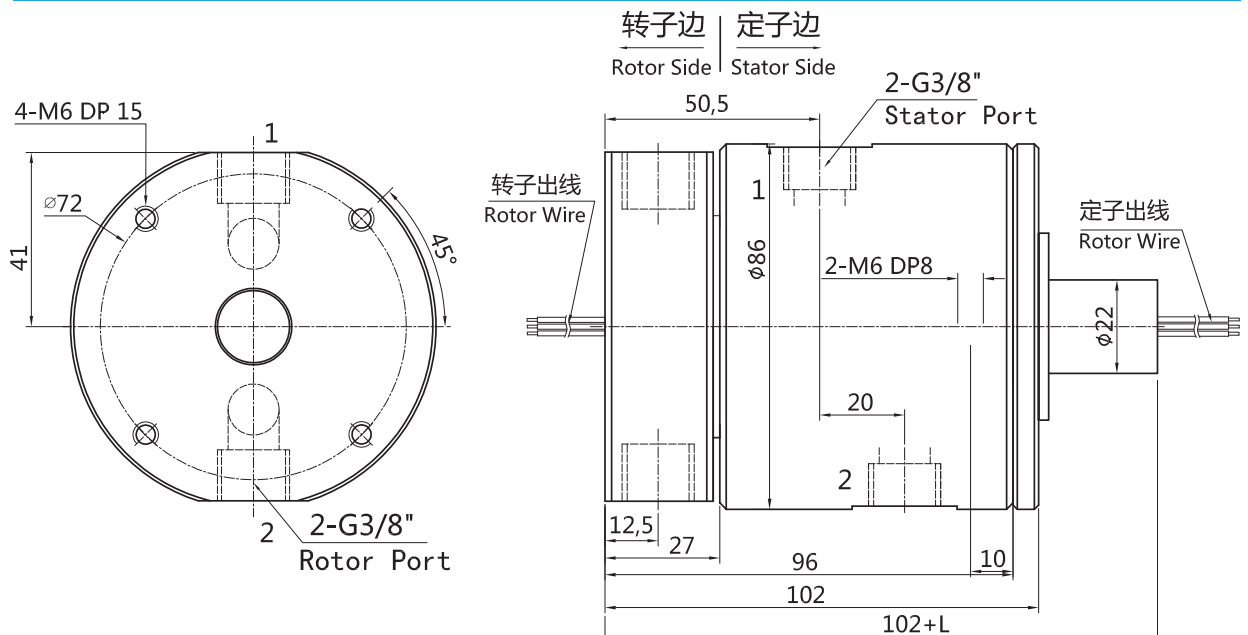
3002012 (Rotary Union Only) Drawing, 2 Passage(10~12mm pipe)



Standard Model List

Model	Passages(Gas/Flow)	Port Size	Pipe Size
3002012	2	G3/8"	10~12mm

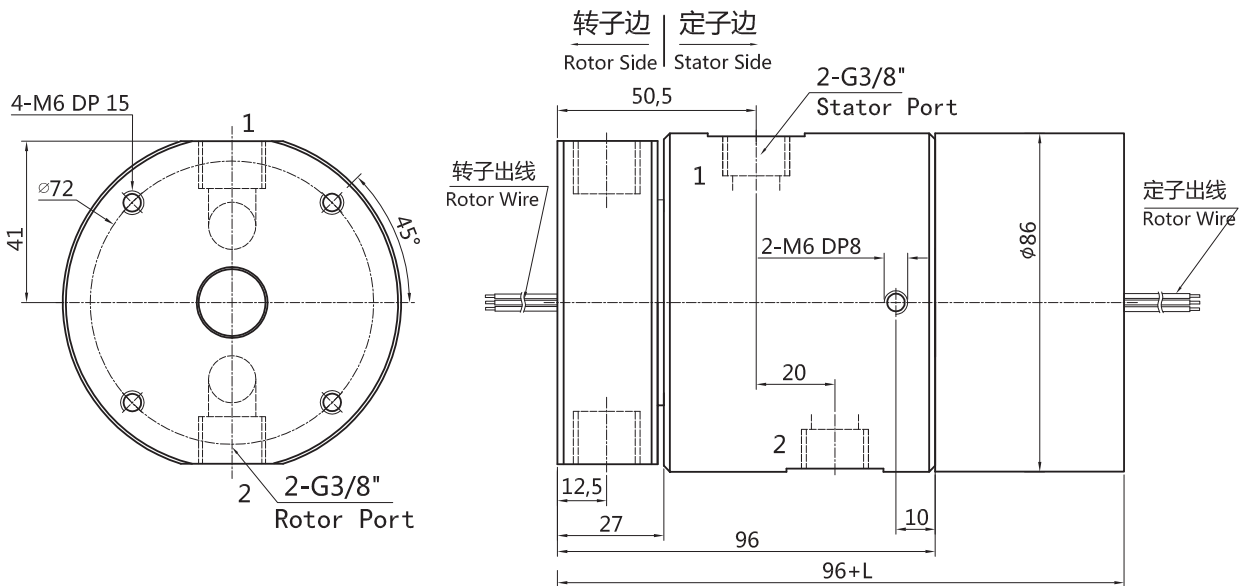
3002012-X4S 2 Passage(10~12mm pipe)
+6~56 circuits electrical signal@2A(Suitable for Solenoid valve or Sensor switch Signals)



Standard Model List

Model	Passages(Gas/Flow)	Port Size	Pipe Size	Signal Circuits(2A)	Length L(mm)
3002012-06	2	G3/8"	10~12mm	6	14
3002012-12	2	G3/8"	10~12mm	12	21
3002012-24S	2	G3/8"	10~12mm	24	35
3002012-36S	2	G3/8"	10~12mm	36	52.3
3002012-56S	2	G3/8"	10~12mm	56	82

3002012-X3AX4S 2 Passage(10~12mm pipe)+electrical power/signal(5A,10A option)



Standard Model List

Model	Passages	Port Size	Pipe Size	Circuits		Length L(mm)
				Power(10A)	Signal(2A)	
3002012-06S	2	G3/8"	10~12mm	0	6	48
3002012-0610	2	G3/8"	10~12mm	6	0	48
3002012-12S	2	G3/8"	10~12mm	0	12	72
3002012-0610-06S	2	G3/8"	10~12mm	6	6	72
3002012-1210	2	G3/8"	10~12mm	12	0	72
3002012-0610-12S	2	G3/8"	10~12mm	6	12	96
3002012-1210-06S	2	G3/8"	10~12mm	12	6	96
3002012-18S	2	G3/8"	10~12mm	0	18	96
3002012-1810	2	G3/8"	10~12mm	18	0	96
3002012-0610-18S	2	G3/8"	10~12mm	6	18	120
3002012-24S	2	G3/8"	10~12mm	0	24	120
3002012-2410	2	G3/8"	10~12mm	24	0	120
3002012-36S	2	G3/8"	10~12mm	0	36	168
3002012-1210-24S	2	G3/8"	10~12mm	12	24	168
3002012-3610	2	G3/8"	10~12mm	36	0	168
3002012-48S	2	G3/8"	10~12mm	0	48	216
3002012-1210-36S	2	G3/8"	10~12mm	12	36	216
3002012-4810	2	G3/8"	10~12mm	48	0	216
3002012-60S	2	G3/8"	10~12mm	0	60	264
3002012-1210-48S	2	G3/8"	10~12mm	12	48	264
3002012-72S	2	G3/8"	10~12mm	0	72	312

Model	Passages	Port Size	Pipe Size	Circuits		Length L(mm)
				Power(10A)	Signal(2A)	
3002012-2410-48S	2	G3/8"	10~12mm	24	48	312
3002012-84S	2	G3/8"	10~12mm	0	84	360
3002012-2410-60S	2	G3/8"	10~12mm	20	60	360
3002012-96S	2	G3/8"	10~12mm	0	96	408
3002012-108S	2	G3/8"	10~12mm	0	108	456
3002012-120S	2	G3/8"	10~12mm	0	120	504

Technical Specification

Rotary Union Specification				
Passages	2 Passage	Max. Pressure	1Mpa, Vacuum -90kPa	
Pipe size	10~12mm Pipe(G3/8")	torque	<0.2N.m	
Mechanical parameters		Electrical parameters		
Spec.	Data	Spec.	Data	
Working Life	20millions for ref (depends on working conditions)	Voltage Range	0~440VAC/VDC	0~440VAC/VDC
		Insulation Resistance	<500MΩ/300VDC	<500MΩ/300VDC
Max. Speed	250RPM continuously, 1000RPM intermittently	Lead Wire Spec.	AWG17# Silver-plated teflon wire	AWG22# Silver-plated teflon wire
		Lead Wire Length	standard 250mm(can be customized)	
Working Temp.	-30°C~80°C	Insulation Resistance	500VAC@50Hz,6s	
Work Humidity	0~85% RH	Electrical Noise	<0.01Ω	
Contact Material	precious metal			
Housing Material	aluminum alloy			
IP Grade	IP51			

Color Code of Lead Wire

ring #	1	2	3	4	5	6	7	8	9	10	11	12
color	BLK	BRN	RED	ORG	YEL	GRN	BLU	PUR	GRY	WHT	PINK	LGT BLU

4 Passages Pneumatic & Hydraulic Rotary Unions

4 Passage(G3/8" port, 10~12mm pipes)+Electrical(Power/Signal)

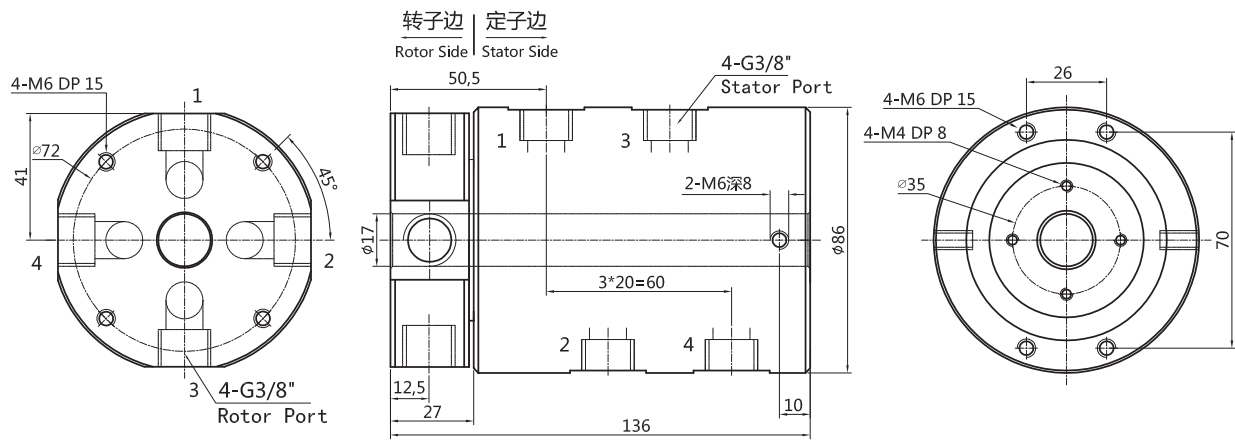
support G3/8" port for 10~12mm pipes, can transfer various mediums including compressed air, steam, vacuum, negative pressure, positive pressure, cooling water, hot oil, etc when 360° rotating, it also can combine to transmit electrical power and signal.



Part No. Description

3004012 - Power Circuits - Signal Circuits	
4 Passage Rotary Unions G3/8" port, 10~12mm pipes	
For example: 0610:6 circuits@10A 1230:12 circuits@30A	For example: 06S:6 circuits signal@2A 12S:12 circuits signal@2A

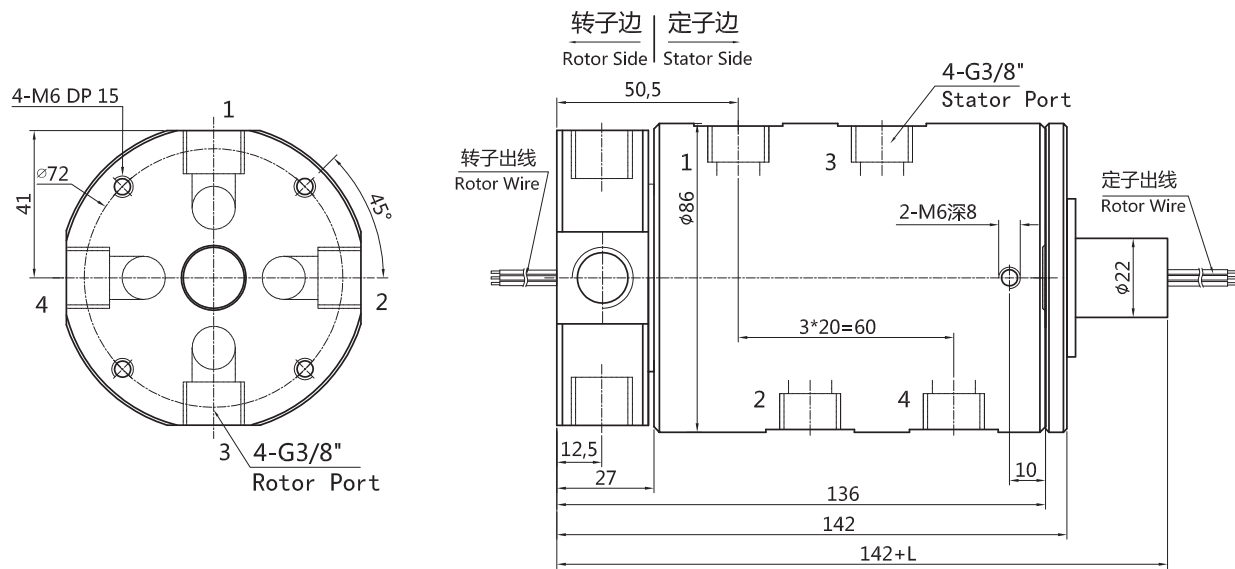
3004012 (Rotary Union Only) Drawing, 4 Passage(10~12mm pipe)



Standard Model List

Model	Passages(Gas/Flow)	Port Size	Pipe Size
3004012	4	G3/8"	10~12mm

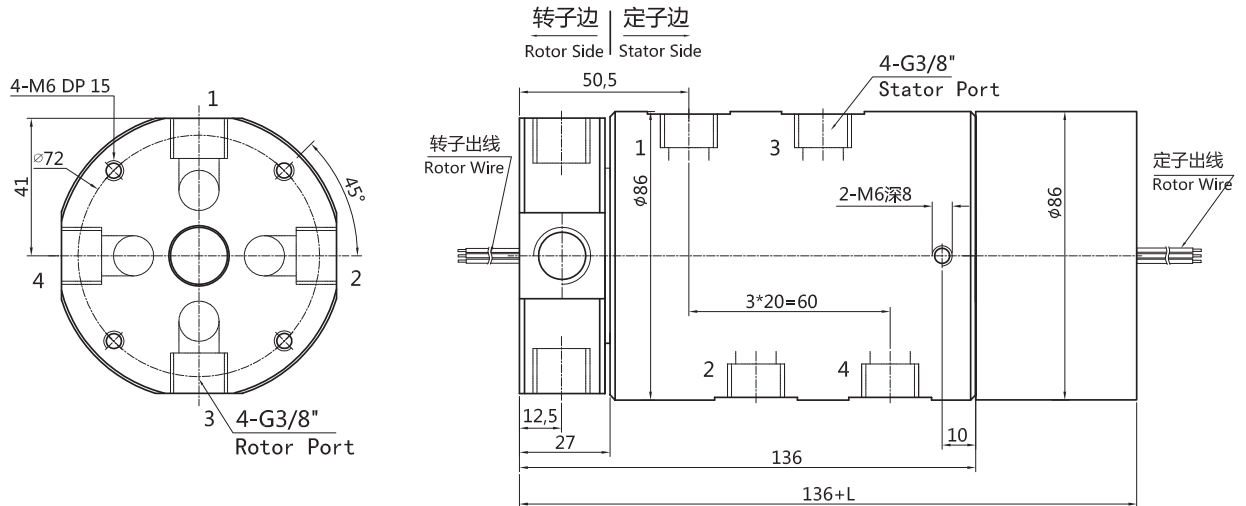
3004012-X3AX4S 4 Passage(10~12mm pipe)+electrical power/signal(5A, 10A option)



Standard Model List

Model	Passages(Gas/Flow)	Port Size	Pipe Size	Signal Circuits(2A)	Length L(mm)
3004012-06	4	G3/8"	10~12mm	6	14
3004012-12	4	G3/8"	10~12mm	12	21
3004012-24S	4	G3/8"	10~12mm	24	35
3004012-36S	4	G3/8"	10~12mm	36	52.3
3004012-56S	4	G3/8"	10~12mm	56	82

3004012-X3AX4S 4 Passage(10~12mm pipe)+electrical power/signal(5A, 10A option)



Standard Model List

Model	Passages	Port Size	Pipe Size	Circuits		Length L(mm)
				Power(10A)	Signal(2A)	
3004012-06S	4	G3/8"	10~12mm	0	6	48
3004012-0610	4	G3/8"	10~12mm	6	0	48
3004012-12S	4	G3/8"	10~12mm	0	12	72
3004012-0610-06S	4	G3/8"	10~12mm	6	6	72
3004012-1210	4	G3/8"	10~12mm	12	0	72
3004012-0610-12S	4	G3/8"	10~12mm	6	12	96
3004012-1210-06S	4	G3/8"	10~12mm	12	6	96
3004012-18S	4	G3/8"	10~12mm	0	18	96
3004012-1810	4	G3/8"	10~12mm	18	0	96
3004012-0610-18S	4	G3/8"	10~12mm	6	18	120
3004012-24S	4	G3/8"	10~12mm	0	24	120
3004012-2410	4	G3/8"	10~12mm	24	0	120
3004012-36S	4	G3/8"	10~12mm	0	36	168
3004012-1210-24S	4	G3/8"	10~12mm	12	24	168
3004012-3610	4	G3/8"	10~12mm	36	0	168
3004012-48S	4	G3/8"	10~12mm	0	48	216
3004012-1210-36S	4	G3/8"	10~12mm	12	36	216
3004012-4810	4	G3/8"	10~12mm	48	0	216
3004012-60S	4	G3/8"	10~12mm	0	60	264
3004012-1210-48S	4	G3/8"	10~12mm	12	48	264
3004012-72S	4	G3/8"	10~12mm	0	72	312
3004012-2410-48S	4	G3/8"	10~12mm	24	48	312

Model	Passages	Port Size	Pipe Size	Circuits		Length L(mm)
				Power(10A)	Signal(2A)	
3004012-84S	4	G3/8"	10~12mm	0	84	360
3004012-2410-60S	4	G3/8"	10~12mm	20	60	360
3004012-96S	4	G3/8"	10~12mm	0	96	408
3004012-108S	4	G3/8"	10~12mm	0	108	456
3004012-120S	4	G3/8"	10~12mm	0	120	504

Technical Specification

Rotary Union Specification					
Passages	4 Passage		Max. Pressure	1Mpa, Vacuum -90kPa	
Pipe size	10~12mm Pipe(G3/8")		torque	<0.4N.m	
Mechanical parameters			Electrical parameters		
Spec.	Data		Spec.	Data	
Working Life	20millions for ref (depends on working conditions)		Voltage Range	0~440VAC/VDC	0~440VAC/VDC
			Insulation Resistance	<500MΩ/300VDC	<500MΩ/300VDC
Max. Speed	250RPM continously, 1000RPM intermittently		Lead Wire Spec.	AWG17# Silver-plated teflon wire	AWG22# Silver-plated teflon wire
			Lead Wire Length	standard 250mm(can be customized)	
Working Temp.	-30°C~80°C		Insulation Resistance	500VAC@50Hz,6s	
Work Humidity	0~85% RH		Electrical Noise	<0.01Ω	
Contact Material	precious metal		IP Grade		
Housing Material	aluminum alloy		IP51		

Color Code of Lead Wire

ring #	1	2	3	4	5	6	7	8	9	10	11	12
color	BLK	BRN	RED	ORG	YEL	GRN	BLU	PUR	GRY	WHT	PINK	LGT BLU

3008012 Series 8 Passages Pneumatic & Hydraulic Rotary Unions

8 Passage(G3/8" port, 10~12mm pipes)+Electrical(Power/Signal)

support G3/8" port for 10~12mm pipes, can transfer various mediums including compressed air, steam, vacuum, negative pressure, positive pressure, cooling water, hot oil, etc when 360° rotating, it also can combine to transmit electrical power and signal.



Part No. Description

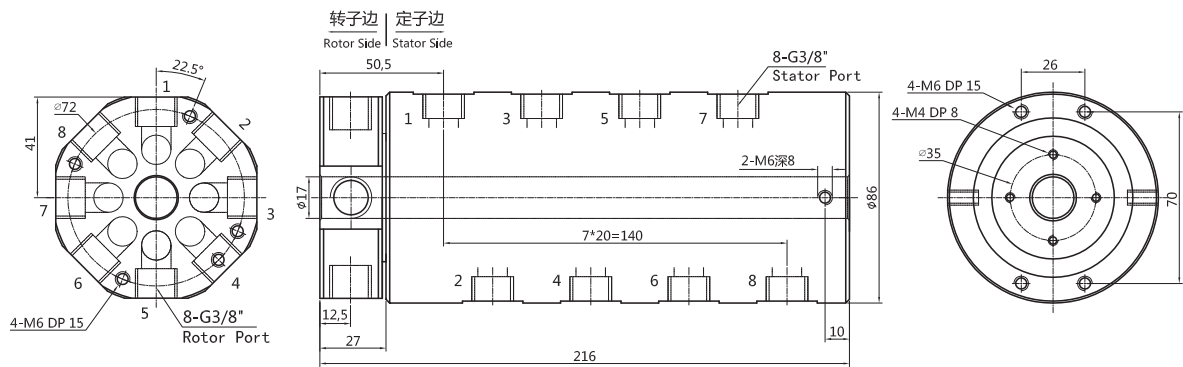
8 Passage Rotary Unions
G3/8" port, 12mm pipes

For example:
0610:6 circuits@10A 1230:12 circuits@30A

3008012 - Power Circuits - Signal Circuits

For example:
06S:6 circuits signal@2A
12S:12 circuits signal@2A

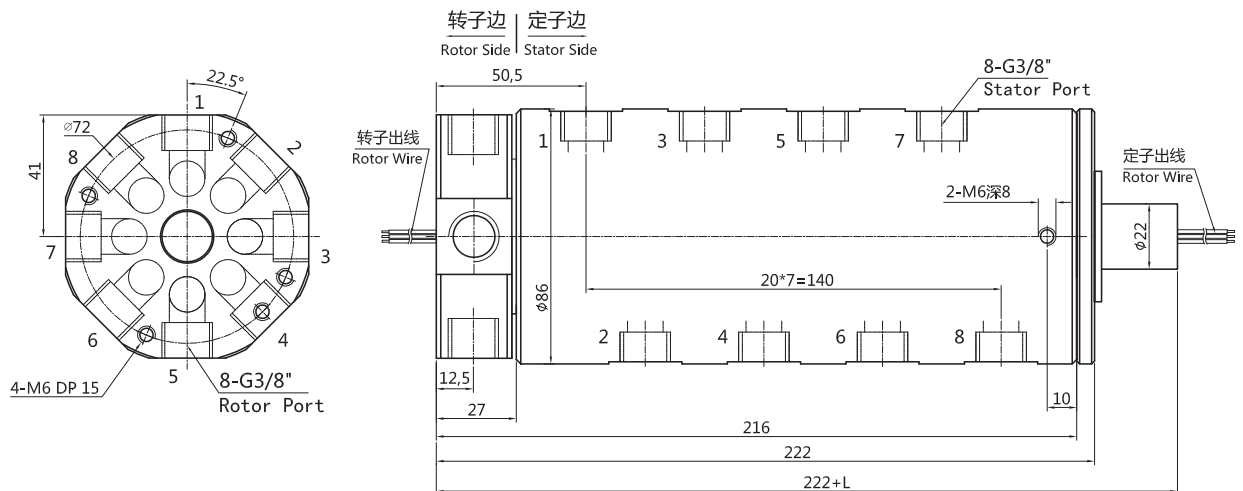
3008012 (Rotary Union Only) Drawing, 8 Passage(10~12mm pipe)



Standard Model List

Model	Passages(Gas/Flow)	Port Size	Pipe Size
3008012	8	G3/8"	10~12mm

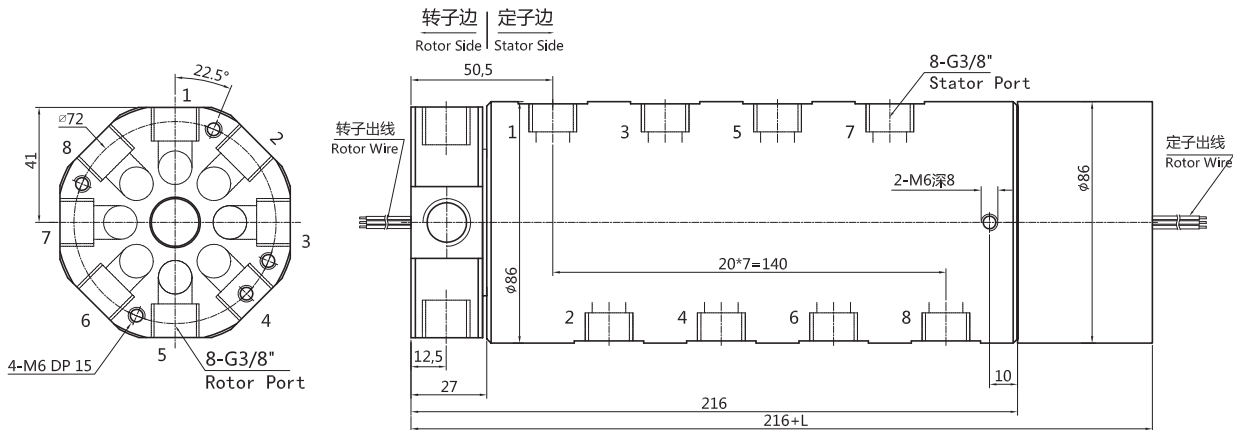
3008012-X4S 8 Passage(10~12mm pipe)
+6~56 circuits electrical signal@2A (Suitable for Solenoid valve or Sensor switch Signals)



Standard Model List

Model	Passages(Gas/Flow)	Port Size	Pipe Size	Signal Circuits(2A)	Length L(mm)
3008012-06	8	G3/8 "	10~12mm	6	14
3008012-12	8	G3/8 "	10~12mm	12	21
3008012-24S	8	G3/8 "	10~12mm	24	35
3008012-36S	8	G3/8 "	10~12mm	36	52.3
3008012-56S	8	G3/8 "	10~12mm	56	82

3008012 (Rotary Union Only) Drawing,8 Passage(10~12mm pipe)



Standard Model List

Model	Passages	Port Size	Pipe Size	Circuits		Length L(mm)
				Power(10A)	Signal(2A)	
3008012-06S	8	G3/8 "	10~12mm	0	6	48
3008012-0610	8	G3/8 "	10~12mm	6	0	48
3008012-12S	8	G3/8 "	10~12mm	0	12	72
3008012-0610-06S	8	G3/8 "	10~12mm	6	6	72
3008012-1210	8	G3/8 "	10~12mm	12	0	72
3008012-0610-12S	8	G3/8 "	10~12mm	6	12	96
3008012-1210-06S	8	G3/8 "	10~12mm	12	6	96
3008012-18S	8	G3/8 "	10~12mm	0	18	96
3008012-1810	8	G3/8 "	10~12mm	18	0	96
3008012-0610-18S	8	G3/8 "	10~12mm	6	18	120
3008012-24S	8	G3/8 "	10~12mm	0	24	120
3008012-2410	8	G3/8 "	10~12mm	24	0	120
3008012-36S	8	G3/8 "	10~12mm	0	36	168
3008012-1210-24S	8	G3/8 "	10~12mm	12	24	168
3008012-3610	8	G3/8 "	10~12mm	36	0	168
3008012-48S	8	G3/8 "	10~12mm	0	48	216
3008012-1210-36S	8	G3/8 "	10~12mm	12	36	216
3008012-4810	8	G3/8 "	10~12mm	48	0	216
3008012-60S	8	G3/8 "	10~12mm	0	60	264
3008012-1210-48S	8	G3/8 "	10~12mm	12	48	264
3008012-72S	8	G3/8 "	10~12mm	0	72	312
3008012-2410-48S	8	G3/8 "	10~12mm	24	48	312
3008012-84S	8	G3/8 "	10~12mm	0	84	360
3008012-2410-60S	8	G3/8 "	10~12mm	20	60	360

Model	Passages	Port Size	Pipe Size	Circuits		Length L(mm)
				Power(10A)	Signal(2A)	
3008012-96S	8	G3/8"	10~12mm	0	96	408
3008012-108S	8	G3/8"	10~12mm	0	108	456
3008012-120S	8	G3/8"	10~12mm	0	120	504

Technical Specification

Rotary Union Specification			
Passages	8 Passage	Max. Pressure	1Mpa, Vacuum -90kPa
Pipe size	10~12mm Pipe(G3/8")	torque	<0.8N.m
Mechanical parameters		Electrical parameters	
Spec.	Data	Spec.	Data
Working Life	20millions for ref (depends on working conditions)		Power
Max. Speed	250RPM continuously, 1000RPM intermittently	Voltage Range	0~440VAC/VDC
		Insulation Resistance	<500MΩ/300VDC
Working Temp.	-30°C~80°C	Lead Wire Spec.	AWG22# Silver-plated teflon wire
Work Humidity	0~85% RH	Lead Wire Length	standard 250mm(can be customized)
Contact Material	precious metal	Insulation Resistance	500VAC@50Hz,6s
Housing Material	aluminum alloy	Electrical Noise	<0.01Ω
IP Grade	IP51		

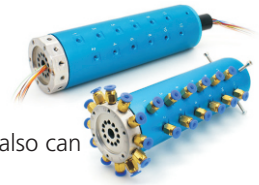
Color Code of Lead Wire

ring #	1	2	3	4	5	6	7	8	9	10	11	12
color	BLK	BRN	RED	ORG	YEL	GRN	BLU	PUR	GRY	WHT	PINK	LGT BLU

3012012 Series 12 Passages Pneumatic & Hydraulic Rotary Unions

12 Passage(G3/8" port, 10~12mm pipes)+Electrical(Power/Signal)

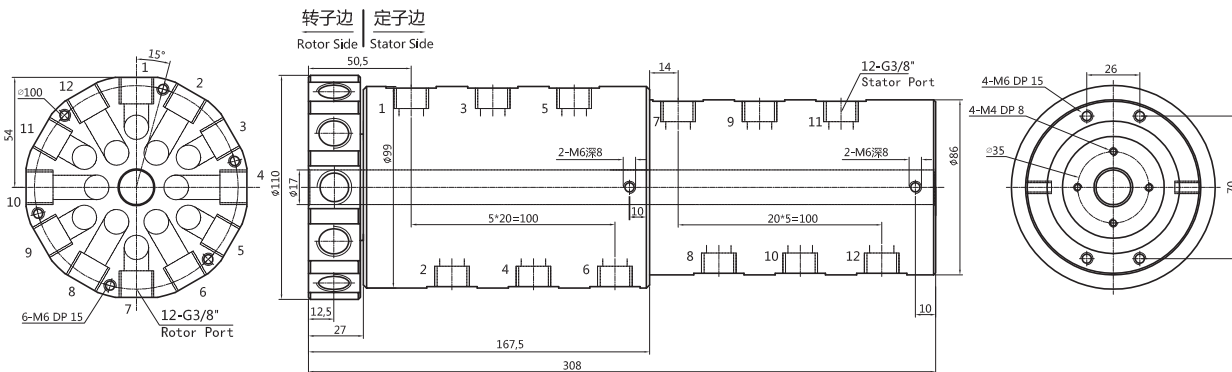
support G3/8" port for 10~12mm pipes, can transfer various mediums including compressed air, steam, vacuum, negative pressure, positive pressure, cooling water, hot oil, etc when 360° rotating, it also can combine to transmit electrical power and signal.



Part No. Description

3012012 - Power Circuits - Signal Circuits	
12 Passage Rotary Unions G3/8" port, 12mm pipes	For example: 06S:6 circuits@10A 1230:12 circuits@30A
For example: 0610:6 circuits@10A 1230:12 circuits@30A	For example: 06S:6 circuits signal@2A 12S:12 circuits signal@2A

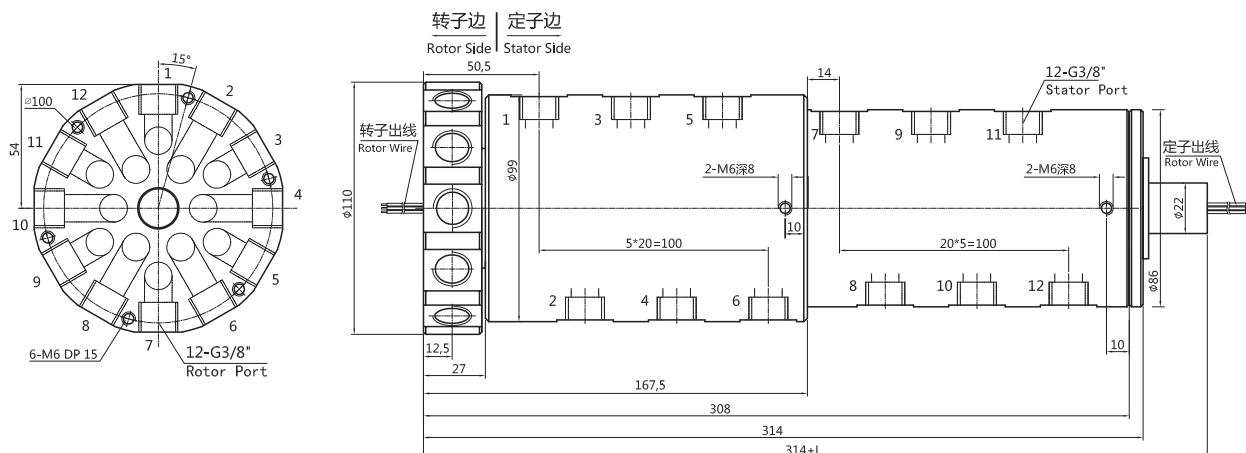
3012012 (Rotary Union Only) Drawing, 12 Passage(10~12mm pipe)



Standard Model List

Model	Passages(Gas/Flow)	Port Size	Pipe Size
3012012	12	G3/8"	10~12mm

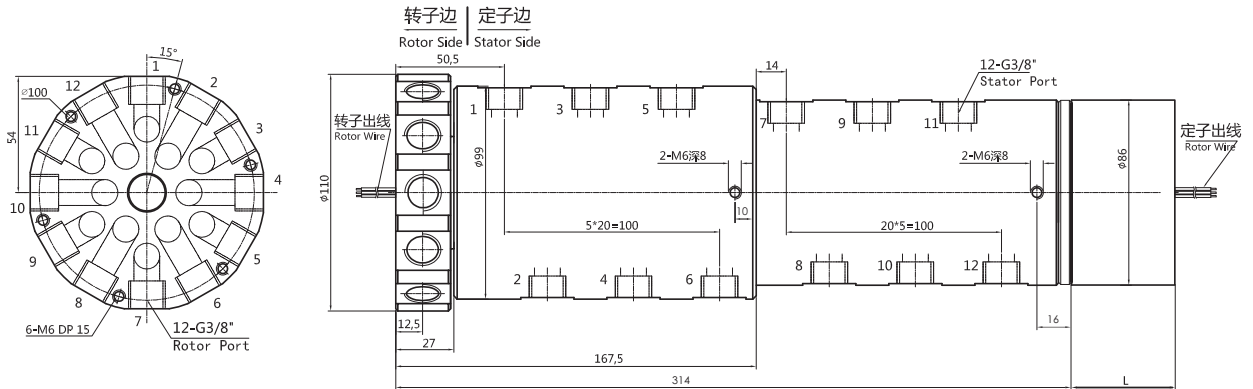
3012012-X4S 12 Passage(10~12mm pipe) +6~56 circuits electrical signal@2A (Suitable for Solenoid valve or Sensor switch Signals)



Standard Model List

Model	Passages(Gas/Flow)	Port Size	Pipe Size	Signal Circuits(2A)	Length L(mm)
3012012-06	12	G3/8"	10~12mm	6	14
3012012-12	12	G3/8"	10~12mm	12	21
3012012-24S	12	G3/8"	10~12mm	24	35
3012012-36S	12	G3/8"	10~12mm	36	52.3
3012012-56S	12	G3/8"	10~12mm	56	82

3012012-X3AX4S 12 Passage(10~12mm pipe)+electrical power/signal(5A, 10A option)



Standard Model List

Model	Passages	Port Size	Pipe Size	Circuits		Length L(mm)
				Power(10A)	Signal(2A)	
3012012-06S	12	G3/8"	10~12mm	0	6	48
3012012-0610	12	G3/8"	10~12mm	6	0	48
3012012-12S	12	G3/8"	10~12mm	0	12	72
3012012-0610-06S	12	G3/8"	10~12mm	6	6	72
3012012-1210	12	G3/8"	10~12mm	12	0	72
3012012-0610-12S	12	G3/8"	10~12mm	6	12	96
3012012-1210-06S	12	G3/8"	10~12mm	12	6	96
3012012-18S	12	G3/8"	10~12mm	0	18	96
3012012-1810	12	G3/8"	10~12mm	18	0	96
3012012-0610-18S	12	G3/8"	10~12mm	6	18	120
3012012-24S	12	G3/8"	10~12mm	0	24	120
3012012-2410	12	G3/8"	10~12mm	24	0	120
3012012-36S	12	G3/8"	10~12mm	0	36	168
3012012-1210-24S	12	G3/8"	10~12mm	12	24	168
3012012-3610	12	G3/8"	10~12mm	36	0	168
3012012-48S	12	G3/8"	10~12mm	0	48	216
3012012-1210-36S	12	G3/8"	10~12mm	12	36	216
3012012-4810	12	G3/8"	10~12mm	48	0	216
3012012-60S	12	G3/8"	10~12mm	0	60	264
3012012-1210-48S	12	G3/8"	10~12mm	12	48	264
3012012-72S	12	G3/8"	10~12mm	0	72	312
3012012-2410-48S	12	G3/8"	10~12mm	24	48	312
3012012-84S	12	G3/8"	10~12mm	0	84	360
3012012-2410-60S	12	G3/8"	10~12mm	20	60	360
3012012-96S	12	G3/8"	10~12mm	0	96	408
3012012-108S	12	G3/8"	10~12mm	0	108	456
3012012-120S	12	G3/8"	10~12mm	0	120	504

Technical Specification

Rotary Union Specification				
Passages	8 Passage	Max. Pressure	1Mpa, Vacuum -90kPa	
Pipe size	10~12mm Pipe(G3/8")	torque	<1.2N.m	
Mechanical parameters		Electrical parameters		
Spec.	Data	Spec.	Data	
Working Life	20millions for ref (depends on working conditions)		Power	Signal
Max. Speed	250RPM continously, 1000RPM intermittently	Voltage Range	0~440VAC/VDC	0~440VAC/VDC
Working Temp.	-30°C~80°C	Insulation Resistance	<500MΩ/300VDC	<500MΩ/300VDC
Work Humidity	0~85% RH	Lead Wire Spec.	AWG17# Silver-plated teflon wire	AWG22# Silver-plated teflon wire
Contact Material	precious metal	Lead Wire Length	standard 250mm(can be customized)	
Housing Material	aluminum alloy	Insulation Resistance	500VAC@50Hz,6s	
IP Grade	IP51	Electrical Noise	<0.01Ω	

Color Code of Lead Wire

ring #	1	2	3	4	5	6	7	8	9	10	11	12
color	BLK	BRN	RED	ORG	YEL	GRN	BLU	PUR	GRY	WHT	PINK	LGT BLU

3402004 Series Two Passage Hollow Shaft Rotary Unions(with center hole 20mm)



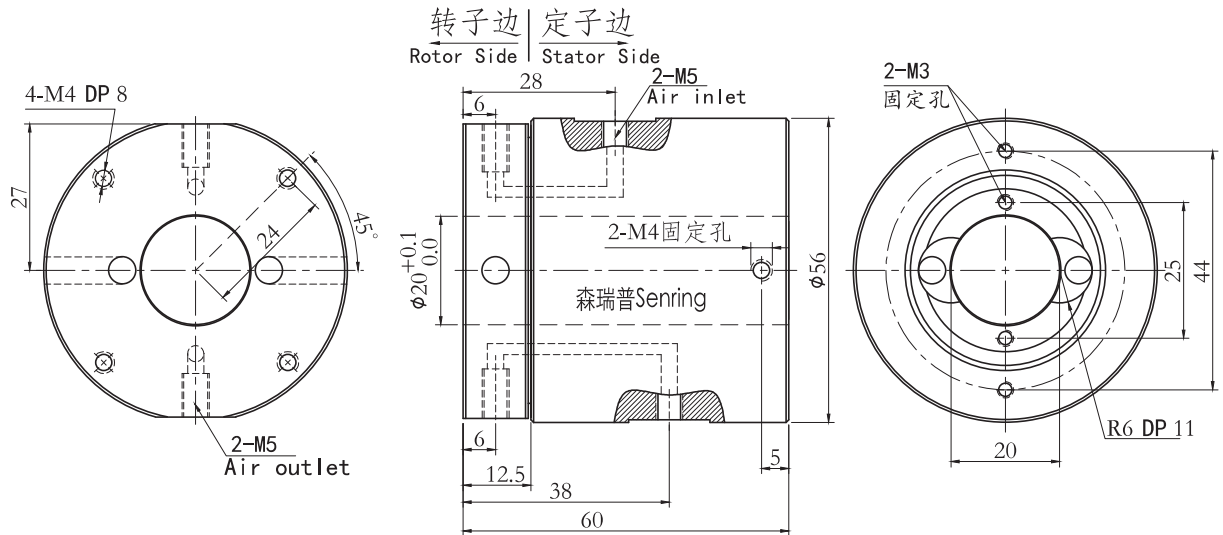
2 Passage(M5 port,4~6mm pipes)+Electrical(Power/Signal)

support M5 port for 6~8mm pipes,can transfer various mediums including compressed air,steam,vacuum,negative pressure,positive pressure,cooling water,hot oil,etc when 360° rotating , it also can combine to transmit electrical power and signal.

Part No. Description

Part No.	Description	For example:
3402004 - Power Circuits - Signal Circuits		05:5A 10:10A
2 Passage Rotary Unions M5 port ,4~6mm pipes with center hole 20mm		For example: 06:6 circuits 12:12 circuits

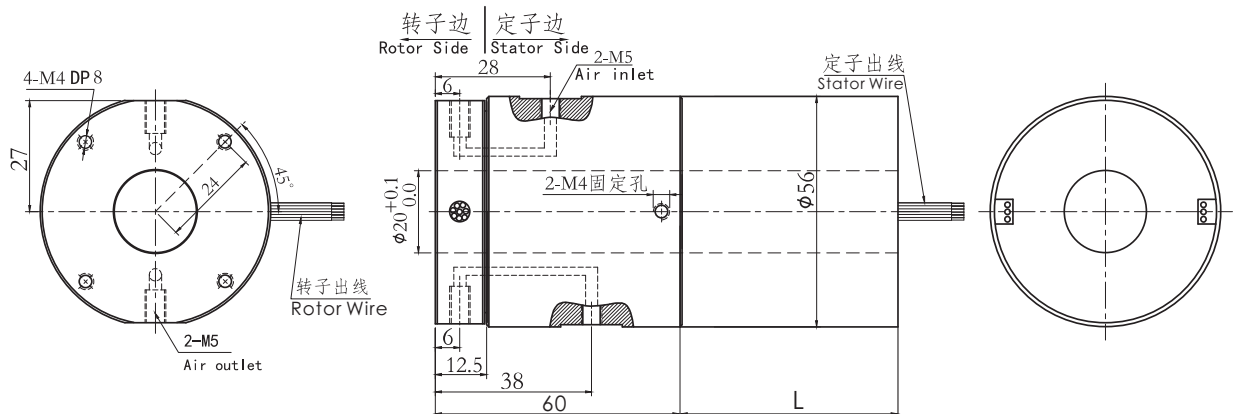
3402004 (Rotary Union Only) Drawing,2 Passage(4~6mm pipe,with center hole 20mm)



Standard Model List

Model	Passages(Gas/Flow)	Port Size	Pipe Size
3402004	2	M5	4~6mm

3402004-X3AX4S 2 Passage(4~6mm pipe,with center hole 20mm)+electrical power/signal(5A, 10A option)



Standard Model List

Model	Passages(Gas/Flow)	Port Size	Pipe Size	Signal Circuits(5A/10A)	Length L(mm)
3402004-0605	2	M5	4~6mm	6	34.5
3402004-1205	2	M5	4~6mm	12	52.5

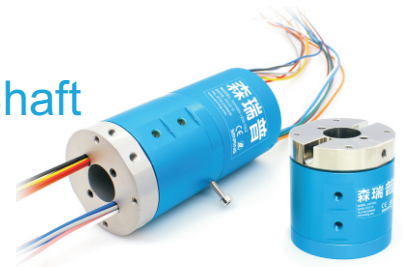
Technical Specification

Rotary Union Specification				
Passages	2 Passage(Gas/Flow)	Max. Pressure	1Mpa, Vacuum -90kPa	
Pipe size	4mm Pipe(M5)	torque	<0.2N.m	
Mechanical parameters		Electrical parameters		
Spec.	Data	Spec.	Data	
Working Life	20millions for ref (depends on working conditions)	Voltage Range	0~440VAC/VDC	0~440VAC/VDC
		Insulation Resistance	<500MΩ/300VDC	<500MΩ/300VDC
Max. Speed	250RPM continously, 1000RPM intermittently	Lead Wire Spec.	AWG17# Silver-plated teflon wire	AWG22# Silver-plated teflon wire
		Lead Wire Length	standard 250mm(can be customized)	
Working Temp.	-30°C~80°C	Insulation Resistance	500VAC@50Hz,6s	
Work Humidity	0~85% RH	Electrical Noise	<0.01Ω	
Contact Material	precious metal			
Housing Material	aluminum alloy			
IP Grade	IP51			

Color Code of Lead Wire

ring #	1	2	3	4	5	6	7	8	9	10	11	12
color	BLK	BRN	RED	ORG	YEL	GRN	BLU	PUR	GRY	WHT	PINK	LGT BLU

3404004 Series Two Passage Hollow Shaft Rotary Unions(with center hole 20mm)



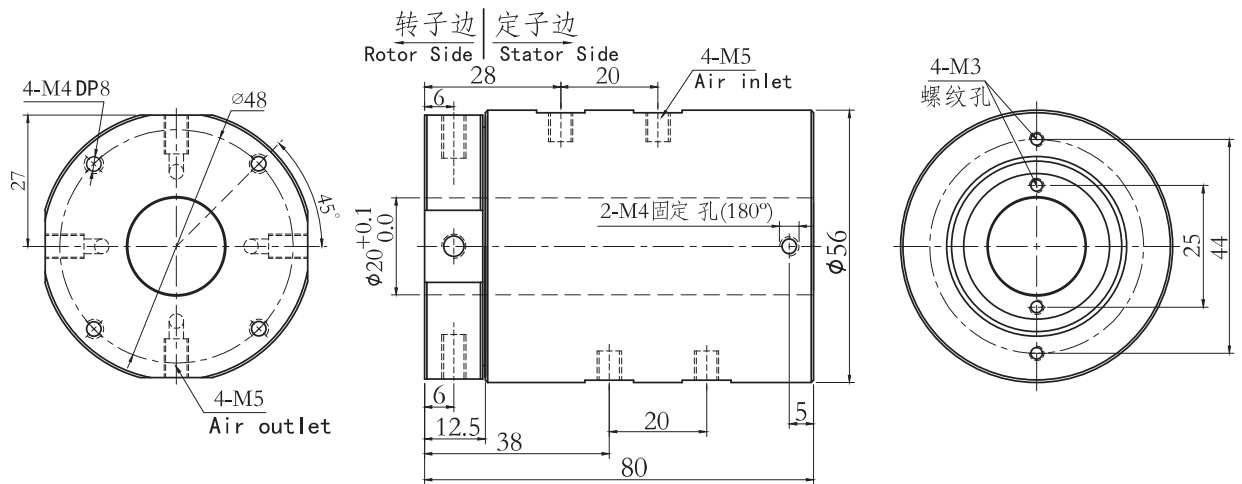
4 Passage(M5 port,4~6mm pipes)+Electrical(Power/Signal)

support M5 port for 6~8mm pipes,can transfer various mediums including compressed air,steam,vacuum,negative pressure,positive pressure,cooling water,hot oil,etc when 360° rotating , it also can combine to transmit electrical power and signal.

Part No. Description

Part No.	Description	For example:
3404004	4 Passage Rotary Unions M5 port ,4~6mm pipes with center hole 20mm	05:5A 10:10A 06:6 circuits 12:12 circuits

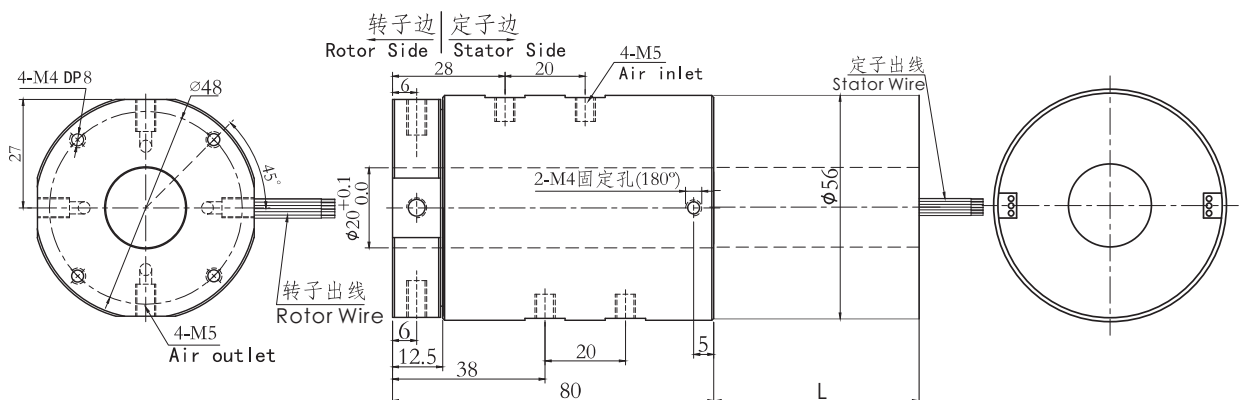
3404004 (Rotary Union Only) Drawing,4 Passage(4~6mm pipe,with center hole 20mm)



Standard Model List

Model	Passages(Gas/Flow)	Port Size	Pipe Size
3404004	4	M5	4~6mm

3404004-X3AX4S 4 Passage(4~6mm pipe,with center hole 20mm)+electrical power/signal(5A, 10A option)



Standard Model List

Model	Passages(Gas/Flow)	Port Size	Pipe Size	Signal Circuits(5A/10A)	Length L(mm)
3404004-0605	4	M5	4~6mm	6	34.5
3404004-1205	4	M5	4~6mm	12	57.5

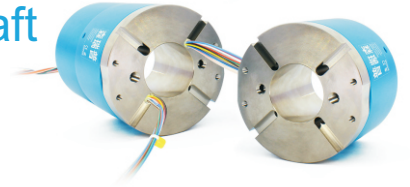
Technical Specification

Rotary Union Specification				
Passages	4 Passage(Gas/Flow)	Max. Pressure	1Mpa, Vacuum -90kPa	
Pipe size	4mm Pipe(M5)	torque	<0.4N.m	
Mechanical parameters		Electrical parameters		
Spec.	Data	Spec.	Data	
Working Life	20millions for ref (depends on working conditions)	Voltage Range	0~440VAC/VDC	0~440VAC/VDC
		Insulation Resistance	<500MΩ/300VDC	<500MΩ/300VDC
Max. Speed	250RPM continously, 1000RPM intermittently	Lead Wire Spec.	AWG17# Silver-plated teflon wire	AWG22# Silver-plated teflon wire
		Lead Wire Length	standard 250mm(can be customized)	
Working Temp.	-30°C~80°C	Insulation Resistance	500VAC@50Hz,6s	
Work Humidity	0~85% RH	Electrical Noise	<0.01Ω	
Contact Material	precious metal			
Housing Material	aluminum alloy			
IP Grade	IP51			

Color Code of Lead Wire

ring #	1	2	3	4	5	6	7	8	9	10	11	12
color	BLK	BRN	RED	ORG	YEL	GRN	BLU	PUR	GRY	WHT	PINK	LGT BLU

3502006 Series Two Passage Hollow Shaft Rotary Unions(with center hole 50mm)



2 Passage(G1/8" port,6~8mm pipes)+Electrical(Power/Signal)

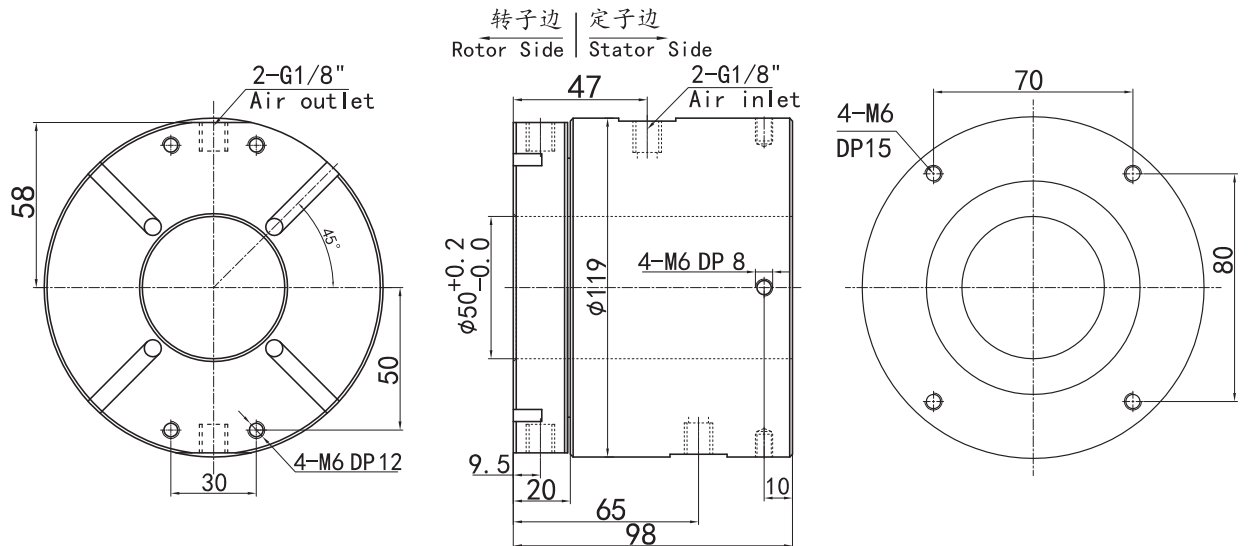
support G1/8" port for 6~8mm pipes,can transfer various mediums including compressed air,steam,vacuum,negative pressure,positive pressure,cooling water,hot oil,etc when 360° rotating , it also can combine to transmit electrical power and signal.

Part No. Description

3502006 - Power Circuits - Signal Circuits

2 Passage Rotary Unions G1/8" port ,6~8mm pipes with center hole 50mm			For example: 05:5A 10:10A
			For example: 06:6 circuits 12:12 circuits

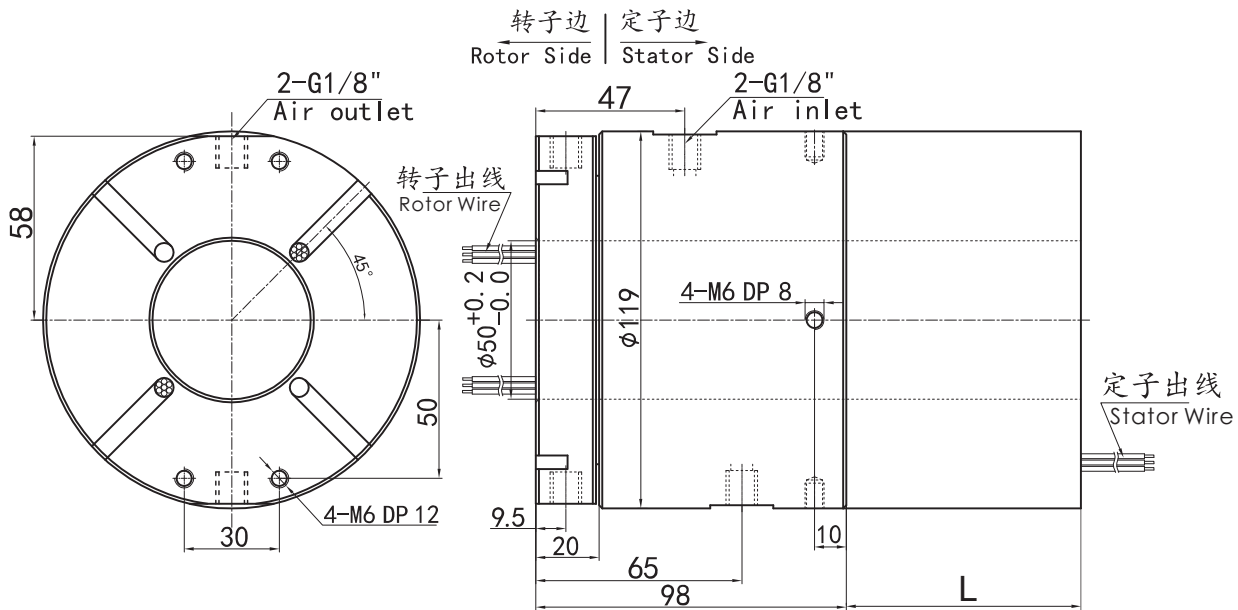
3502006 (Rotary Union Only) Drawing,2 Passage(6~8mm pipe,with center hole 50mm)



Standard Model List

Model	Passages(Gas/Flow)	Port Size	Pipe Size
3502006	2	G1/8"	6~8mm

3502006-X3AX45 2 Passage(6~8mm pipe,with center hole 50mm)+electrical power/signal(5A, 10A option)



Standard Model List

Model	Passages(Gas/Flow)	Port Size	Pipe Size	Power(10A)	Signal(0~5A)	Length L(mm)
3502006-1205	2	G1/8"	6~8mm	0	12	74
3502006-1210	2	G1/8"	6~8mm	12	0	74
3502006-1805	2	G1/8"	6~8mm	0	18	100
3502006-1810	2	G1/8"	6~8mm	18	0	100
3502006-2405	2	G1/8"	6~8mm	0	24	124
3502006-2410	2	G1/8"	6~8mm	24	0	124

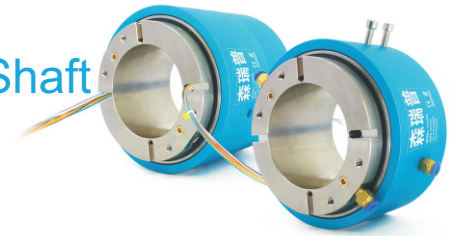
Technical Specification

Rotary Union Specification			
Passages	2 Passage(Gas/Flow)	Max. Pressure	1Mpa, Vacuum -90kPa
Pipe size	6mm Pipe(G1/8")	torque	<0.2N.m
Mechanical parameters		Electrical parameters	
Spec.	Data	Spec.	Data
Working Life	20millions for ref (depends on working conditions)	Voltage Range	0~440VAC/VDC
		Insulation Resistance	<500MΩ/300VDC
Max. Speed	250RPM continously, 1000RPM intermittently	Lead Wire Spec.	AWG17# Silver-plated teflon wire
		Lead Wire Length	standard 250mm(can be customized)
Working Temp.	-30°C~80°C	Insulation Resistance	500VAC@50Hz,6s
Work Humidity	0~85% RH	Electrical Noise	<0.01Ω
Contact Material	precious metal		
Housing Material	aluminum alloy		
IP Grade	IP51		

Color Code of Lead Wire

ring #	1	2	3	4	5	6	7	8	9	10	11	12
color	BLK	BRN	RED	ORG	YEL	GRN	BLU	PUR	GRY	WHT	PINK	LGT BLU

31002006 Series Four Passage Hollow Shaft Rotary Unions(with center hole 100mm)



4 Passage(G1/8" port,6~8mm pipes)+Electrical(Power/Signal)

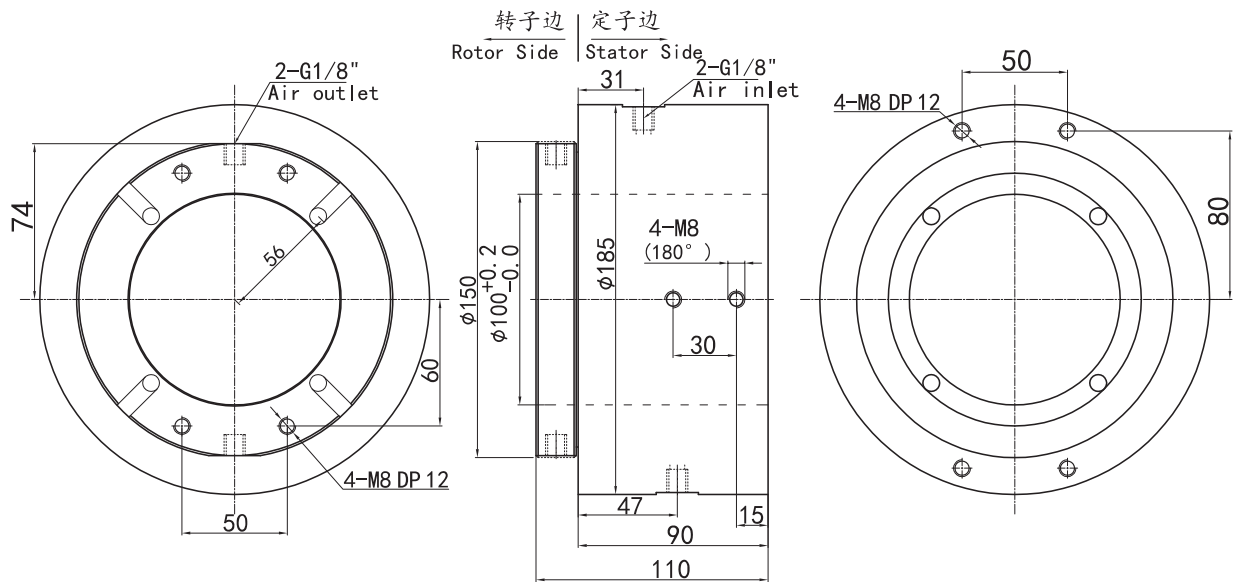
support G1/8" port for 6~8mm pipes,can transfer various mediums including compressed air,steam,vacuum,negative pressure,positive pressure,cooling water,hot oil,etc when 360° rotating , it also can combine to transmit electrical power and signal.

Part No. Description

31002006 - Power Circuits - Signal Circuits

4 Passage Rotary Unions G1/8" port ,6~8mm pipes with center hole 100mm			For example: 05:5A 10:10A
			For example: 06:6 circuits 12:12 circuits

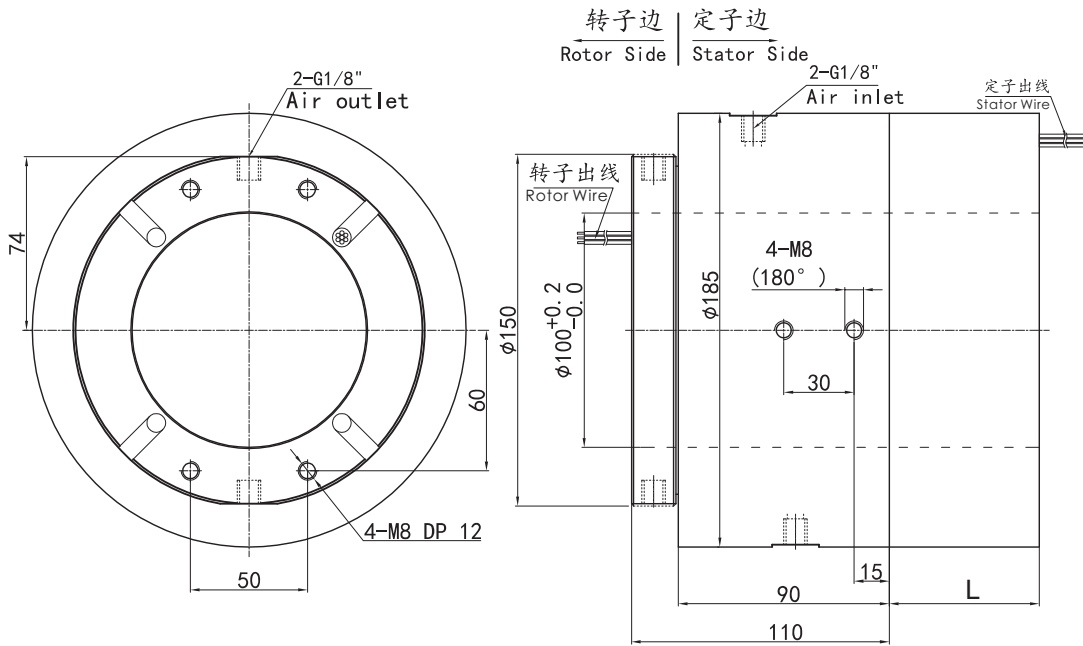
31002006 (Rotary Union Only) Drawing,4 Passage(6~8mm pipe,with center hole 100mm)



Standard Model List

Model	Passages(Gas/Flow)	Port Size	Pipe Size
31002006	4	G1/8"	6~8mm

31002006-X3AX4S 4 Passage(6~8mm pipe,with center hole 100mm)+electrical power/signal(5A, 10A option)



Standard Model List

Model	Passages(Gas/Flow)	Port Size	Pipe Size	Power(10A)	Signal(0~5A)	Length L(mm)
31002006-0605	4	G 1/8 "	6~8mm	0	6	64
31002006-0610	4	G 1/8 "	6~8mm	6	0	64
31002006-1205	4	G 1/8 "	6~8mm	0	12	88
31002006-1210	4	G 1/8 "	6~8mm	12	0	88
31002006-1805	4	G 1/8 "	6~8mm	0	18	112
31002006-1810	4	G 1/8 "	6~8mm	18	0	112
31002006-2405	4	G 1/8 "	6~8mm	0	24	136
31002006-2410	4	G 1/8 "	6~8mm	24	0	136

Technical Specification

Rotary Union Specification			
Passages	4 Passage(Gas/Flow)	Max. Pressure	1Mpa, Vacuum -90kPa
Pipe size	6mm Pipe(G 1/8 ")	torque	<0.2N.m
Mechanical parameters		Electrical parameters	
Spec.	Data	Spec.	Data
Working Life	20millions for ref (depends on working conditions)	Voltage Range	Power: 0~440VAC/VDC Signal: 0~440VAC/VDC
		Insulation Resistance	<500MΩ/300VDC
Max. Speed	250RPM continously, 1000RPM intermittently	Lead Wire Spec.	AWG17# Silver-plated teflon wire AWG22# Silver-plated teflon wire
Working Temp.	-30°C~80°C	Lead Wire Length	standard 250mm(can be customized)
Work Humidity	0~85% RH	Insulation Resistance	500VAC@50Hz,6s
Contact Material	precious metal	Electrical Noise	<0.01 Ω
Housing Material	aluminum alloy		
IP Grade	IP51		

Color Code of Lead Wire

ring #	1	2	3	4	5	6	7	8	9	10	11	12
color	BLK	BRN	RED	ORG	YEL	GRN	BLU	PUR	GRY	WHT	PINK	LGT BLU