

2 series High Current slip ring

SenRing Electroplating/Electrolysis Equipment Dedicated High current slip ring, include 50A、100A、250A、500A、1500A、3000A and other specifications, different current specifications are applicable to a variety of different sizes and power plating equipment, with easy installation, light weight and large load flow. Suitable for plating (gold plating, silver plating, copper plating, nickel plating, palladium plating, tin-lead plating), electrolysis, welding and other industries.



Features

- 50A, 100A, 250A, 500A, 1500A and 3000A and other current specifications available;
- Various sizes with internal or external thread installation;
- Stainless steel housing for better protection left and right side;
- Has the advantages of small contact resistance, low heat and long - term stable operation;
- Integrated structure design, easy installation.

Model List

Model	channels no.	Max current	Max voltage(DC/AC)
20180150	1	50A	690V
203101100	1	100A	690V
203101250	1	250A	690V
203501500	1	500A	690V
2050011500	1	1500A	690V
2071013000	1	3000A	690V
20300250	2	50A	690V
208602100	2	100A	690V
20860450	4	50A	690V
209904100	4	100A	690V
212004250	4	250A	690V
215804500	4	500A	690V

Photos of Some Products



3000A High Current slip ring



(flange installation)
High Current slip ring



through hole slip ring with multil channels of large current



hybrid solution for large current + rotary union (customized)



large current slip ring with terminals (customized)



large current + hydraulic rotary union (customized)

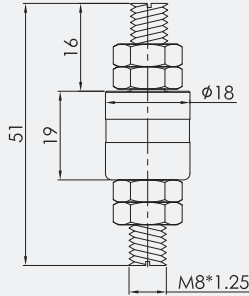
single channel high current slip ring

single channel, current ranges from 50~300A;

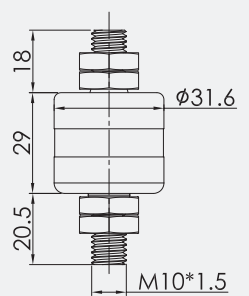
Senring single channel high current slip ring, current ranges: 50A、100A、250A、500A、1500A、3000A, compact size, fixed by screw terminal installation, developed specially for welding, electroplating and other industries, with convenient installation, light weight and large load current.



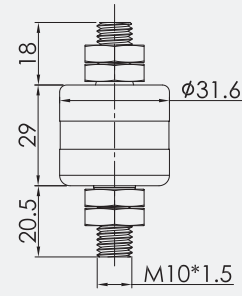
Model	20180150
Circuits	1 circuit
Max current	50A
Max speed	2000RPM
working temp.	-29°C~+60°C



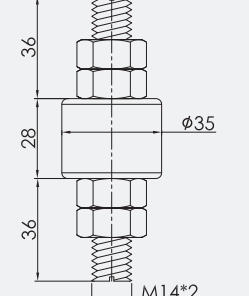
Model	203101100
Circuits	1 circuit
Max current	100A
Max speed	2000RPM
working temp.	-29°C~+60°C



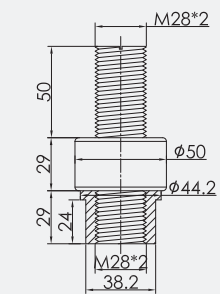
Model	203101250
Circuits	1 circuit
Max current	250A
Max speed	1200RPM
working temp.	-29°C~+60°C



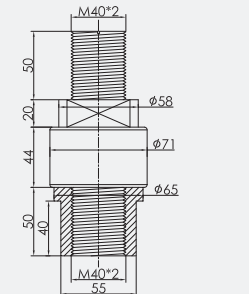
Model	203501500
Circuits	1 circuit
Max current	500A
Max speed	300RPM
working temp.	-29°C~+60°C



Model	2050011500
Circuits	1 circuit
Max current	1500A
Max speed	150RPM
working temp.	-29°C~+60°C

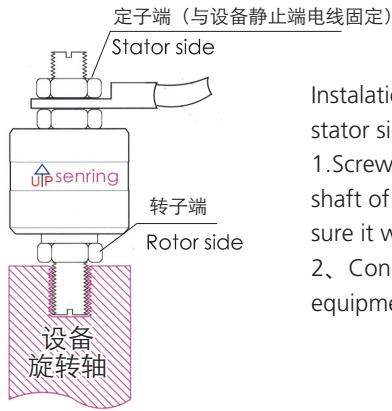


Model	2071013000
Circuits	1 circuit
Max current	3000A
Max speed	100RPM
working temp.	-29°C~+60°C



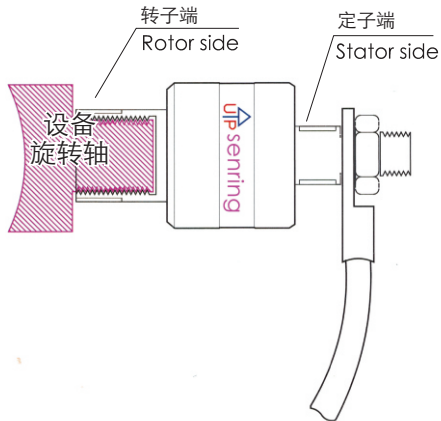
Installation

Senring single channel large current slip ring with many structures, below are the two most popular structures, installation guide as following:



Installation guide for slip ring with external thread on both rotor and stator side:

1. Screwing the rotor side into the inner thread hole of the rotating shaft of the equipment clockwise, fix the screw of the rotor side, make sure it well fixed with the rotating shaft of the equipment.
2. Connecting the stator side of the slip ring with the stator side of the equipment through the screw at the stator side of the slip ring.



Installation guide for slip ring with internal thread on rotor side and external thread on stator side :

- 1 screw slip ring rotor into the rotating shaft with external thread tightly
- 2 connect slip ring stator to equipment cable by fixing the screws of slip ring stator

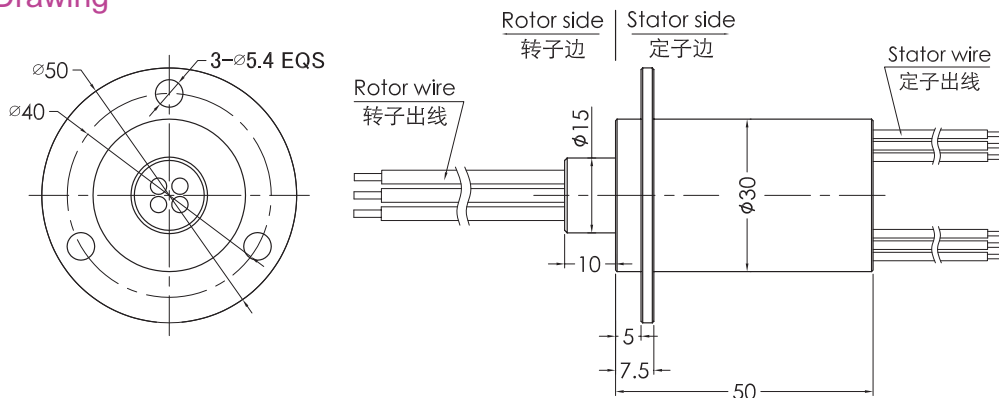
20300250 series High Current slip ring

2 channels,max power per channel:50A,Flange installation



SenRing 20300250 series High Current Power slip ring is a kind of Capsule High Current slip ring with flange installation,OD30mm,support 2 circuits 50A each,stator flange installation.

Drawing



Technical Specification of the slip ring

Circuits	Max current	voltage	Max speed	working temp.
2 circuits	50A	250V	250RPM	-40°C~+80°C

Customization Description

20300250 - power circuits - signal circuits

20300250 series High Current slip ring
2 circuits 50A each

Examples:
0610:6 circuits@10A
1210:12 circuits@10A

Examples:
06S:6 circuits signal@2A(5A options)
12S:12 circuits signal@2A(5A options)

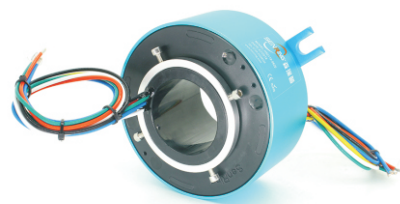
Examples

20300250: 2 circuits High Current slip ring,50A each,OD30mm;
20300250-0610-12S: Based on the customized specification of 20300250 series, 2 circuits 50A each, combined 6 circuits@10A + 12 circuits signal;

Color Code of Lead Wire

ring #	1	2	3	4	5	6	7	8	9	10	11	12
color	BLK	BRN	RED	ORG	YEL	GRN	BLU	PUR	GRY	WHT	PINK	LGT BLU

Remark: "1" : the first wire from rotor side , 20300250 wire color sequence:BLK/RED, 24 color wires as one group , if more than 24wires, repeat as sequence , use number tube to tell group 1#, 2#....

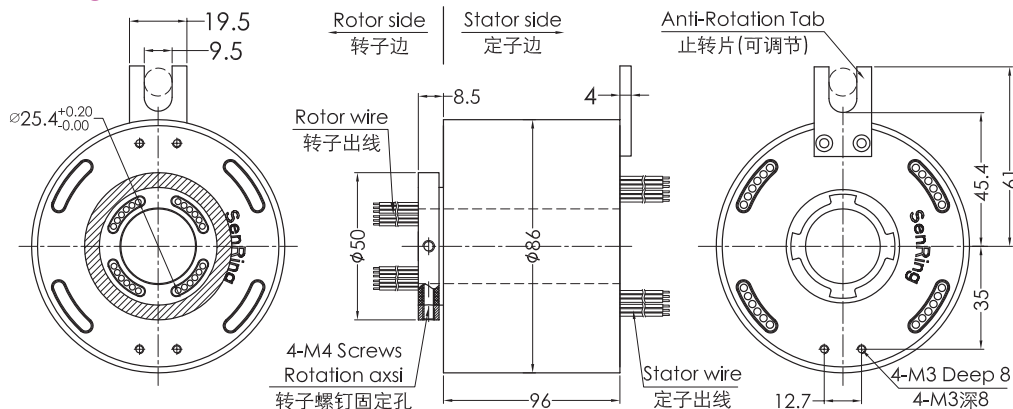


208602100 series High Current slip ring

2 channels,maximum current 100A per channel;

SenRing 208602100 series 360° rotation High Current slip ring hole size 25.4mm(Customization available,suitable for 0~25.4mm rotation axis),OD 86mm,support 2 circuits (100A each) high current.If you need to combine other circuit/signal channel no.customization available based on the standard model.Such as customized model of 208602100-1260-0410-04S,support 2 circuits 100A high current+2 circuits 30A current+4circuits 10A current+4 circuits 2A signal .

Drawing



Technical Specification of the slip ring

Circuits	Max current	voltage	Max speed	working temp.
2 circuits	100A	690V	250RPM	-40°C~+80°C

Customization Description

208602100 - power circuits - signal circuits

208602100 series High Current slip ring
2 circuits 100A each

Examples:

0610:6 circuits@10A
1210:12 circuits@10A

Examples:

06S:6 circuits signal@2A(5A options)
12S:12 circuits signal@2A(5A options)

Examples

208602100: 2 circuits high current slip ring;

208602100-0610-12S: Based on the customized specification of 208602100 series, 2 circuits 100A each, combined 6 circuits@10A + 12 circuits signal;

208602100-0230-0410-04S: Based on the customized specification of 208602100 series, 2 circuits 100A each, combined 2 circuits@30A +4 circuits 10A+4 circuits 2A signal;

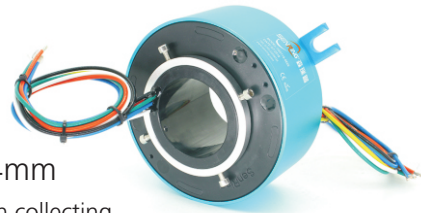
Color Code of Lead Wire

ring #	1	2	3	4	5	6	7	8	9	10	11	12
color	BLK	BRN	RED	ORG	YEL	GRN	BLU	PUR	GRY	WHT	PINK	LGT BLU
ring#	13	14	15	16	17	18	19	20	21	22	23	24
color	WHT/BLK	WHT/BRN	WHT/RED	WHT/ORG	WHT/YEL	WHT/GRN	WHT/BLU	WHT/PUR	WHT/GRY	BLK/RED	BLK/BRN	Transparent

Remark: "1" : the first wire from rotor side , 208602100 wire color sequence:BLK/BRN/RED/ORG/YEL /GRN , 24 color wires as one group , if more than 24wires, repeat as sequence , use number tube to tell group 1#, 2#....

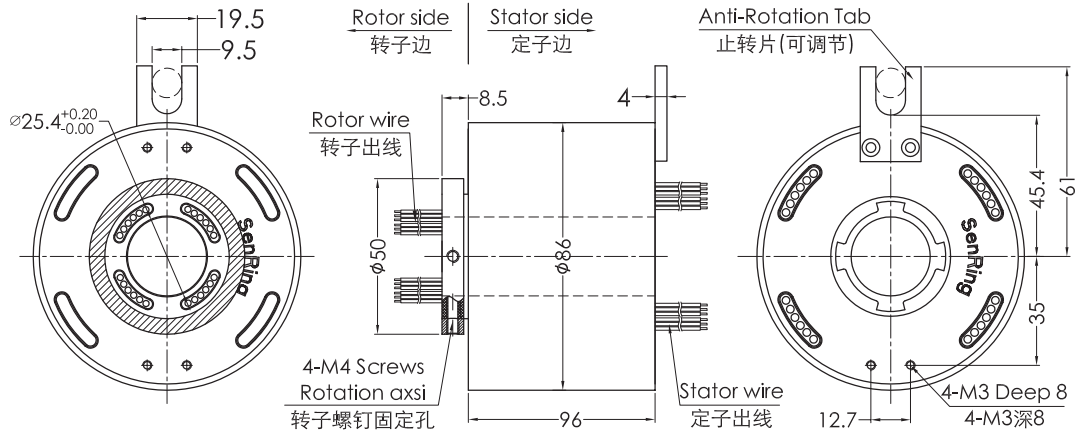
20860450 series High Current slip ring

4 channels,max current per channel:50A,hole size:25.4mm



SenRing 20860450 series 4 circuits 50A High Current collecting ring brush collecting ring,Through Hole High Current slip ring,hole size:25.4mm,OD:86mm,support 4 circuits (50A each)high current.

Drawing



Technical Specification of the slip ring

Model	Circuits	Max current	voltage	Max speed	working temp.
20860450	4 circuits	50A	690V	250RPM	-40°C~+80°C

Customization Description

20860450 - power circuits - signal circuits

20860450 series High Current slip ring
4 circuits 50A each

Examples:
0610:6 circuits@10A
1210:12 circuits@10A

Examples:
06S:6 circuits signal@2A(5A options)
12S:12 circuits signal@2A(5A options)

Examples

20860450: 4 circuits 50A each;
20860450-0610-12S: Based on the customized specification of 20860450 series, 4 circuits 50A each, combined 6 circuits@10A + 12 circuits signal;

Color Code of Lead Wire

ring #	1	2	3	4	5	6	7	8	9	10	11	12
color	BLK	BRN	RED	ORG	YEL	GRN	BLU	PUR	GRY	WHT	PINK	LGT BLU
ring#	13	14	15	16	17	18	19	20	21	22	23	24
color	WHT/BLK	WHT/BRN	WHT/RED	WHT/ORG	WHT/YEL	WHT/GRN	WHT/BLU	WHT/PUR	WHT/GRY	BLK/RED	BLK/BRN	Transparent

Remark: "1" : the first wire from rotor side , 20860450 wire color sequence:BLK/BRN/RED/ORG , 24 color wires as one group , if more than 24wires, repeat as sequence , use number tube to tell group 1#, 2#....

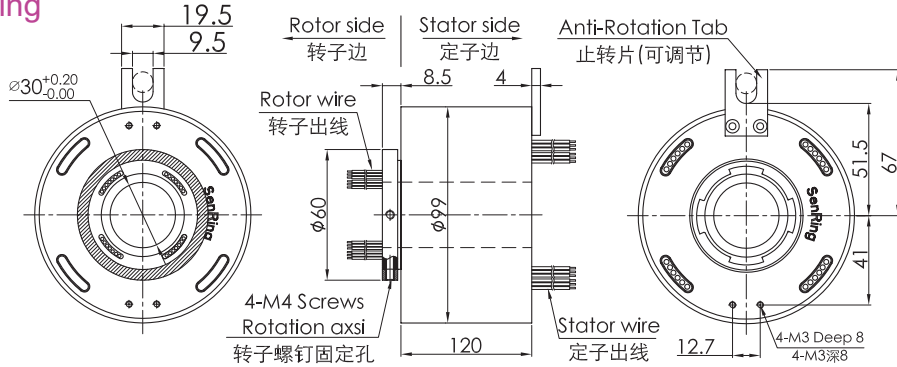


209904100 series Through Hole High Current slip ring

4 channels,maximum current 100A per channel

SenRing 209904100 series 360° rotation High Current Through Hole slip ring, hole size 30mm,OD 99mm,support 4 circuits (100A each) high current.If you need to combine other circuit/signal channel no. ,customization available based on the standard model.Such as 209904100-0820-10S,support 4 circuits 100A high current+8 circuits 20A current+10 circuits signal .

Drawing



Technical Specification of the slip ring

Model	Circuits	Max current	voltage	Max speed	working temp.
209904100	4 circuits	100A	690V	250RPM	-40℃~+80℃

Customization Description

209904100 - power circuits - signal circuits

209904100 series High Current slip ring
4 circuits 100A each

Examples:
0610:6 circuits@10A
1210:12 circuits@10A

Examples:
06S:6 circuits signal@2A(5A options)
12S:12 circuits signal@2A(5A options)

Examples

209904100: 4 circuits high current slip ring;

209904100-0610-12S: Based on the customized specification of 209904100 series, 4 circuits 100A each, combined 6 circuits@10A + 12 circuits signal;

Color Code of Lead Wire

ring #	1	2	3	4	5	6	7	8	9	10	11	12
color	BLK	BRN	RED	ORG	YEL	GRN	BLU	PUR	GRY	WHT	PINK	LGT BLU
ring#	13	14	15	16	17	18	19	20	21	22	23	24
color	WHT/BLK	WHT/BRN	WHT/RED	WHT/ORG	WHT/YEL	WHT/GRN	WHT/BLU	WHT/PUR	WHT/GRY	BLK/RED	BLK/BRN	Transparent

Remark: "1" : the first wire from rotor side , 209904100 wire color sequence:BLK/BRN/RED/ORG , 24 color wires as one group , if more than 24wires, repeat as sequence , use number tube to tell group 1#, 2#....

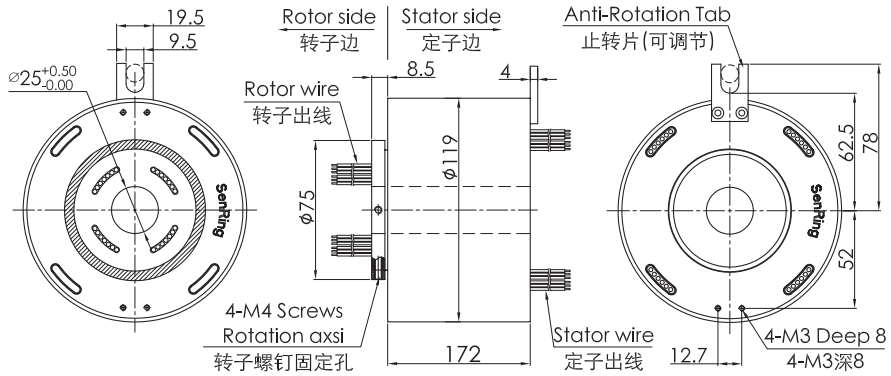
212004250 series High Current slip ring

4 channels, maximum current 250A per channel



SenRing 212004250 series High Current slip ring, hole size 25mm, OD 119mm, support 4 circuits (250A each) high current. If you need to combine other circuit/signal channel no., customization available based on the standard model.

Drawing



Technical Specification of the slip ring

Model	Circuits	Max current	voltage	Max speed	working temp.
212004250	4 circuits	250A	690V	250RPM	-40°C~+80°C

Customization Description

212004250 - power circuits - signal circuits

212004250 series High Current slip ring
4 circuits 250A each

Examples:

0610:6 circuits@10A
1210:12 circuits@10A

Examples:

06S:6 circuits signal@2A(5A options)
12S:12 circuits signal@2A(5A options)

Examples

212004250: 4 circuits high current slip ring, 250A each;

212004250-0610-12S: Based on the customized specification of 212004250 series, 4 circuits 250A each, combined 6 circuits@10A + 12 circuits signal;

Color Code of Lead Wire

ring #	1	2	3	4	5	6	7	8	9	10	11	12
color	BLK	BRN	RED	ORG	YEL	GRN	BLU	PUR	GRY	WHT	PINK	LGT BLU
ring#	13	14	15	16	17	18	19	20	21	22	23	24
color	WHT/BLK	WHT/BRN	WHT/RED	WHT/ORG	WHT/YEL	WHT/GRN	WHT/BLU	WHT/PUR	WHT/GRY	BLK/RED	BLK/BRN	Transparent

Remark: "1" : the first wire from rotor side, 212004250 wire color sequence: BLK/BRN/RED/ORG, 24 color wires as one group, if more than 24 wires, repeat as sequence, use number tube to tell group 1#, 2#....

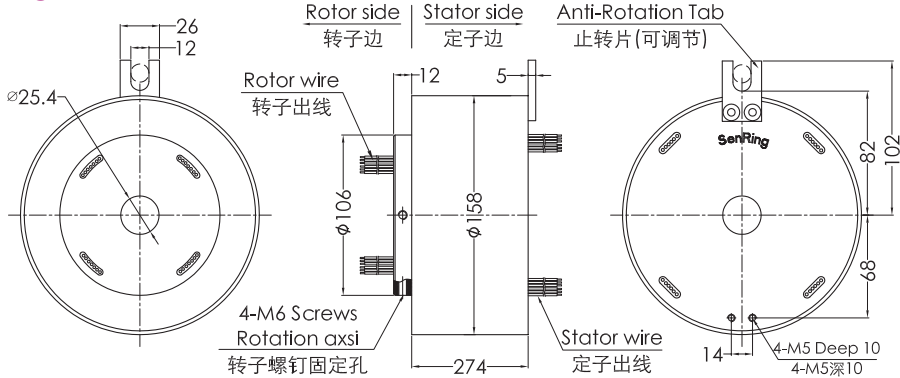


215804500 series 500A Through Hole High Current slip ring

4 circuits, maximum current 500A per channel

SenRing 215804500 series 360° rotation Through Hole High Current slip ring, hole size 25.4mm, OD 158mm, support 4 circuits (500A each) high current transmission. If you need to combine other circuit/signal channel no., customization available based on the standard model. Such as 4 circuits 500A+2 circuits 20A+1 circuit 1000A+12 circuits signal.

Drawing



Technical Specification of the slip ring

Model	Circuits	Max current	voltage	Max speed	working temp.
215804500	4 circuits	500A	690V	250RPM	-40°C~+80°C

Customization Description

215804500 series High Current slip ring 4 circuits 500A each	215804500 - power circuits	215804500 - signal circuits
Examples: 0610:6 circuits@10A 1210:12 circuits@10A		Examples: 06S:6 circuits signal@2A(5A options) 12S:12 circuits signal@2A(5A options)

Examples

215804500: 4 circuits high current slip ring, 500A each;
215804500-0610-12S: Based on the specification of 215804500 series High Current collecting ring, in addition to 4 circuits 500A each, also can combined 6 circuits@10A + 12 circuits signal;

Color Code of Lead Wire

ring #	1	2	3	4	5	6	7	8	9	10	11	12
color	BLK	BRN	RED	ORG	YEL	GRN	BLU	PUR	GRY	WHT	PINK	LGT BLU
ring#	13	14	15	16	17	18	19	20	21	22	23	24
color	WHT/BLK	WHT/BRN	WHT/RED	WHT/ORG	WHT/YEL	WHT/GRN	WHT/BLU	WHT/PUR	WHT/GRY	BLK/RED	BLK/BRN	Transparent

Remark: "1" : the first wire from rotor side , 215804500 wire color sequence:BLK/BRN/RED/ORG , 24 color wires as one group , if more than 24wires, repeat as sequence , use number tube to tell group 1#, 2#....