

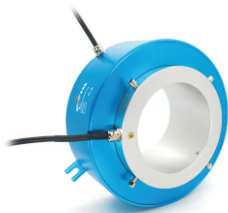
F Series Dustproof & Waterproof Slip Ring(IP65/IP68)

Features



- Senring's F028 and F038series Dustproof&waterproof Slip Rings, IP68,can work underwater 300M, mainly applied to ships and oil wells
- F075 series, mainly applied production equipments such as beer machine,liquid filling machine
- Static sealing with O-ring and dynamic sealing of rotation position with abrasion resistant &anti-corrosion Glyd ring for longer life
- Current from 2A to 50A for your different demands
- Standard product,stock available
- Anti-corrosion stainless steel housing for better protection
- Integrated structure, easy installation

Photos of Some Products



big size waterproof and ex-proof slip ring



waterproof slip ring (flange on rotor)



waterproof slip ring (flange on stator)



waterproof slip ring with Aviation plug



waterproof slip ring for deep sea



high speed waterproof slip ring (Industrial grade)



slip rings with double flanges on rotor and stator



waterproof slip ring for cranes



underwater Optic-electrical slip rings



custom waterproof slip ring



custom waterproof slip ring for deep sea (pressureproof)

Part No. Description

F	ID	OD	- power circuits	- signal circuits	- Product grade
F:Dustproof & Waterproof Slip Ring					C:standard D:industrial
Examples: 028:solid,OD:28mm 038:solid,OD:38mm 056:solid,OD:56mm 086:solid,OD:86mm H2586,hole size:25.4mm OD:86mm H50119:hole size:50mm OD:119mm				Examples: 06S:6 circuits signal@2A(5A options) 12S:12 circuits signal@2A(5A options)	Examples: 0610:6 circuits@10A 1210:12 circuits@10A

Examples

F028-06S: F028 series Dustproof & waterproof slip ring(solid, OD:28mm),06S means 6 circuits signal(2A each);

FH2586-0210-06S: FH2586 series Dustproof & waterproof slip ring(hole size 25.4mm, OD:86mm),0210 means 2 circuits current(10A each),06S means 6 circuits signal(2A each).

Model List

Model	IP grade	hole size (mm)	OD (mm)	Max Speed
F028	Ip68	solid	28mm	24 circuits
F038	IP68	solid	38mm	56 circuits
F056	standard IP65, IP68 optional	solid	56mm	48 circuits
F086	standard IP65, IP68 optional	solid	86mm	96 circuits
FH2586	standard IP65, IP68 optional	25.4mm	86mm	72 circuits
FH50119	standard IP65, IP68 optional	50mm	119mm	72 circuits

Color Code of Lead Wire

ring #	1	2	3	4	5	6	7	8	9	10	11	12
color	BLK	BRN	RED	ORG	YEL	GRN	BLU	PUR	GRY	WHT	PINK	LGT BLU
ring#	13	14	15	16	17	18	19	20	21	22	23	24
color	WHT/BLK	WHT/BRN	WHT/RED	WHT/ORG	WHT/YEL	WHT/GRN	WHT/BLU	WHT/PUR	WHT/GRY	BLK/RED	BLK/BRN	Transparent

Remark: "1" : the first wire from rotor side , F028-06S wire color sequence:BLK/BRN/RED/ORG/YEL/G-RN , 24 color wires as one group , if more than 24wires, repeat as sequence , use number tube to tell group 1#, 2#....

F028 series waterproof slip ring(OD:28mm,IP68)

IP grade: IP68,solid,OD:28mm

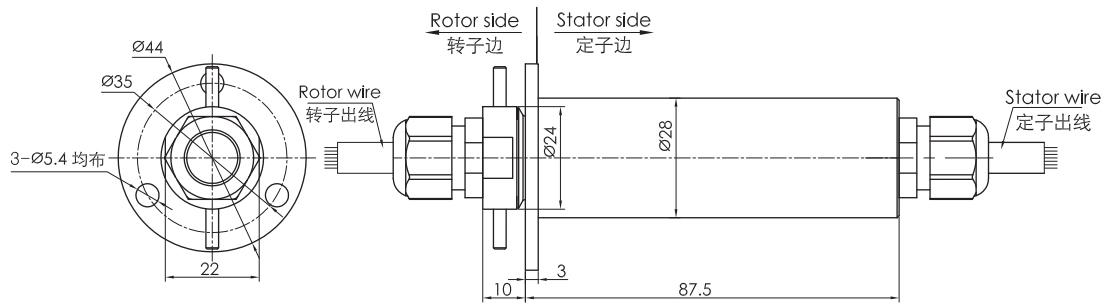
SenRing F028 series waterproof slip ring ,OD28mm,maximum IP:IP68,can conduct electricity and transfer various signals when 360° roating underwater 300M,anti-corrosion,acid and alkali resistance stainless steel housing make sure work stably in all kinds of bad environment, specially used for conducting or transmitting video and various control signals in special equipment such as ships, oil Wells and submersibles.

Part No. Description

F028 -	power circuits -	signal circuits -	Product grade
F028 series waterproof slip ring solid without hole,OD 28mm			C:standard D:industrial
Examples: 0610:6 circuits@10A 1210:12 circuits@10A			Examples: 06S:6 circuits signal@2A(5A options) 12S:12 circuits signal@2A(5A options)

Examples

F028-06S: F028 series Dustproof & waterproof slip ring(solid, OD:28mm),06S means 6 circuits signal(2A each);
F028-0210-06S: F028 series Dustproof & waterproof slip ring(solid, OD:28mm),0210 means 2 circuits current(10A each),06S means 6 circuits signal(2A each).



Model List

Model	Circuit/Signal no.				Length L(mm)
	2A	5A	10A	20A	
F028-0320	0	0	0	3	87.5
F028-0220	0	0	0	2	87.5
F028-06S	6	0	0	0	87.5
F028-12S	12	0	0	0	87.5
F028-18S	18	0	0	0	87.5
F028-24S	24	0	0	0	87.5
F028-0205-16S	16	2	0	0	87.5
F028-0210-12S	12	0	2	0	87.5
F028-0310-06S	6	0	3	0	87.5
F028-0410	0	0	4	0	87.5
F028-0805	0	8	0	0	87.5
F028-1205	0	12	0	0	87.5

Technical Specification of the slip ring

Mechanical Data		Electrical Data		
spec	data	spec	data	
Rotating speed	refer to slip ring grade table	voltage range	0~240VAC/VDC	0~240VAC/VDC
working temp.	-40℃~85℃	insulation resistance	≥500MΩ/500VDC	≥500MΩ/500VDC
IP grade	Ip68	lead wire spec.	AWG17#UL Teflon	AWG22#UL Teflon
contact material	refer to slip ring grade table	lead wire length	standard 300mm (can be customized)	
housing material	stainless steel	Dielectric Strength	500VAC@50Hz,60s	
torque	0.1N.m;+0.03N.m/6 circuits	Electrical noise	<0.01Ω	
certificate	RoHS certificate	CE certificate	Yes	

Grade code

Grade code	Max rotating speed	working life	contact material
C:standard	100RPM	10 millions	precious metal
D:industrial	200RPM	30 millions	gold-gold

Color Code of Lead Wire

ring #	1	2	3	4	5	6	7	8	9	10	11	12
color	BLK	BRN	RED	ORG	YEL	GRN	BLU	PUR	GRY	WHT	PINK	LGT BLU
ring#	13	14	15	16	17	18	19	20	21	22	23	24
color	WHT/BLK	WHT/BRN	WHT/RED	WHT/ORG	WHT/YEL	WHT/GRN	WHT/BLU	WHT/PUR	WHT/GRY	BLK/RED	BLK/BRN	Transparent

Remark: "1" : the first wire from rotor side , F028-06S wire color sequence:BLK/BRN/RED/ORG/YEL/G-
-RN , 24 color wires as one group , if more than 24wires, repeat as sequence , use number tube to tell
group 1#, 2#....

F038 series Dustproof&waterproof Slip Rings

IP grade: IP68,solid,OD:38mm

SenRing F038 series Waterproof slip ring ,OD38mm,maximum IP:IP68,can conduct electricity and transfer various signals when 360° roating underwater 300M,anti-corrosion,acid and alkali resistance stainless steel housing make sure work stably in all kinds of bad environment, specially used for conducting or transmitting video and various control signals in special equipment such as ships, oil Wells and submersibles.

Part No. Description

F038 - power circuits - signal circuits - Product grade

F038 series waterproof slip ring solid without hole,OD 38mm

C:standard
D:industrial

Examples:

0610:6 circuits@10A
1210:12 circuits@10A

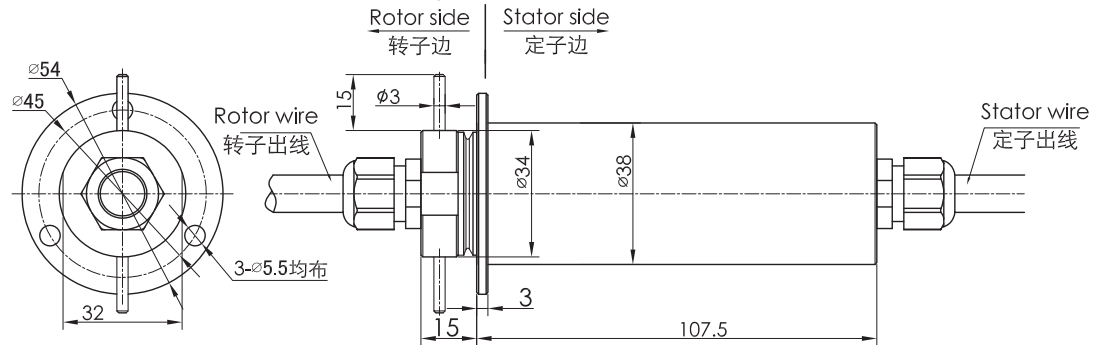
Examples:

06S:6 circuits signal@2A(5A options)
12S:12 circuits signal@2A(5A options)

Examples

F038-06S: F038 series Dustproof & waterproof slip ring(solid ,OD:38mm),06S means 6 circuits signal(2A each);

F038-0210-06S: F038 series Dustproof & waterproof slip ring(solid, OD:38mm),0210 means 2 circuits current(10A each),06S means 6 circuits signal(2A each).



Model List

Model	Circuit/Signal no.				Length L(mm)
	2A	5A	10A	20A	
F038-0410	0	0	4	0	107.5
F038-0605	0	6	0	0	107.5
F038-0220	0	0	0	2	107.5
F038-36S	36	0	0	0	107.5
F038-56S	56	0	0	0	107.5

Technical Specification of the slip ring

Mechanical Data		Electrical Data		
spec	data	spec	data	
Rotating speed	refer to slip ring grade table	voltage range	0~240VAC/DC	0~240VAC/DC
working temp.	-40℃~85℃	insulation resistance	≥500MΩ/500VDC	≥500MΩ/500VDC
IP grade	Ip68	lead wire spec.	AWG17#UL Teflon	AWG22#UL Teflon
contact material	refer to slip ring grade table	lead wire length	standard 300mm (can be customized)	
housing material	stainless steel	Dielectric Strength	500VAC@50Hz,60s	
torque	0.1N.m;+0.03N.m/6 circuits	Electrical noise	<0.01Ω	
certificate	RoHS certificate	CE certificate	Yes	

Grade code

Grade code	Max rotating speed	working life	contact material
C:standard	100RPM	10 millions	precious metal
D:industrial	200RPM	30 millions	gold-gold

Color Code of Lead Wire

ring #	1	2	3	4	5	6	7	8	9	10	11	12
color	BLK	BRN	RED	ORG	YEL	GRN	BLU	PUR	GRY	WHT	PINK	LGT BLU

ring#	13	14	15	16	17	18	19	20	21	22	23	24
color	WHT/BLK	WHT/BRN	WHT/RED	WHT/ORG	WHT/YEL	WHT/GRN	WHT/BLU	WHT/PUR	WHT/GRY	BLK/RED	BLK/BRN	Transparent

Remark: "1" : the first wire from rotor side , F038-06S wire color sequence:BLK/BRN/RED/ORG/YEL/G-
-RN , 24 color wires as one group , if more than 24wires, repeat as sequence , use number tube to tell
group 1#, 2#....

F056 series Waterproof Slip Ring(OD 56mm,IP65)

IP grade: IP65,IP68 optional,solid,OD:56mm



SenRing F056 series Dustproof&waterproof Slip Rings also called Dustproof&waterproof Lead Electric Appliance,with IP65 which lower than F028 and F038,applied to devices no need to immerse slip-ring in water,such as Packaging machine, Beer machine and other equipment which need use Waterproof Slip Ring.If you need to put slip ring working underwater,pls contact the SenRing technician to upgrade the IP.

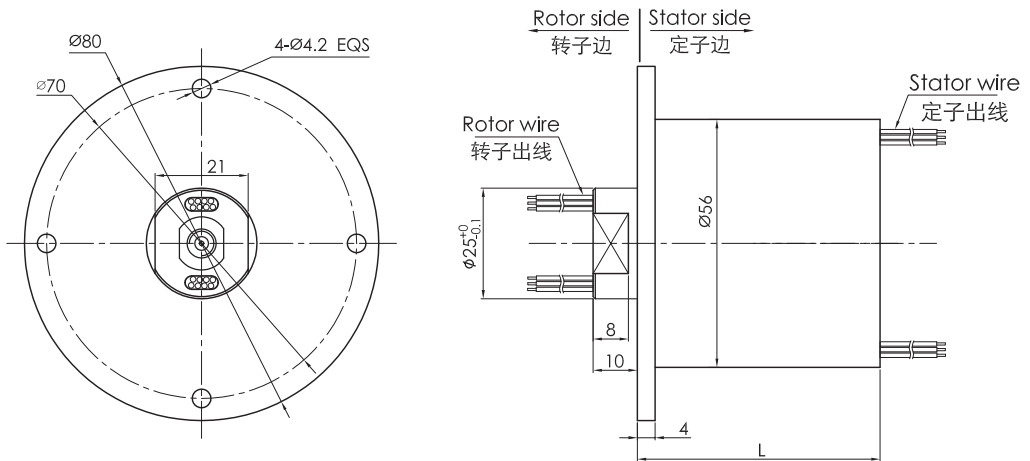
Part No. Description

F056 - power circuits - signal circuits - Product grade	
F056 series waterproof slip ring solid without hole,OD 56mm Examples: 0610:6 circuits@10A 1210:12 circuits@10A	C:standard D:industrial Examples: 06S:6 circuits signal@2A(5A options) 12S:12 circuits signal@2A(5A options)

Examples

F056-06S: F056 series Dustproof & waterproof slip ring(solid ,OD:56mm),06S means 6 circuits signal(2A each);

F056-0210-06S: F056 series Dustproof & waterproof slip ring(solid, OD:56mm),0210 means 2 circuits current(10A each),06S means 6 circuits signal(2A each).



Model List

Model	Circuit/Signal no.		Length L(mm)
	signal/5A	10A	
F056-0210	0	2	57
F056-02S	2	0	57
F056-0310	0	3	60
F056-03S	3	0	60
F056-0410	0	4	62.5
F056-04S	4	0	62.5
F056-0210-02S	2	2	62.5
F056-0610	0	6	68
F056-06S	6	0	68

Model	Circuit/Signal no.		Length L(mm)
	signal/5A	10A	
F056-0210-04S	4	2	68
F056-0810	0	8	73.5
F056-08S	8	0	73.5
F056-0410-4S	4	4	73.5
F056-1010	0	10	79.5
F056-0610-4S	4	6	79.5
F056-1210	0	12	85
F056-12S	12	0	85
F056-0610-6S	6	6	85
F056-1810	0	18	101.5
F056-18S	18	0	101.5
F056-0610-12S	12	6	101.5
F056-1010-08S	8	10	101.5
F056-2410	0	24	118.5
F056-0610-18S	18	6	118.5
F056-1210-12S	12	12	118.5

Technical Specification of the slip ring

Mechanical Data		Electrical Data		
spec	data	spec	data	
Rotating speed	refer to slip ring grade table	voltage range	0~240VAC/VDC	0~240VAC/VDC
working temp.	-40℃~85℃	insulation resistance	≥ 1000MΩ/500VDC	≥ 1000MΩ/500VDC
IP grade	IP65, optional IP68	lead wire spec.	AWG17#UL Teflon	AWG22#UL Teflon
contact material	refer to slip ring grade table	lead wire length	standard 300mm (can be customized)	
housing material	aluminum alloy/stainless steel	Dielectric Strength	800VAC@50Hz,60s	
torque	0.1N.m;+0.03N.m/6 circuits	Electrical noise	<0.01Ω	
certificate	RoHS certificate	CE certificate	Yes	

Grade code

Grade code	Max rotating speed	working life	contact material
C:standard	100RPM	10 millions	precious metal
D:industrial	200RPM	30 millions	gold-gold

Color Code of Lead Wire

ring #	1	2	3	4	5	6	7	8	9	10	11	12
color	BLK	BRN	RED	ORG	YEL	GRN	BLU	PUR	GRY	WHT	PINK	LGT BLU
ring#	13	14	15	16	17	18	19	20	21	22	23	24
color	WHT/BLK	WHT/BRN	WHT/RED	WHT/ORG	WHT/YEL	WHT/GRN	WHT/BLU	WHT/PUR	WHT/GRY	BLK/RED	BLK/BRN	Transparent

Remark: "1" : the first wire from rotor side , F056-06S wire color sequence:BLK/BRN/RED/ORG/YEL/G-RN , 24 color wires as one group , if more than 24wires, repeat as sequence , use number tube to tell group 1#, 2#....

F086 series Waterproof Slip Ring(OD 86mm,IP65)

IP grade: IP65,IP68 optional,solid,OD:86mm



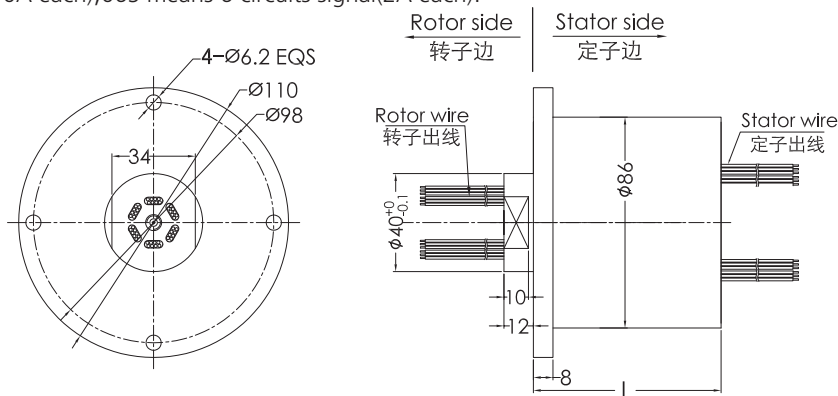
SenRing F086 series Dustproof&waterproof Slip Rings also called Dustproof&waterproof Lead Electric Appliance,with IP65 (lower than F028 and F038),applied to devices no need to immerse slip-ring in water,such as Packaging machine, Beer machine and other equipment which need use Waterproof Slip Ring.If you need to put slip ring working underwater,pls contact the SenRing technician to upgrade the IP.

Part No. Description

F086	- power circuits	- signal circuits	- Product grade
F086 series waterproof slip ring solid without hole,OD 86mm			C:standard D:industrial
Examples: 0610:6 circuits@10A 1210:12 circuits@10A		Examples: 06S:6 circuits signal@2A(5A options) 12S:12 circuits signal@2A(5A options)	

Examples

F086-06S: F086 series Dustproof & waterproof slip ring(solid ,OD:86mm),06S means 6 circuits signal(2A each);
F086-0210-06S: F086 series Dustproof & waterproof slip ring(solid, OD:86mm),0210 means 2 circuits current(10A each),06S means 6 circuits signal(2A each).



Model List

Model	Circuit/Signal no.		Length L(mm)
	signal/5A	10A	
F086-0210	0	2	62
F086-02S	2	0	62
F086-0310	0	3	66
F086-03S	3	0	66
F086-0410	0	4	70
F086-04S	4	0	70
F086-0210-02S	2	2	70
F086-0610	0	6	78
F086-06S	6	0	78
F086-0210-04S	4	2	78
F086-0410-02S	2	4	78
F086-1210	0	12	102

Model	Circuit/Signal no.		Length L(mm)
	signal/5A	10A	
F086-12S	12	0	102
F086-0610-06S	6	6	102
F086-1810	0	18	126
F086-18S	18	0	126
F086-0610-12S	12	6	126
F086-1210-06S	6	12	126
F086-2410	0	24	150
F086-24S	24	0	150
F086-1210-12S	12	12	150
F086-0610-18S	18	6	150
F086-3010	0	30	174
F086-30S	30	0	174
F086-1810-12S	12	18	174
F086-1210-18S	18	12	174
F086-0610-24S	24	6	174
F086-3610	0	36	198
F086-36S	36	0	198
F086-2410-12S	12	24	198
F086-1210-24S	24	12	198
F086-48S	48	0	246

Technical Specification of the slip ring

Mechanical Data		Electrical Data		
spec	data	spec	data	
Rotating speed	refer to slip ring grade table	voltage range	0~440VAC/VDC	0~440VAC/VDC
working temp.	-40℃~85℃	insulation resistance	≥1000MΩ/500VDC	≥1000MΩ/500VDC
IP grade	IP65, optional IP68	lead wire spec.	AWG17#UL Teflon	AWG22#UL Teflon
contact material	refer to slip ring grade table	lead wire length	standard 300mm (can be customized)	
housing material	aluminum alloy/stainless steel	Dielectric Strength	800VAC@50Hz,60s	
torque	0.1N.m;+0.03N.m/6 circuits	Electrical noise	<0.01Ω	
certificate	RoHS certificate	CE certificate	Yes	

Grade code

Grade code	Max rotating speed	working life	contact material
C:standard	100RPM	10 millions	precious metal
D:industrial	200RPM	30 millions	gold-gold

Color Code of Lead Wire

ring #	1	2	3	4	5	6	7	8	9	10	11	12
color	BLK	BRN	RED	ORG	YEL	GRN	BLU	PUR	GRY	WHT	PINK	LGT BLU
ring#	13	14	15	16	17	18	19	20	21	22	23	24
color	WHT/BLK	WHT/BRN	WHT/RED	WHT/ORG	WHT/YEL	WHT/GRN	WHT/BLU	WHT/PUR	WHT/GRY	BLK/RED	BLK/BRN	Transparent

Remark: "1" : the first wire from rotor side , F086-06S wire color sequence:BLK/BRN/RED/ORG/YEL/G
-RN , 24 color wires as one group , if more than 24wires, repeat as sequence , use number tube to tell group 1#, 2#....

FH2586 series Dustproof&waterproof Slip Ring



IP grade: IP65,IP68 optional,hole size 25.4mm,OD:86mm

FH2586 series Dustproof&waterproof Slip Ring Lead Electric Appliance,hole size 25.4mm,OD:86mm,IP grade up to IP68,specially designed for underwater working environment when 360° rotating

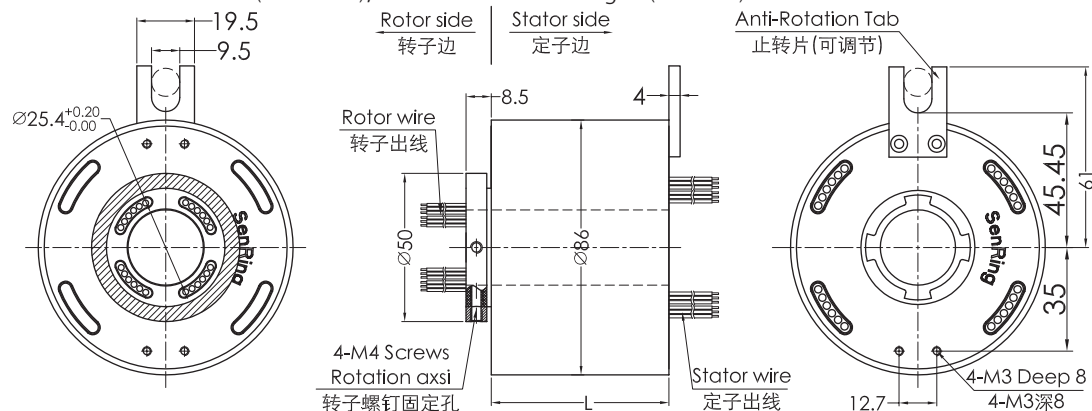
Part No. Description

FH2586 - power circuits - signal circuits - Product grade	
FH2586 series waterproof slip ring ID 25.4mm,OD 86mm Examples: 0610:6 circuits@10A 1210:12 circuits@10A	C:standard D:industrial Examples: 06S:6 circuits signal@2A(5A options) 12S:12 circuits signal@2A(5A options)

Examples

FH2586-06S: FH2586 series Dustproof & waterproof slip ring(hole size 25.4mm, ,OD:86mm),06S means 6 circuits signal(2A each);

FH2586-0210-06S: FH2586 series Dustproof & waterproof slip ring(hole size 25.4mm, OD:86mm),0210 means 2 circuits current(10A each),06S means 6 circuits signal(2A each).



Technical Specification of the slip ring

Model	Circuit/Signal no.		Length L(mm)
	signal/5A	10A	
FH2586-02S	2	0	56
FH2586-0210	0	2	56
FH2586-03S	3	0	60
FH2586-0310	0	3	60
FH2586-06S	6	0	72
FH2586-0210-04S	4	2	72
FH2586-0410-02S	2	4	72
FH2586-0610	0	6	72
FH2586-12S	12	0	96
FH2586-0210-10S	10	2	96
FH2586-0310-09S	9	3	96
FH2586-0610-06S	6	6	96
FH2586-0810-04S	4	8	96
FH2586-1010-02S	2	10	96
FH2586-1210	0	12	96
FH2586-18S	18	0	120
FH2586-0210-16S	16	2	120
FH2586-0410-14S	14	4	120
FH2586-0610-12S	12	6	120
FH2586-0810-10S	10	8	120
FH2586-1010-08S	8	10	120
FH2586-1210-06S	6	12	120
FH2586-1410-04S	4	14	120

Model	Circuit/Signal no.		Length L(mm)
	signal/5A	10A	
FH2586-1610-02S	2	16	120
FH2586-24S	24	0	144
FH2586-0410-20S	20	4	144
FH2586-0610-18S	18	6	144
FH2586-1210-12S	12	12	144
FH2586-1810-06S	6	18	144
FH2586-2410	0	24	144
FH2586-30S	30	0	168
FH2586-0610-24S	24	6	168
FH2586-1210-18S	18	12	168
FH2586-1810-12S	12	18	168
FH2586-2410-06S	6	24	168
FH2586-3010	0	30	168
FH2586-36S	36	0	192
FH2586-0610-30S	30	6	192
FH2586-1210-24S	24	12	192
FH2586-3610	0	36	192
FH2586-42S	42	0	216
FH2586-0610-36S	36	6	216
FH2586-1210-30S	30	12	216
FH2586-48S	48	0	240
FH2586-0610-42S	42	6	240
FH2586-1010-38S	38	10	240
FH2586-1210-36S	36	12	240
FH2586-1810-30S	30	18	240
FH2586-2410-24S	24	24	240
FH2586-60S	60	0	288
FH2586-0610-54S	54	6	288
FH2586-1010-50S	50	10	288
FH2586-1210-48S	48	12	288
FH2586-72S	72	0	336

Technical Specification of the slip ring

Mechanical Data		Electrical Data		
spec	data	spec	data	
Rotating speed	refer to slip ring grade table	voltage range	0~440VAC/VDC	0~440VAC/VDC
working temp.	-40℃~85℃	insulation resistance	≥ 1000MΩ /500VDC	≥ 1000MΩ /500VDC
IP grade	IP65, optional IP68	lead wire spec.	AWG17#UL Teflon	AWG22#UL Teflon
contact material	refer to slip ring grade table	lead wire length	standard 300mm (can be customized)	
housing material	aluminum alloy	Dielectric Strength	800VAC@50Hz, 60s	
torque	0.1N.m;+0.03N.m/6 circuits	Electrical noise	<0.01Ω	
certificate	RoHS certificate	CE certificate	Yes	

Grade code

Grade code	Max rotating speed	working life	contact material
C:standard	100RPM	10 millions	precious metal
D:industrial	200RPM	30 millions	gold-gold

Color Code of Lead Wire

ring #	1	2	3	4	5	6	7	8	9	10	11	12
color	BLK	BRN	RED	ORG	YEL	GRN	BLU	PUR	GRY	WHT	PINK	LGT BLU
ring#	13	14	15	16	17	18	19	20	21	22	23	24
color	WHT/BLK	WHT/BRN	WHT/RED	WHT/ORG	WHT/YEL	WHT/GRN	WHT/BLU	WHT/PUR	WHT/GRY	BLK/RED	BLK/BRN	Transparent

Remark: "1" : the first wire from rotor side , FH2586-06S wire color sequence:BLK/BRN/RED/ORG/YEL /GRN , 24 color wires as one group , if more than 24wires, repeat as sequence , use number tube to tell group 1#, 2#....

FH50119 series Dustproof&waterproof Slip Ring

IP grade: IP65,IP68 optional,hole size 50mm,OD:119mm

Part No. Description



FH50119 - power circuits - signal circuits - Product grade

FH50119 series
waterproof slip ring
ID 50mm,OD 119mm

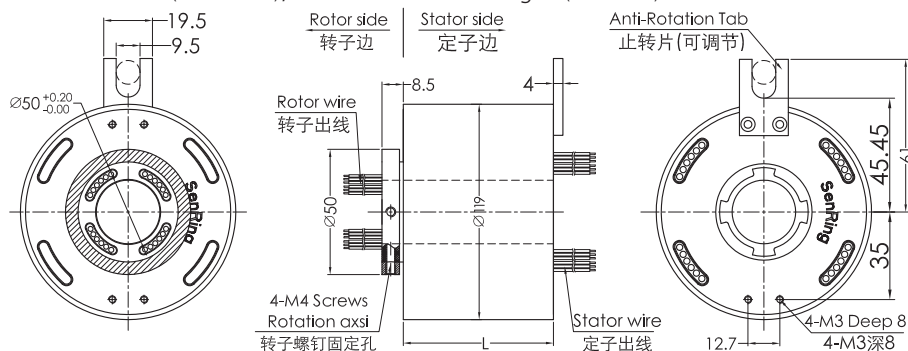
C:standard
D:industrial

Examples:
0610:6 circuits@10A
1210:12 circuits@10A

Examples:
06S:6 circuits signal@2A(5A options)
12S:12 circuits signal@2A(5A options)

Examples

FH50119-0210-06S: FH50119 series Dustproof & waterproof slip ring(hole size 50mm, OD:119mm),0210 means 2 circuits current(10A each),06S means 6 circuits signal(2A each).



Model List

Model	Circuit/Signal no.		Length L(mm)
	signal/5A	10A	
FH50119-02S	2	0	60
FH50119-0210	0	2	60
FH50119-03S	3	0	64
FH50119-0310	0	3	64
FH50119-06S	6	0	76
FH50119-0210-04S	4	2	76
FH50119-0410-02S	2	4	76
FH50119-0610	0	6	76
FH50119-12S	12	0	100
FH50119-0210-10S	10	2	100
FH50119-0310-09S	9	3	100
FH50119-0610-06S	6	6	100
FH50119-0810-04S	4	8	100
FH50119-1010-02S	2	10	100
FH50119-1210	0	12	100
FH50119-18S	18	0	124
FH50119-0210-16S	16	2	124
FH50119-0410-14S	14	4	124
FH50119-0610-12S	12	6	124
FH50119-0810-10S	10	8	124
FH50119-1010-08S	8	10	124
FH50119-1210-06S	6	12	124
FH50119-1410-04S	4	14	124
FH50119-1610-02S	2	16	124
FH50119-24S	24	0	148
FH50119-0410-20S	20	4	148
FH50119-0610-18S	18	6	148
FH50119-1210-12S	12	12	148
FH50119-1810-06S	6	18	148
FH50119-2410	0	24	148
FH50119-30S	30	0	172
FH50119-0610-24S	24	6	172
FH50119-1210-18S	18	12	172

Model	Circuit/Signal no.		Length L(mm)
	signal/5A	10A	
FH50119-1810-12S	12	18	172
FH50119-2410-06S	6	24	172
FH50119-3010	0	30	172
FH50119-36S	36	0	196
FH50119-0610-30S	30	6	196
FH50119-1210-24S	24	12	196
FH50119-3610	0	36	196
FH50119-42S	42	0	220
FH50119-0610-36S	36	6	220
FH50119-1210-30S	30	12	220
FH50119-4210	0	42	220
FH50119-48S	48	0	244
FH50119-0610-42S	42	6	244
FH50119-1210-36S	36	12	244
FH50119-1810-30S	30	18	244
FH50119-2410-24S	24	24	244
FH50119-4810	0	48	244
FH50119-60S	60	0	292
FH50119-0610-54S	54	6	292
FH50119-0910-51S	51	9	292
FH50119-1210-48S	48	12	292
FH50119-2410-36S	36	24	292
FH50119-72S	72	0	340
FH50119-1210-60S	60	12	340
FH50119-2410-48S	48	24	340
FH50119-3610-36S	36	36	340
FH50119-84S	84	0	388
FH50119-1210-72S	72	12	388
FH50119-2410-60S	60	24	388
FH50119-3610-48S	48	36	388
FH50119-96S	96	0	436
FH50119-1210-84S	84	12	436
FH50119-2410-72S	72	24	436
FH50119-3610-60S	60	36	436
FH50119-4210-54S	54	42	436
FH50119-108S	108	0	484
FH50119-1210-96S	96	12	484
FH50119-2410-84S	84	24	484
FH50119-3610-72S	72	36	484

Technical Specification of the slip ring

Mechanical Data		Electrical Data		
spec	data	spec	data	
Rotating speed	refer to slip ring grade table	voltage range	0~690VAC/VDC	0~440VAC/VDC
working temp.	-40℃~85℃	insulation resistance	≥ 1000MΩ/500VDC	≥ 1000MΩ/500VDC
IP grade	IP65, optional IP68	lead wire spec.	AWG17#UL Teflon	AWG22#UL Teflon
contact material	refer to slip ring grade table	lead wire length	standard 300mm (can be customized)	
housing material	aluminum alloy	Dielectric Strength	800VAC@50Hz,60s	
torque	0.1N.m;+0.03N.m/6 circuits	Electrical noise	<0.01Ω	

Grade code

Grade code	Max rotating speed	working life	contact material
C:standard	100RPM	10 millions	precious metal
D:industrial	200RPM	30 millions	gold-gold

Color Code of Lead Wire

ring #	1	2	3	4	5	6	7	8	9	10	11	12
color	BLK	BRN	RED	ORG	YEL	GRN	BLU	PUR	GRY	WHT	PINK	LGT BLU

ring#	13	14	15	16	17	18	19	20	21	22	23	24
color	WHT/BLK	WHT/BRN	WHT/RED	WHT/ORG	WHT/YEL	WHT/GRN	WHT/BLU	WHT/PUR	WHT/GRY	BLK/RED	BLK/BRN	Transparent

Remark: "1" : the first wire from rotor side , FH50119-06S wire color sequence:BLK/BRN/RED/ORG/YEL /GRN , 24 color wires as one group , if more than 24wires, repeat as sequence , use number tube to tell group 1#, 2#....