

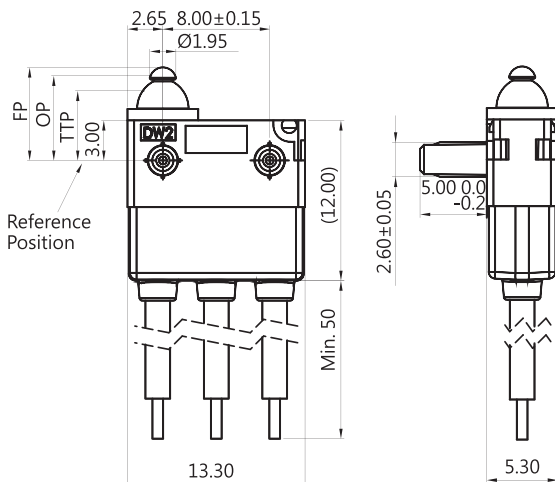
- ▶ **High quality micro switches for a wide range of applications**
- ▶ **Excellent performance, high reliability and long service life**
- ▶ **UL/cUL and ENEC certification**
- ▶ **Applications - Automotive (Seat Belt, Door Latch, Engine Hood, Door Trunk), Air Conditioner, Communication, Security System, Electric Tooth Brush, Toy**

Certification information

| | UL - cUL | ENEC |
|--------|--|---|
| DW2-03 | 0.1RA 3RA 12VDC μ T55 1E5 3RA 24VDC μ T55 5E4 0.1A 3RA 125/250VAC μ T55 1E4 | 0.1A 3A 12VDC μ T55 1E5 3A 24VDC μ T55 5E4 0.1A 3A 125/250VAC μ T55 1E4 |
| DW2-G3 | 0.1RA 3RA 12VDC μ T55 1E5 3RA 24VDC μ T55 5E4 0.1RA 3RA 125/250VAC μ T55 1E4 | 0.1A 3A 12VDC μ T55 1E5 3A 24VDC μ T55 5E4 0.1A 3A 125/250VAC μ T55 1E4 |

Dimensions

Unless otherwise specified, a tolerance of $\pm 0.4\text{mm}$ applies to all dimensions.





Ordering information

(Please use the characters in the chart below to create your product code)

Samplecode DW2 - 03 H - 01 A 0 A A - E A - 001A - Z

Rating Current

| | |
|----|----------------------------------|
| G2 | 10mA 12VDC (Contact Plated Gold) |
| 03 | 3A 12 VDC |

Operating Force

| | |
|---|----------|
| S | standard |
| H | heavy |

Actuator Type

| | |
|----|--|
| 00 | |
| 01 | |
| 04 | |

Circuit Arrangement

| | |
|---|------------|
| 0 | S.P.D.T. |
| 1 | S.P.S.T.NO |
| 2 | S.P.S.T.NC |

Pillar Type

| | |
|---|--|
| A | |
| B | |
| C | |
| D | |
| E | |
| F | |



Ordering information

(Please use the characters in the chart below to create your product code)

Samplecode DW2 - 03 H - 01 A 0 A A - E A - 001A - Z

Pillar Type - Dimensions

see table below


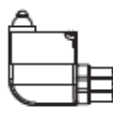
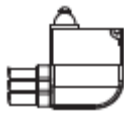
AWG Type

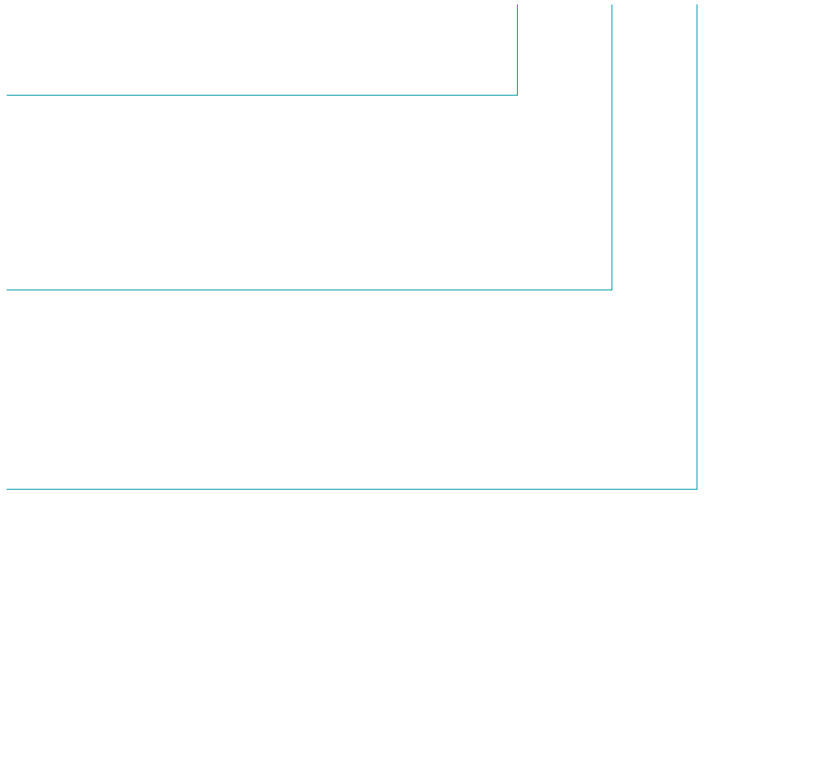
| | |
|---|----|
| E | 20 |
| F | 22 |
| G | 24 |
| H | 26 |

UL Number

| | |
|---|---------|
| A | UL 1007 |
| C | UL 1430 |
| D | UL 1061 |

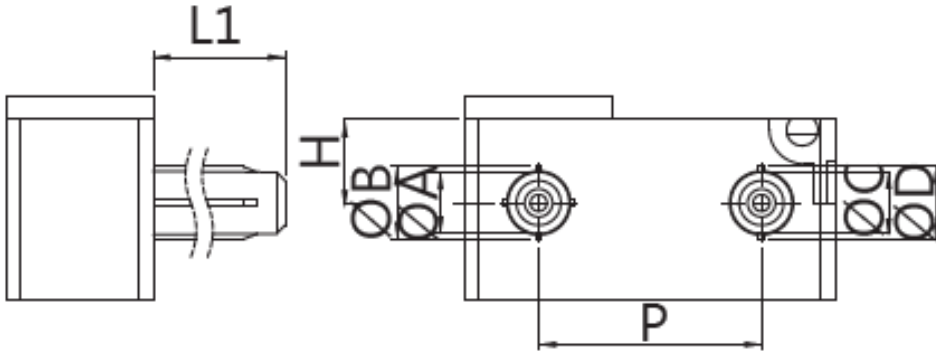
Serial Code

| | |
|---|---|
| O |  |
| R |  |
| L |  |



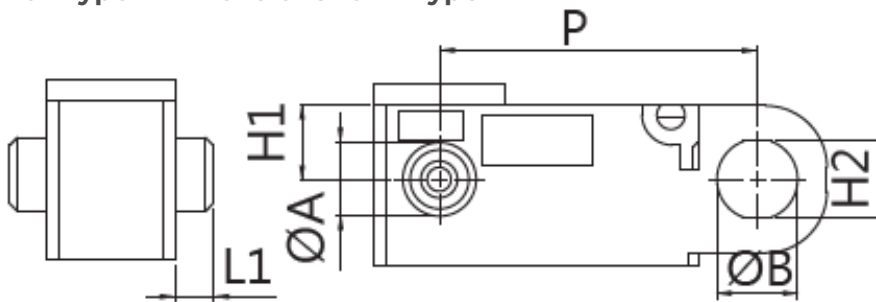
If you require a customized solution for your program contact our sales team.

Pillar Type - Dimensions for B, C, D Type



| Code | L1 | H | A | B | C | D | P |
|------|-----|-----|-----|-----|-----|-----|-----|
| | 5.0 | 3.0 | 2.2 | 2.6 | 2.2 | 2.6 | 8.0 |
| A | 2.0 | 3.0 | 2.2 | 2.6 | 2.2 | 2.6 | 8.0 |
| B | 4.0 | 3.0 | 2.2 | 2.6 | 2.2 | 2.6 | 8.0 |
| C | 0.7 | 3.0 | 2.5 | N/A | 2.5 | N/A | 8.0 |

Pillar Type - Dimensions for F Type



| Code | L1 | H1 | H2 | A | B | P |
|------|-----|-----|-----|-----|-----|-------|
| | 1.5 | 3.0 | 3.1 | 3.0 | 3.3 | 13.00 |