

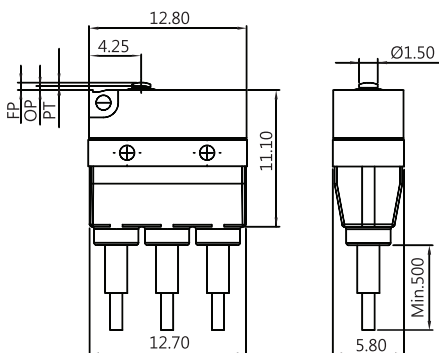
- ▶ **High quality micro switches for a wide range of applications**
- ▶ **Excellent performance, high reliability and long service life**
- ▶ **UL/cUL and ENEC certification**
- ▶ **Applications - automotive (operation system, engine area Interior), air conditioner, communication, electric tooth brush, toys**

Certification information

	UL - cUL	ENEC
DFW-P1	0.1RA 125/250VAC μ T85 1E4 3RA 24VDC μ T85 1E4	0.1A 125/250VAC μ T85 1E4 3A 24VDC μ T85 1E4
DFW-05	5RA 125/250VAC μ T85 1E4 3RA 24VDC μ T85 1E4	5A 125/250VAC μ T85 1E4 3A 24VDC μ T85 1E4

Dimensions

Unless otherwise specified, a tolerance of ± 0.4 mm applies to all dimensions.





Ordering information

(Please use the characters in the chart below to create your product code)

Sample code DFW - 05 S - B01 D Q A - E A 001 - Z

Rating Current

P1	0.1A 125/250VAC
05	5A 125/250VAC

Operating Force

S	standard
L	light

Actuator Type

A00	
A01	
A02	
B00	
B01	
B02	

Wire Type

D	
R	
L	



Sample code DFW - 05 S - B01 D 0 A - E A 001 - Z

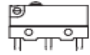
Circuit Arrangement


- 0 S.P.D.T

- 1 S.P.S.T No

- 2 S.P.S.T NC

Case & Cover Type

- A 

- E 

AWG Type

- E 20

- F 22

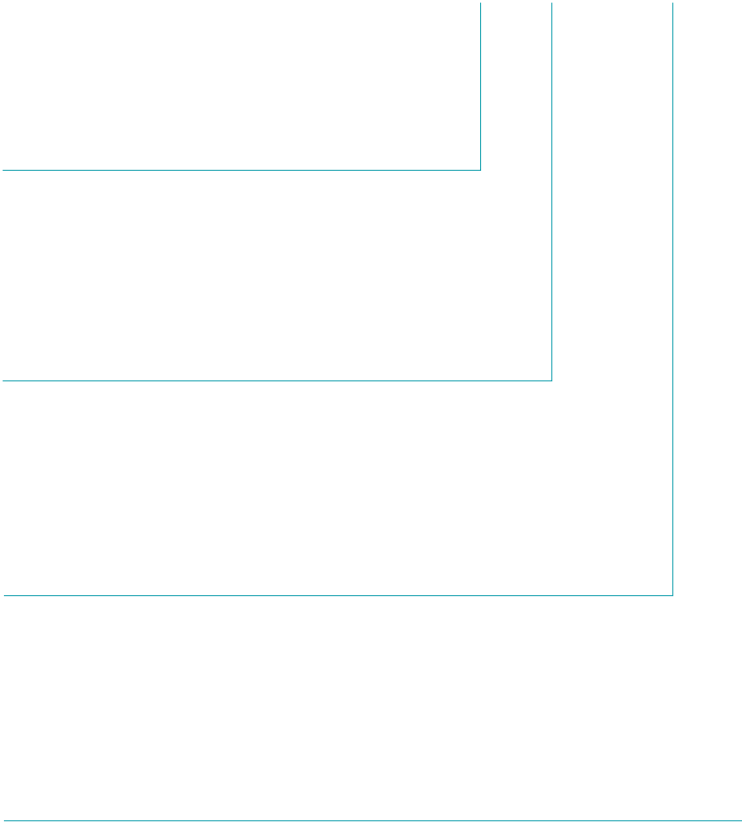
- G 24

UL Number

- 0 UL 1007

- 1 UL 1430

- 2 UL 1061



If you require a customized solution for your program contact our sales team.



Operating characteristics (internal snap-fit lever)

SWITCH TYPE	PART SUFFIX	OF Max. (gf)	OP (mm)	PT Max. (mm)	OT Min. (mm)	MD Max. (mm)	FP Max. (mm)	RF Min. (gf)	
DFW-□□□-A00□-Z		L	100	0.4 ± 0.2	0.5	0.2	0.12	0.9	21
		S	170						35
		L	100	5.9 ± 0.2	0.5	0.2	0.12	6.4	21
		S	170						35
DFW-□□□-A01□-Z		L	32	1.6 ± 0.8	3.4	0.6	0.8	3.5	5
		S	56						8
		L	32	7.1 ± 0.8	3.4	0.6	0.8	9.0	5
		S	56						8
DFW-□□□-A02□-Z		L	28	3.6 ± 0.8	3.5	0.7	0.92	7.6	5
		S	48						7
		L	28	9.1 ± 0.8	3.5	0.7	0.92	13.1	5
		S	48						7
DFW-□□□-A09□-Z		L	15	2.9 ± 1.7	6.9	0.55	1.9	10.2	2
		S	24						3
		L	15	8.4 ± 1.7	6.9	0.55	1.9	15.7	2
		S	24						3



Operating characteristics (external snap-fit lever)

SWITCH TYPE	PART SUFFIX	OF Max. (gf)		OP (mm)	PT Max. (mm)	OT Min. (mm)	MD Max. (mm)	FP Max. (mm)	RF Min. (gf)
		L	S						
DFW- □□□ -B00 □ -Z		L	100	0.4 ± 0.2	0.5	0.2	0.12	0.9	21
		S	170						35
		L	100	5.9 ± 0.2	0.5	0.2	0.12	6.4	21
		S	170						35
DFW- □□□ -B01 □ -Z		L	32	1.6 ± 0.8	3.4	0.6	0.8	3.5	5
		S	56						8
		L	32	7.1 ± 0.8	3.4	0.6	0.8	9.0	5
		S	56						8
DFW- □□□ -B02 □ -Z		L	28	3.6 ± 0.8	3.5	0.7	0.92	7.6	5
		S	48						7
		L	28	9.1 ± 0.8	3.5	0.7	0.92	13.1	5
		S	48						7
DFW- □□□ -B09 □ -Z		L	15	2.9 ± 1.7	6.9	0.55	1.9	10.2	2
		S	24						3
		L	15	8.4 ± 1.7	6.9	0.55	1.9	15.7	2
		S	24						3