



- ▶ LED indication of battery status
- ▶ Choice of 15 or 60 minutes timeout for further battery conservation
- ▶ Auto wake from sleep/re-connect on press of the pedal
- ▶ Secure PAN (Personal Area Network), with up to 2 transmitters
- ▶ Emulates keyboard or mouse function (preset during manufacturing process)
- ▶ Plug and play technology, no additional drivers required
- ▶ Works with Windows, Linux and Mac operating systems
- ▶ 10 cm of cable as standard
- ▶ Emulation of up to 3 simultaneous keystrokes
- ▶ Ultra low power
- ▶ Range: Nominally 10 m (up to 15 m line of sight, Latency may increase with range)
- ▶ Selectable Latency:
 - Setting 1. Typically <200 ms at 10 m
 - Setting 2. Typically <100 ms at 10 m

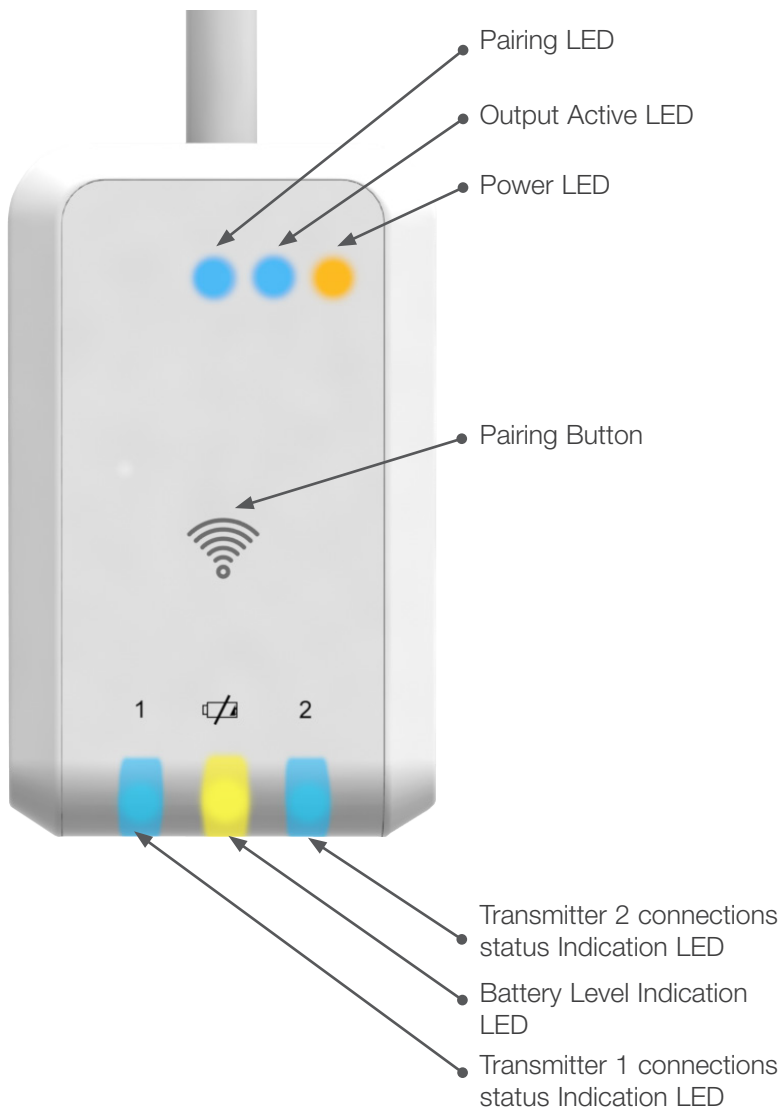
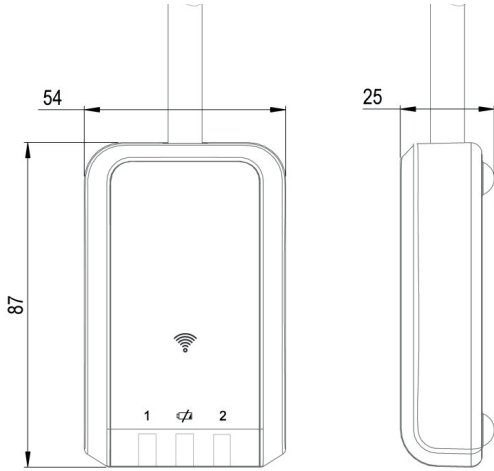
Specifications	
Supply rating	20mA 5V DC
Degree of protection	EN 60529 IP44
Connections	USB
Storage temperature	-20 to +65°C
Operating temperature	0 to +40°C
Body material	Thermoplastic
Standards/approvals	Low Voltage Directive 2014/35/EU, REACH, RoHS & WEEE
Radio type approvals	Europe (ETSI RED) US (FCC/CFR 47 part 15 unlicensed modular transmitter approval) Canada (IC RSS)
Certification and compliance	Radio Equipment Directive 2014/53/EU: <ul style="list-style-type: none"> • Effective use of frequency spectrum: EN 300 328 • EMC: EN 301 489-1, EN 301 489-17, EN 61000-6-2 • Health and safety: EN62479, EN 60950-1

The Bluetooth® word mark and logos are registered trademarks owned by Bluetooth SIG, Inc. and any use of such marks by Herga Technology is under license. Other trademarks and trade names are those of their respective owners.

6311 - BLE BLUETOOTH TO USB 2.0 HOUSED RECEIVER



Dimensions



Removing the rear panel gives the user access to switches for setting the latency of the system and sleep timeout of the connected transmitters