



- ▶ **Choice of 5k $\Omega$  or 10k $\Omega$  potentiometer**
- ▶ **Sturdy & durable industrial footswitch**
- ▶ **Unique functional design aesthetic**
- ▶ **Adaptable range of accessories**
- ▶ **Accommodates safety shoe use**
- ▶ **Waterproof to IP67 (EN 60529)**
- ▶ **Infinite multiplication of footswitches due to original modular design**

Specifications	
Microswitch Standards/approvals	EN 61058-1, CE, CSA, UL, ENEC
Degree of protection	EN 60529 IP67 (IP68 on request) when fitted with seal kit 6050-5500-0138 (or alternative sealed cable glands)
Connection method	Screw terminals, for cable and connection options, please speak with your Sales Representative
Operating temperature range	-20° C to +60° C (with UL certification)
Body material	Thermoplastic, Injection moulded ABS (High Impact), self extinguishing UL 94-V0
Cover material	Thermoplastic (ABS), self extinguishing UL 94-V0
Guard stability	Drop weight: 20 kg at 1m
Weight	Cover 0.96 kg Guard 1.26 kg
Life expectancy	Mechanical: 2 Mio cycles Electrical: 10 Mio cycles
Additional information	Other potentiometer resistance values from 1Kk $\Omega$ to 10k $\Omega$ can be applied in medium batch volumes, although these versions cannot be supplied with microswitch contacts
Switch specifications & Electrical data	
Resistance tolerance	+/- 20%
Linearity	+/- 1%
Recommended wiper current	<0.1 $\mu$ A
Power rating	0.5W/40°C
max. wiper fault current	10mA
max. potentiometer rating	5 k $\Omega$ : 50V 10 k $\Omega$ : 70V
Dielectric strength	1000 VAC
Resistance	Conductive plastic

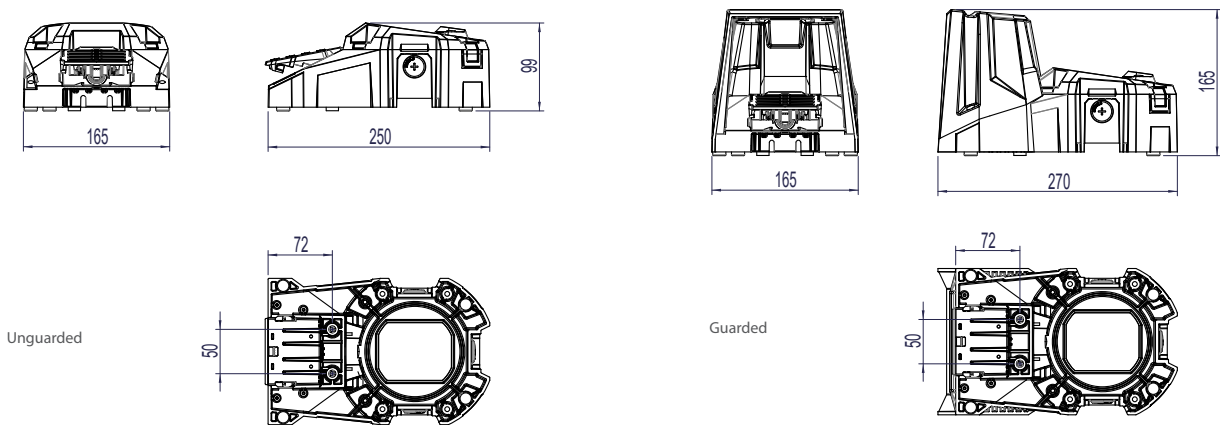
# 6256 HEAVY DUTY POTENTIOMETER FOOTSWITCH



## Switch specifications & Electrical data

Max. electr. load	Voltage (V)	Resistive (A)	Inductive (A)	Motor (Pf0.75)
AC	250	25	8	1HP
	125	25		
DC	6	25	25	
	12	15	15	
	24	8	7	
	60	1	0.5	
	110	0.5	0.2	
	220	0.25	0.1	

## Dimensions



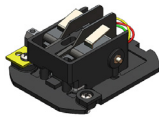
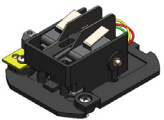
# 6256 HEAVY DUTY POTENTIOMETER FOOTSWITCH



## Contact configuration

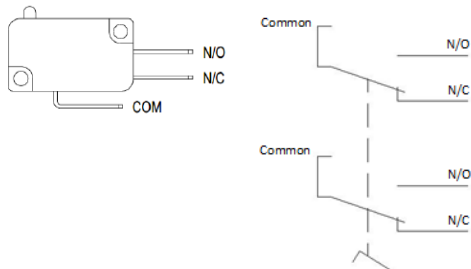
5K  $\Omega$   
6256-XCGX-ZZZZ

10K  $\Omega$   
6256-XDGX-ZZZZ



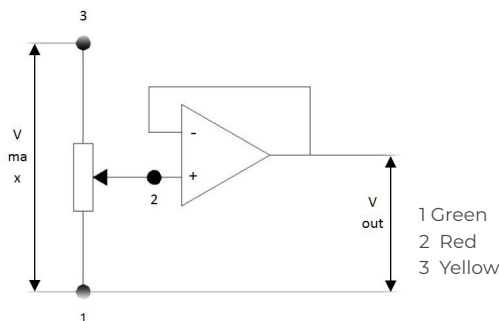
## Internal Switches

Using pre-insulated 6.3mm spade connectors.



Potentiometer@40°C	Resistance	Linearity	Wiper normal rating	Wiper max rating
6256-XCGX-ZZZZ	5K $\Omega$ $\pm$ 20%	$\pm$ 1.0%	0.5W 0.1 $\mu$ A	50VDC 10mA
6256-XDGX-ZZZZ	10K $\Omega$ $\pm$ 20%	$\pm$ 1.0%	0.5W 0.1 $\mu$ A	70VDC 10mA

## Recommended Schematic



Dry Switching: If switching low power circuits i.e. low current (4 to 100 mA) and low voltage (below 30V), consult herga for further advice.

In all applications except where protective extra low voltage (PELV) circuits are being switched, an earth conductor must be installed. The earth conductor should be rated in accordance with the prevailing standards.

# 6256 HEAVY DUTY POTENTIOMETER FOOTSWITCH



## Ordering information

(Please use the characters in the chart below to create your product code)

**Sample Code**      6256   -   A   C   G   Z   -   Z   Z   Z   Z

### Footswitch safety

- A    Unguarded (UL)
- B    Guarded (UL)

### Electrical

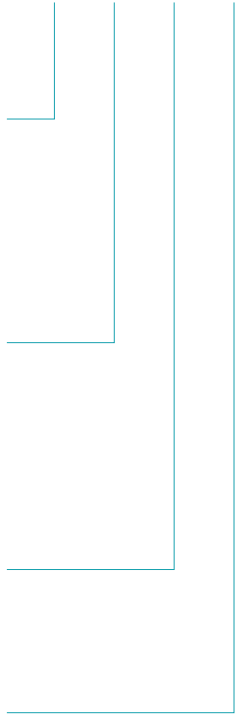
- C    5k Ohm potentiometer + snap action microswitches (must use switching option "G")
- D    10k Ohm potentiometer + snap action microswitches (must use switching option "G")

### Switching operation

- G    Potentiometer - Double pole change over contacts (must use "Electrical option C/D")

### Cable options

- Z    No cable (\*cable kits under accessories (UL))



If you require a customized solution for your program contact our sales team.

# 6256 HEAVY DUTY POTENTIOMETER FOOTSWITCH



## Ordering information

(Please use the characters in the chart below to create your product code)

**Sample Code**      6256   -   A   C   G   Z   -   Z   Z   Z   Z

Release	
Z	No manual release or DA button (UL)
A	Manual release
B	DA button (~200N)
C	Manual release and DA button (~200N)

Pedal	
Z	No Option - standard pedal (UL)
A	Pedal lock

Cover	
Z	Standard Cover (UL)
A	Pole with ball handle (recommended to use with base plate if stand alone - see accessories)
B	Emergency stop on cover
C	Pole with emergency stop (recommended to use with base plate if stand alone - see accessories)

Bluetooth	
Z	No Bluetooth (UL)
A	Bluetooth BLE2

If you require a customized solution for your program contact our sales team.