

- ▶ UL 60601-1 approved
- ▶ Secure PAN (Personal Area Network), with up to 2 transmitters
- ▶ Ultra low power with 1µA sleep current
- ▶ Range: Nominally 10 m (up to 15 m line of sight, Latency may increase with range)
- ▶ Selectable Latency:
  - Setting 1. Typically <200 ms at 10 m
  - Setting 2. Typically <100 ms at 10 m
- ▶ LED indication of battery status
- ▶ Choice of 15 or 60 minutes timeout for further battery conservation
- ▶ Auto wake from sleep/re-connect on press of the pedal
- ▶ Externally accessible IPx7 battery compartment
- ▶ Runs on commercially available Alkaline cells

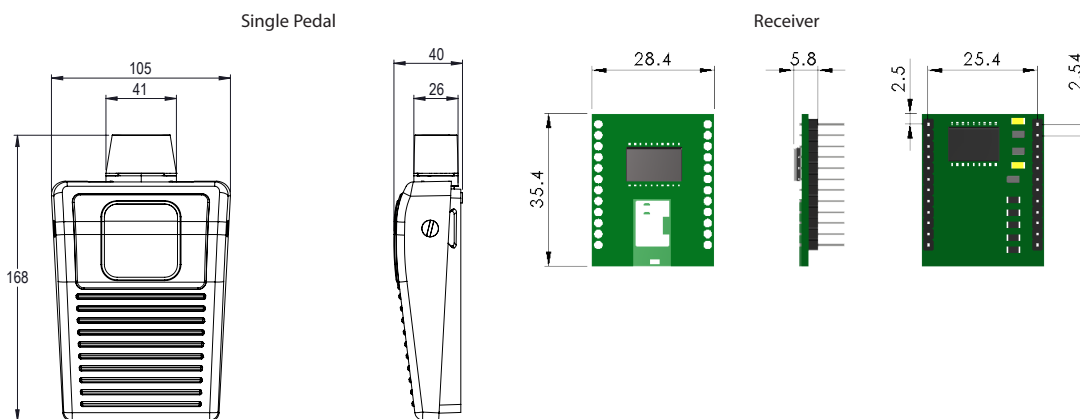
# 6210 MEDICALLY APPROVED BLUETOOTH® TRANSMITTER



Specifications	
Supply rating	Receiver: 5 - 24V DC Footswitch: 2 x AAA Alkaline batteries
Output configuration	Open collector transistor outputs, (24V DC 100mA Max.)
Degree of protection	EN 60529 IPx7
Connections	Receiver connections via 2.54 mm pitch PCB pin header, suitable for connections to LEDs and push button or microcontrollers: <ul style="list-style-type: none"> <li>• Transistor Output</li> <li>• 1 pairing button Input</li> <li>• 1 pairing process indication output</li> <li>• 1 battery level indication output</li> <li>• 2 transmitter connection status indication outputs</li> <li>• Sleep timeout select input</li> <li>• Latency Select Input, typically &lt;100mS or &lt;200mS for extended battery life</li> <li>• Power Connections</li> </ul>
Operating temperature	0 to +40°C
Body material	Thermoplastic
Standards/approvals	UL 60601-1, file number E353500, Low Voltage Directive 2014/35/EU, REACH, RoHS & WEEE
Radio type approvals	Europe (ETSI RED) US (FCC/CFR 47 part 15 unlicensed modular transmitter approval) Canada (IC RSS)
Certification and compliance	Radio Equipment Directive 2014/53/EU: <ul style="list-style-type: none"> <li>• Effective use of frequency spectrum: EN 300 328</li> <li>• EMC: EN 301 489-1, EN 301 489-17, EN 61000-6-2</li> <li>• Health and safety: EN62479, EN 60950-1</li> </ul> Medical Device Directive 93/42/EEC: <ul style="list-style-type: none"> <li>• EN 60601-1-2 Compliant (Customer's risk assessment required)</li> <li>• EN 60601-1, file number E353500</li> <li>• Conforms to ISO 14971:2012</li> </ul>

The Bluetooth® word mark and logos are registered trademarks owned by Bluetooth SIG, Inc. and any use of such marks by Herga Technology is under license. Other trademarks and trade names are those of their respective owners.

## Dimensions



# 6210 MEDICALLY APPROVED BLUETOOTH® TRANSMITTER



## Ordering information

(Please use the characters in the chart below to create your product code)

Sample Code 6210 BLE2 - A AA

### Cover Colour

A	Gray Black
B	Black

Other colours to be discussed with Sales

### Label

AA	Herga Label
XX	Customer specific

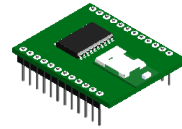


Sample Code 6311 BLE2 - AAA

### Receiver

001	8 open collector transistor outputs
002	Housed, 6 relay outputs

XXX Customer specific



Stock models : 6210-BLE2-AAA  
6311-BLE2-001  
6311-BLE2-002

If you require a customized solution for your program contact our sales team.