



P321 | WET WET DIFFERENTIAL

Pressure Sensors

Description

The P321 series of Wet Wet Differential Pressure Sensors use a 5 Vdc input to measure the differential pressure between two pressure ports, providing a 0.5 to 4.5 Vdc output proportional to pressure. Incorporating an oil-filled capacitive sense element, these sensors are able to withstand vacuum (negative) pressures as well as high common mode pressures. The large diaphragm protects these sensors from the accumulation of soot and other harsh materials.

Packaged in Ultem 2000 Series Plastic and using a carbon steel metal bracket as its mounting feature, the P321 is rugged and durable by design. It is temperature compensated to meet the accuracy requirements of the customer, and is rated to perform continuously at temperatures up to 125°C.

Specifically intended to withstand high common mode pressures, high vibration environments, and with its resistance to soot and other acidic media, the P321 pressure sensor delivers the optimal solution without compromising performance or reliability.



Features

- Linear Amplified Output
- High Common Mode Capability
- Temperature Compensated
- Low Power Consumption
- Rugged Design
- Soot Resistant
- High Temperature Performance
- Compatible with Harsh Environments & Exhaust Media

Applications

- Exhaust Gas Recirculation (EGR)
- Diesel Particulate Filter (DPF)
- Chillers
- Differential Pressure for Natural Gas Power Generation
- Oil Differential Sensing on Compressors

Standard Full Scale Pressure Ranges

0-5 through 0-50 PSI Differential
0-0.35 through 0-3.50 Bar Differential



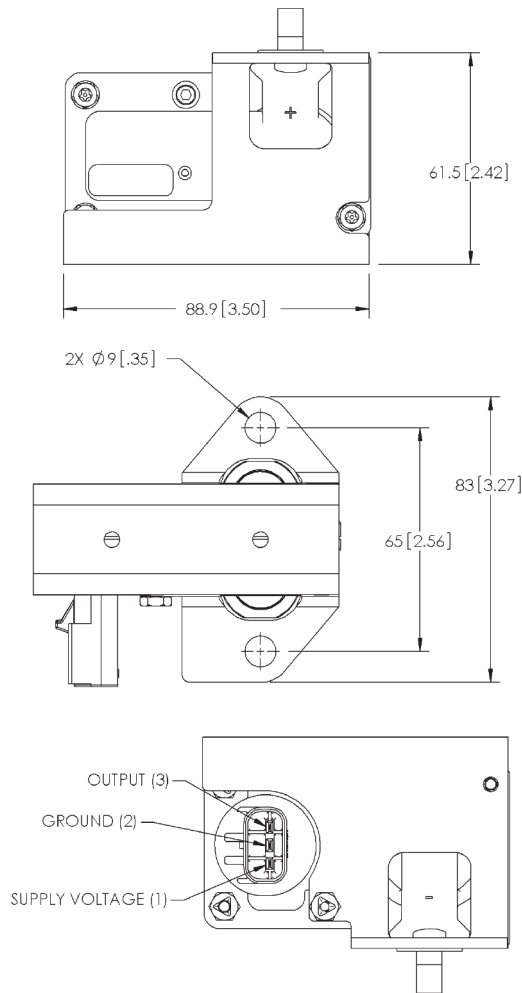
TECHNICAL SPECIFICATIONS

Pressure Ranges	5 PSI Differential range to 50 PSI Differential range
Proof Pressure	45 PSI Differential (High Side) 30 PSI Differential (Low Side)
Burst Pressure	100 PSI Differential (High Side) 100 PSI Differential (Low Side)
Electrical Specs	
Supply Voltage	5.0 Vdc ± 0.25 Vdc
Supply Current	<5mA
Nominal Output Voltage	Zero/Null Pressure: 0.5 Vdc Full Pressure: 4.5 Vdc Span: 4.0V
Sensing Technology	Oil-Filled Capacitive
Main Seal	Fluorosilicone or Fluorocarbon
Media Compatibility	Exhaust
Operating Temperature	-40C to 125C
Typical Accuracy	2%
Response / Start-Up Time	100ms to 140ms at 63% Level
Output Impedance	<100 ohms
Mechanical Specs	
Housing Material	Ultem 2000 Series Plastic
Operating Temperature Range	-40C to +125C
Typical Electrical Connector	
Connector	Framatone FCI Connector



DIMENSIONS

Dimensions in mm [Inch]



Revised 2/16/18

Sensata Technologies, Inc. ("Sensata") data sheets are solely intended to assist designers ("Buyers") who are developing systems that incorporate Sensata products (also referred to herein as "components"). Buyer understands and agrees that Buyer remains responsible for using its independent analysis, evaluation and judgment in designing Buyer's systems and products. Sensata data sheets have been created using standard laboratory conditions and engineering practices. Sensata has not conducted any testing other than that specifically described in the published documentation for a particular data sheet. Sensata may make corrections, enhancements, improvements and other changes to its data sheets or components without notice.

Buyers are authorized to use Sensata data sheets with the Sensata component(s) identified in each particular data sheet. HOWEVER, NO OTHER LICENSE, EXPRESS OR IMPLIED, BY ESTOPPEL OR OTHERWISE TO ANY OTHER SENSATA INTELLECTUAL PROPERTY RIGHT, AND NO LICENSE TO ANY THIRD PARTY TECHNOLOGY OR INTELLECTUAL PROPERTY RIGHT, IS GRANTED HEREIN. SENSATA DATA SHEETS ARE PROVIDED "AS IS". SENSATA MAKES NO WARRANTIES OR REPRESENTATIONS WITH REGARD TO THE DATA SHEETS OR USE OF THE DATA SHEETS, EXPRESS, IMPLIED OR STATUTORY, INCLUDING ACCURACY OR COMPLETENESS. SENSATA DISCLAIMS ANY WARRANTY OF TITLE AND ANY IMPLIED WARRANTIES OF MERCHANTABILITY, FITNESS FOR A PARTICULAR PURPOSE, QUIET ENJOYMENT, QUIET POSSESSION, AND NON-INFRINGEMENT OF ANY THIRD PARTY INTELLECTUAL PROPERTY RIGHTS WITH REGARD TO SENSATA DATA SHEETS OR USE THEREOF.

All products are sold subject to Sensata's terms and conditions of sale supplied at www.sensata.com SENSATA ASSUMES NO LIABILITY FOR APPLICATIONS ASSISTANCE OR THE DESIGN OF BUYERS' PRODUCTS. BUYER ACKNOWLEDGES AND AGREES THAT IT IS SOLELY RESPONSIBLE FOR COMPLIANCE WITH ALL LEGAL, REGULATORY AND SAFETY-RELATED REQUIREMENTS CONCERNING ITS PRODUCTS, AND ANY USE OF SENSATA COMPONENTS IN ITS APPLICATIONS, NOTWITHSTANDING ANY APPLICATIONS-RELATED INFORMATION OR SUPPORT THAT MAY BE PROVIDED BY SENSATA.

Mailing Address: Sensata Technologies, Inc., 529 Pleasant Street, Attleboro, MA 02703, USA.

CONTACT US

Americas

+1 (800) 350 2727
sensors@sensata.com
switches@sensata.com

Europe, Middle East & Africa

+359 (2) 809 1826
pressure-info.eu@sensata.com

Asia Pacific

sales.isasia@list.sensata.com
China +86 (21) 2306 1500
Japan +81 (45) 277 7117
Korea +82 (31) 601 2004
India +91 (80) 67920890
Rest of Asia +886 (2) 27602006
ext 2808