

# | 35CP SERIES

## INDUSTRIAL PRESSURE TRANSDUCER

The 35CP series is ideal for general industrial applications where long-term reliability & accuracy is a must. This series provides proven reliability at a competitive price. Sensata Technologies has been a leading global supplier of pressure sensors & switches for over 50 years.



### Features

- Enhanced accuracy over wide operating range.
- Housing options are compatible with most media
- EMC protection compliance with EN 61326
- Broad operating temp. range (-30°C to +100°C)
- Exceptional shake and vibration tolerance
- Overvoltage and reverse polarity protection
- Small size and simple installation

### Applications

- Compressors & Water Pumps
- Hydraulics & Pneumatics
- Agriculture & Construction Equipment
- Transportation & Off Road Vehicles
- Engine Controls & Monitors
- Alternative Energy Management
- Process Control & Automation
- Medical

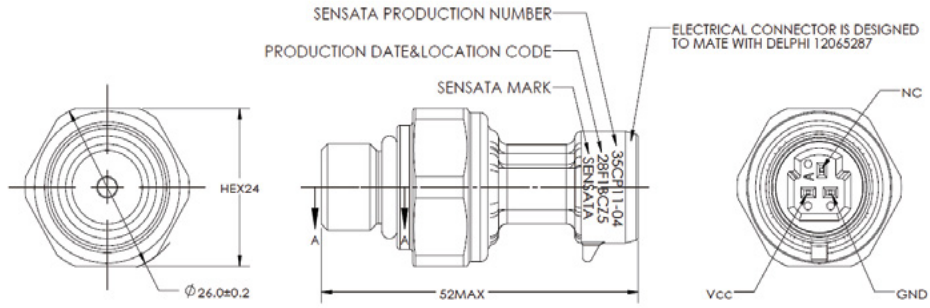
## SPECIFICATIONS

<b>Operating Pressure Range</b>	0 ~ 5..... 50bar
<b>Accuracy</b>	±1.0%F.S.(Linear, Hysteresis, Repeatability, Calibration) @25°C
<b>Total Error Band</b>	Voltage output: ±2.0% (-30°C ~100°C); Current Output: ±2.5% (-20°C ~ +85°C)
<b>Operating Temperature Range</b>	-30°C ~ +100°C (Typical)
<b>Storage Temperature</b>	-40°C ~ +85°C (Typical)
<b>Proof Pressure</b>	1.5X ~ 3X (Max. Operating Pressure Range)
<b>Burst Pressure</b>	2X ~ 5X (Max. Operating Pressure Range)
<b>Pressure Life Cycle</b>	1~5M Full Span Cycles (Depends on Max. Operating Pressure Range)
<b>Vibration (IEC 60068-2-6)</b>	10g (55~2000Hz)
<b>Drop (IEC 60068-2-32)</b>	1.0m
<b>Output Signal</b>	0.5 ~ 4.5VDC Ratiomatic (5VDC power supply), 4 ~ 20mA (8 ~ 30VDC power supply)
<b>Response Time</b>	<10 ms
<b>Over Voltage</b>	20VDC ( Voltage Output), 40VDC (Current Output)
<b>Reverse Voltage</b>	-14VDC (Voltage Output), -40VDC (Current Output)
<b>Short Circuit Protection</b>	Yes
<b>EMC (EN 61326-1)</b>	Pass
<b>EMC (EN 61326-2-3)</b>	Pass
<b>ESD (IEC 61000-4-2)</b>	±8 kV (Air); ±4 kV (Contact)
<b>Certification</b>	RoHS REACH CE UL

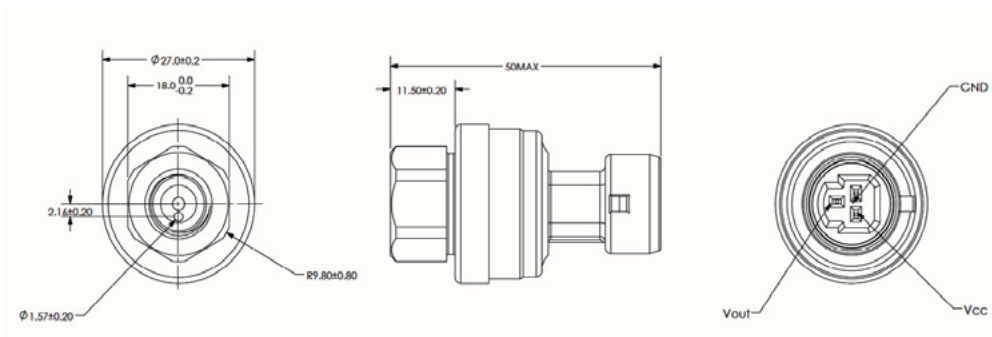
# DIMENSIONS

Dimensions in mm [Inch]

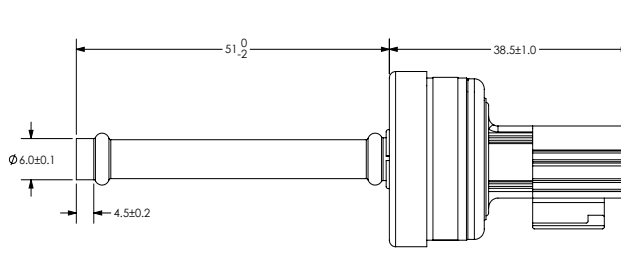
## 35CP Series: Stainless Steel Port



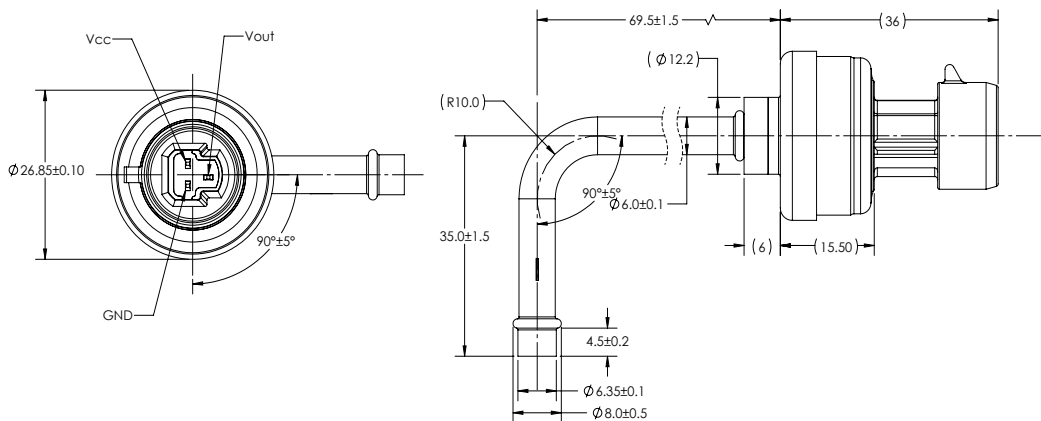
## 35CP Series: Brass Port

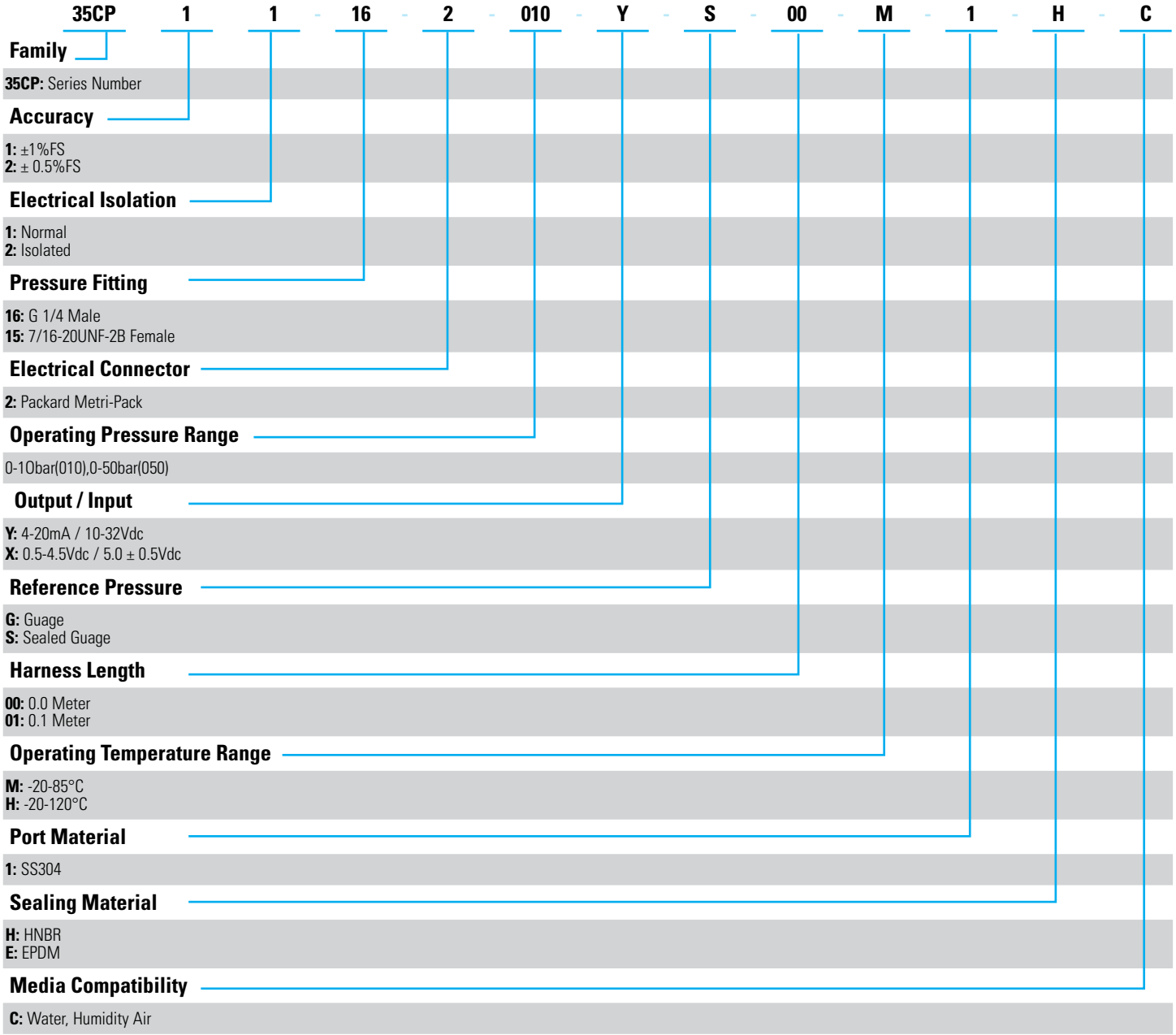


## 35CP Series: Copper I-Tube



## 35CP Series: Copper L-Tube





Sensata Technologies, Inc. ("Sensata") data sheets are solely intended to assist designers ("Buyers") who are developing systems that incorporate Sensata products (also referred to herein as "components"). Buyer understands and agrees that Buyer remains responsible for using its independent analysis, evaluation and judgment in designing Buyer's systems and products. Sensata data sheets have been created using standard laboratory conditions and engineering practices. Sensata has not conducted any testing other than that specifically described in the published documentation for a particular data sheet. Sensata may make corrections, enhancements, improvements and other changes to its data sheets or components without notice.

Buyers are authorized to use Sensata data sheets with the Sensata component(s) identified in each particular data sheet. HOWEVER, NO OTHER LICENSE, EXPRESS OR IMPLIED, BY ESTOPPEL OR OTHERWISE TO ANY OTHER SENSATA INTELLECTUAL PROPERTY RIGHT, AND NO LICENSE TO ANY THIRD PARTY TECHNOLOGY OR INTELLECTUAL PROPERTY RIGHT, IS GRANTED HEREIN. SENSATA DATA SHEETS ARE PROVIDED "AS IS". SENSATA MAKES NO WARRANTIES OR REPRESENTATIONS WITH REGARD TO THE DATA SHEETS OR USE OF THE DATA SHEETS, EXPRESS, IMPLIED OR STATUTORY, INCLUDING ACCURACY OR COMPLETENESS. SENSATA DISCLAIMS ANY WARRANTY OF TITLE AND ANY IMPLIED WARRANTIES OF MERCHANTABILITY, FITNESS FOR A PARTICULAR PURPOSE, QUIET ENJOYMENT, QUIET POSSESSION, AND NON-INFRINGEMENT OF ANY THIRD PARTY INTELLECTUAL PROPERTY RIGHTS WITH REGARD TO SENSATA DATA SHEETS OR USE THEREOF.

All products are sold subject to Sensata's terms and conditions of sale supplied at [www.sensata.com](http://www.sensata.com) SENSATA ASSUMES NO LIABILITY FOR APPLICATIONS ASSISTANCE OR THE DESIGN OF BUYERS' PRODUCTS. BUYER ACKNOWLEDGES AND AGREES THAT IT IS SOLELY RESPONSIBLE FOR COMPLIANCE WITH ALL LEGAL, REGULATORY AND SAFETY-RELATED REQUIREMENTS CONCERNING ITS PRODUCTS, AND ANY USE OF SENSATA COMPONENTS IN ITS APPLICATIONS, NOTWITHSTANDING ANY APPLICATIONS-RELATED INFORMATION OR SUPPORT THAT MAY BE PROVIDED BY SENSATA.

Mailing Address: Sensata Technologies, Inc., 529 Pleasant Street, Attleboro, MA 02703, USA.

**CONTACT US**

**Americas**  
 +1 (800) 350 2727  
 sensors@sensata.com  
 switches@sensata.com

**Europe, Middle East & Africa**  
 +359 (2) 809 1826  
 pressure-info.eu@sensata.com

**Asia Pacific**  
 sales.isasia@list.sensata.com  
 China +86 (21) 2306 1500  
 Japan +81 (45) 277 7117  
 Korea +82 (31) 601 2004  
 India +91 (80) 67920890  
 Rest of Asia +886 (2) 27602006  
 ext 2808