

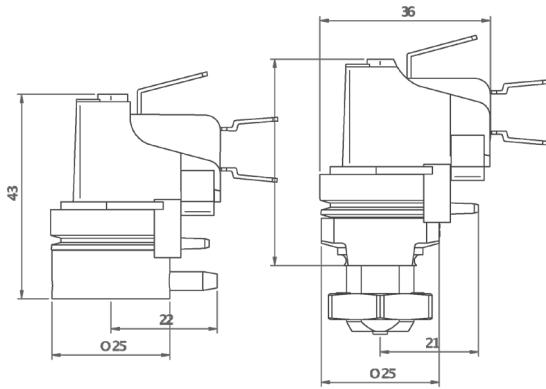


- ▶ **Double insulated for conductive media**
- ▶ **Multiple cap and spout options available**
- ▶ **Gold contacts available**
- ▶ **Other pressures available up to 690 mbar**
- ▶ **Temperature compensation options available**

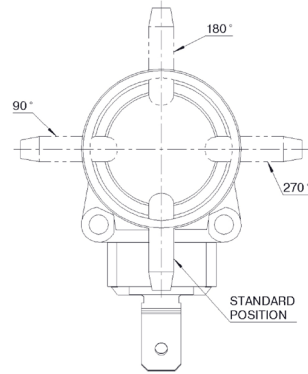
Specifications	
Standards/approvals	EN 60335-2-60
Degree of protection	N/A
Connection method	Via back or side entry spouts, 4 mm Ø or 2 mm Ø
Electrical rating	See table below
Contact configuration	SPCO
Activation Point	20 mbar to 690 mbar
Operating temperature range	-5°C to +70°C
Body material	Thermoplastic
Weight	0.023 kg



## Dimensions



## SE Cap Positions





## Ordering information

(Please use the characters in the chart below to create your product code)

**Sample Code**                    6773 -    A    A    A    A    -    A    A    A

### Aviation Pressure

- A    50 mbar +/- 50% (0.1A & 10A) 100 mbar +/- 50% (21A)

### Electrical Connection

- A    Side entry standard length spout, 4 mm Ø standard orientation

---

- B    Side entry standard length spout, 4 mm Ø rotated to 90°

---

- C    Side entry standard length spout, 4 mm Ø rotated to 180°

---

- D    Side entry standard length spout, 4 mm Ø rotated to 270°

---

- E    Side entry long spout, 4 mm Ø standard orientation

---

- F    Side entry long spout, 4 mm Ø rotated to 90°

---

- G    Side entry long spout, 4 mm Ø rotated to 180°

---

- H    Back entry short thread / spout, 4 mm Ø not suitable for O ring

---

- J    Back entry long thread / spout, 4 mm Ø

---

- K    Back entry long thread / spout, 2 mm Ø

---

- L    Back entry long thread / spout, 4 mm Ø rotated to 90°

### Temperature Compensation Options

- A    Without

---

- B    With



## Ordering information

(Please use the characters in the chart below to create your product code)

**Sample Code**                    6773 -     A     A     A     A     -     A     A     A

### Nut Specifications

- A    Black moulded nut

---

- B    Black moulded nut and O ring (only available with cap options J, K & L)

---

- Z    No nut required

### Terminal Combinations

- A    3 tag QC 6.3 x 0.8 mm, SPCO

---

- C    3 tag QC 6.3 x 0.9 mm 90° crank, SPCO (Option C under Microswitch rating must be selected: 21A only)

### Microswitch Rating

- A    0.1A 125 / 250V AC, Gold contacts (not available with option C from section above)

---

- B    10A 125 / 250V AC 1/4 HP, Silver contacts

---

- C    21A 250V AC 2 HP, 125 V AC 1 HP, Silver contacts

**If you require a customized solution for your program contact our sales team.**