

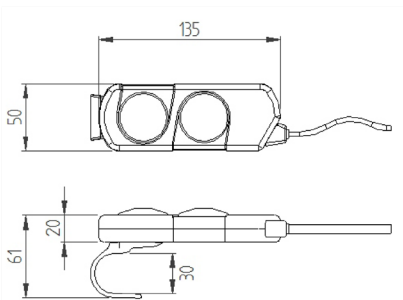


- ▶ **Large soft buttons**
- ▶ **Ergonomic design for comfort**
- ▶ **Light operating force**
- ▶ **Choice of curly or straight tubing**
- ▶ **Various colour & ident options**
- ▶ **Inherently waterproof**
- ▶ **For use with 6871 & 6872 airswitches**

Specifications	
Standards/approvals	n/a
Degree of protection	n/a
Connection method	1.5mm I/D tube for use with airswitches with 2mm spouts
Electrical rating	n/a
Contact configuration	n/a
Pressure range	n/a
Operating temperature range	-5°C to +40°C with temperature compensated airswitches
Body material	Thermoplastic
Weight	135 g approx.
Additional information	Various attachment methods and labels available

Recommended depression time is 30 seconds, for applications requiring a greater period please contact sales to discuss further.

Dimensions





Ordering information

(Please use the characters in the chart below to create your product code)

Sample Code 6450 - A B C D - A B E Z

Body colour

- A Grey

- B Black

Body

- A With moulded Herga logo

- B With printed Herga logo

- C With printed peration logo
(select from options below)

- D With blank recess

- E Without label recess

Operation label options

- A Bed motif - Head up/down

- B Bed motif - Bed up/down

- C Bed motif - Legs up/down

- D Arrows - up/down

- Z No label required

Button Colour

- A Grey

- B Blue

- C Black

- D White

- E Red

- F Green

If you require a customized solution for your program contact our sales team.



Ordering information

(Please use the characters in the chart below to create your product code)

Sample Code 6450 - A B C D - A B E Z

Button labelling

- A Plain buttons
- B Buttons with embossed arrows

Tube type

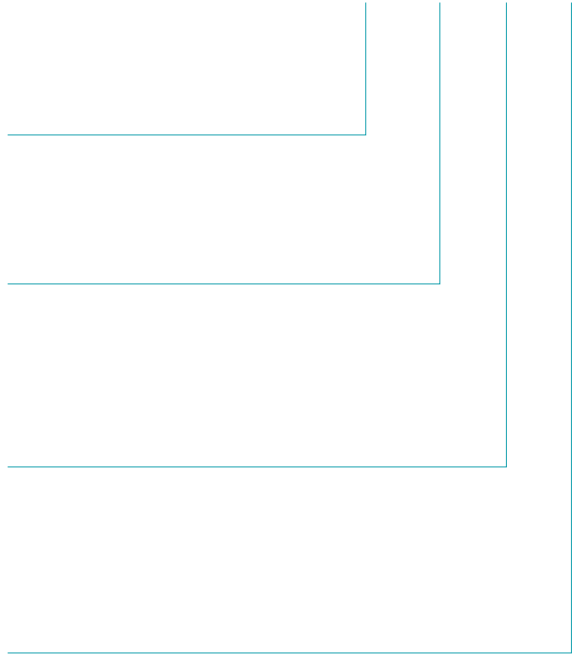
- A Grey twin polyurethane 1.5mm bore
- B Grey twin polyurethane curly coil

Tube length

- A 2 metres
- B 3 metres
- F Curly coil - unstretched 0.9m, stretched 2.4m

Fixtures

- A With hook
- B With suction cup
- Z No fixtures



If you require a customized solution for your program contact our sales team.