



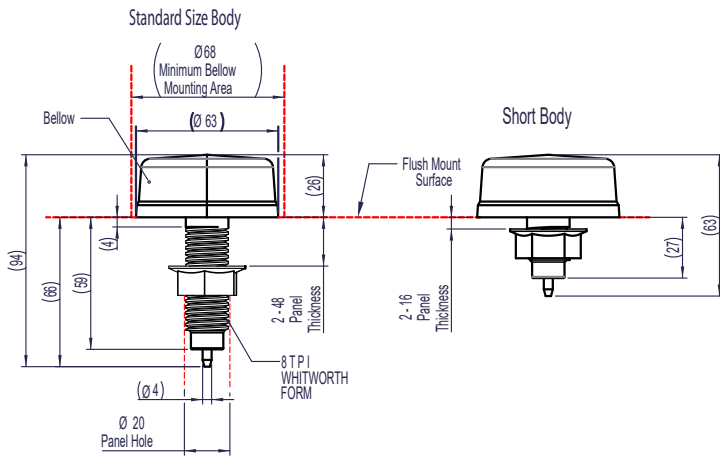
- ▶ **Durable bellows designed for flush panel mounting**
- ▶ **Available with shorter shank upon request**
- ▶ **Easily cleaned**

Specifications	
Standards/approvals	n/a
Connection method	Via back entry spout, 4mm dia.
Electrical rating	n/a
Contact configuration	n/a
Pressure range	Works with 6871, 6872, 6773, 6753, 6891, 6893, 6861, 6862, 6863, 6864, 6869 – dependent on tube length
Mounting	Through panel with integral thread & nut
Air connection	Spout, 4mm dia.
Panel thickness	2.0mm to 48.0mm
Tube reference	2311-01 or 2311-08
Operating temperature range	0° C to +60 °C
Body material	Thermoplastic
Weight	0.053Kg
Additional information	Other colour options available upon request. Ask our sales team about the short threaded option (better suited for mounting in thin panels)

Recommended depression time is 30 seconds, for applications requiring a greater period please contact sales to discuss further.



Dimensions





Ordering information

(Please use the characters in the chart below to create your product code)

Sample Code 6433 - Z A 00

Colour option	
A	Black
B	Grey
C	White
D	Red
F	Green

Stock models:

6433-ZA00	Black
6433-ZC00	White
6433-ZF00	Green
6433-0004	Blue
6433-0011	Red short body

If you require a customized solution for your program contact our sales team.