

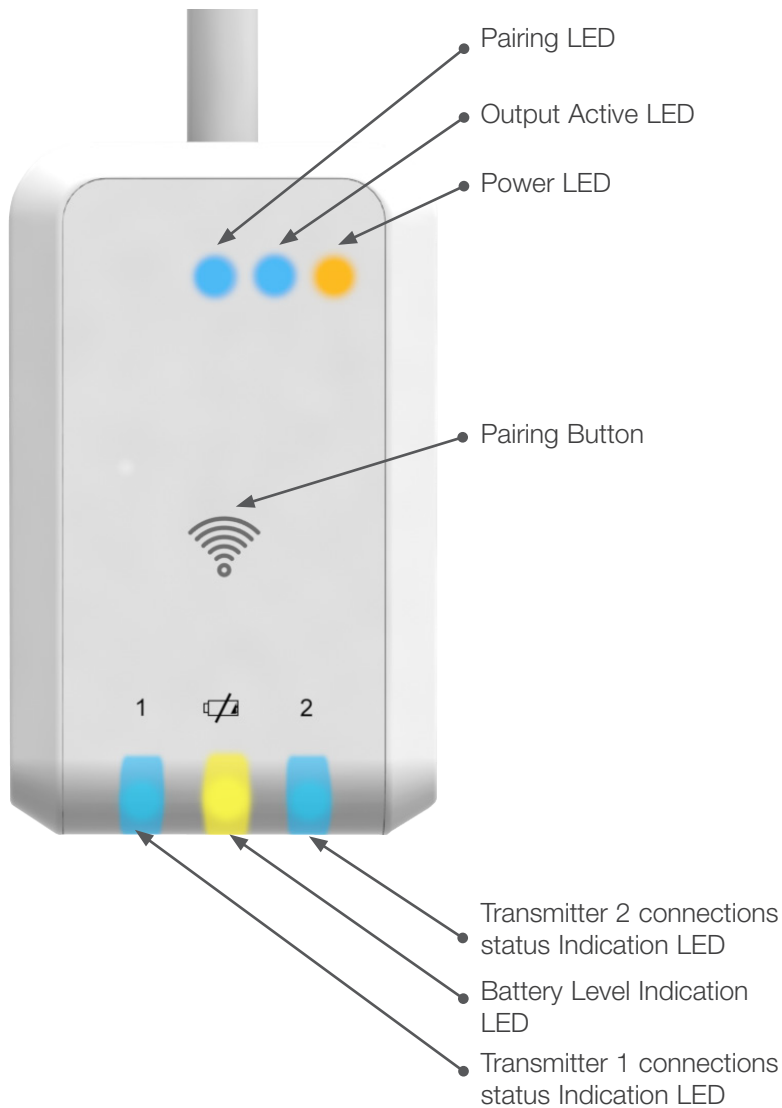
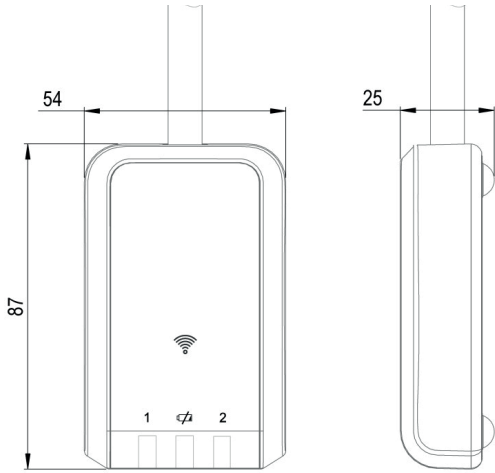
- ▶ **UL 60601-1 approved**
- ▶ **Secure PAN (Personal Area Network), with up to 2 transmitters**
- ▶ **Ultra low power with 1µA sleep current**
- ▶ **Range: Nominally 10 m (up to 15 m line of sight, Latency may increase with range)**
- ▶ **Selectable Latency:**  
**Setting 1. Typically <200 ms at 10 m**  
**Setting 2. Typically <100 ms at 10 m**
- ▶ **Choice of 15 or 60 minutes timeout for further battery conservation**
- ▶ **Auto wake from sleep/re-connect on press of the pedal**

Specifications	
Supply rating	12-24V DC
Output configuration	Switch output: Normally open contact relay (1.75A 24V DC MAX)
Degree of protection	EN 60529 IP44
Connections	Cable connections via 300mm long cable with free wire ends: <ul style="list-style-type: none"> <li>• Power connections</li> <li>• Relay outputs</li> <li>• Battery Indication output</li> <li>• PWM output</li> </ul>
Storage temperature	-20 to +65° C
Operating temperature	0 to +40° C
Body material	Thermoplastic
Standards/approvals	Low Voltage Directive 2014/35/EU, REACH, RoHS & WEEE
Radio type approvals	Europe (ETSI RED) US (FCC/CFR 47 part 15 unlicensed modular transmitter approval) Canada (IC RSS)
Certification and compliance	Radio Equipment Directive 2014/53/EU: <ul style="list-style-type: none"> <li>• Effective use of frequency spectrum: EN 300 328</li> <li>• EMC: EN 301 489-1, EN 301 489-17, EN 61000-6-2</li> <li>• Health and safety: EN62479, EN 60950-1</li> </ul> Medical Device Directive 93/42/EEC: <ul style="list-style-type: none"> <li>• EN 60601-1-2 Compliant (Customer's risk assessment required)</li> <li>• EN 60601-1</li> <li>• Conforms to ISO 14971:2012</li> </ul>

# 6311 - BLE2 - 002 BLUETOOTH HOUSED RECEIVER



## Dimensions



Removing the rear panel gives the user access to switches for setting the latency of the system and sleep timeout of the connected transmitters



### Cable connections

Function	Wire colour
12-24VDC In	Red
0V	Black
Battery Indication output	Violet
PWM Output	Pink
Relay Output 1	Blue
	Blue/Red
Relay Output 2	Green
	Green/White
Relay Output 3	Brown
	Brown/Green
Relay Output 4	Yellow
	Yellow/Brown
Relay Output 5	White
	White/Yellow
Relay Output 6	Grey
	Grey/Pink