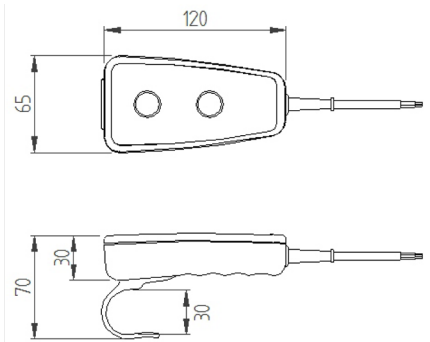


In standard configuration buttons are single pole, normally open contacts. Max. switch rating is 10 Amps @ 250V AC (resistive). Specification options include wiring configurations, cable lengths, plugs, attachment methods (hooks, suction cups) & IP ratings. Subject to order quantity, the product can be personalised by including company logos, colours and text on the label.

Spezifikationen	
Standards/approvals	Low voltage directive 2014/35/EU
Degree of protection	EN 60529 IP54 to IP68
Connection method	Connector of your choice or free wire ends
Electrical rating	1A 24V to 10A 250VAC
Contact configuration	Normally open
Pressure range	n/a
Operating temperature range	-5°C to +40°C
Body material	Thermoplastic
Weight	0.5Kg
Additional information	Custom labelling available for OEM applications



Dimensions



2 Button version 6310-8120-3XXX



4 Button version 6310-8120-3XXX

