



- ▶ **Sturdy & durable industrial footswitch**
- ▶ **Unique functional design aesthetic**
- ▶ **Optional guard accomodates safety shoe use**
- ▶ **Infinite multiplication of footswitches due to original modular design**
- ▶ **Adaptable range of accessories**
- ▶ **Waterproof to IP67 (EN 60529)**
- ▶ **DA button on request**

The DA button is a pressure point that adds a mechanical resistance in the actuation path of the pedal. This gives the user an additional physical signal about the actuation position (tactile feedback). The pressure point is used with applications that require two switching systems with different settings (2-stage switching).



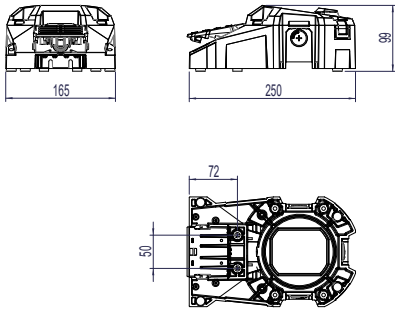
General Specifications	
Standards/Approvals	CE, UL 60947-1 & 60947-5-1, CSA C22.2 60947-1 & 60947-5-1, UL file number E501802*
Degree of protection	EN 60529 IPX2, optional IP67 with seal kit 6050-5500-0138 or adequate components
Connection method	Internal terminal block / cable with free wire ends. As standard, cable exit is from the rear
Electrical Rating	See ordering & options
Contact Configuration	See ordering & options
Operating temperature range	-20° C to +60° C (with UL certification)
Body material	Thermoplastic, Injection moulded ABS (High Impact), self extinguishing UL 94-V0
Cover material	Thermoplastic (ABS), self extinguishing UL 94-V0
Guard stability	Drop weight: 20 kg at 1 m
Weight	Unguarded 0.9 kg, guarded 1.2 kg
Life expectancy	Mechanical: 2 Mio cycles Electrical: 10 Mio cycles
Additional information	Through hole consideration on the base for securing to the floor 3 x M20 x 1.5 conduit entry, Ø cable diameter 6-13mm
Switch specifications	
Rated operating voltage	250V AC
Rated insulation voltage	500Vac 600Vdc (300V UL Rating)
Conventional thermal current	25A 10A with UL certification
Utilization category	Alternate current: AC15 (50-60 Hz) Operating voltage: U_e (V) 250 400 500 Operating current: I_e (A) 6 4 1
Short Circuit Current	1kA
Direct opening action	acc. to IEC/EN 60947-5-1
Short-circuit protective device	Fuse 10A aM
Contact gap	>3 mm. Suitable for mains isolation
Terminals	Screw connection terminals & self lifting clamp for connection of flexible leads min: 1 x 0.5mm ² max: 2 x 2.5mm ²

* depending on configuration & accessories chosen, footswitch might not have UL certification

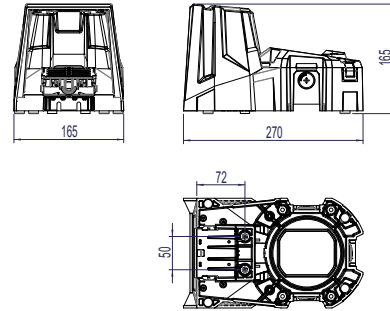


Dimensions

Unguarded



Guarded



Contact Configuration

Snap Action Switch Options



6256-XBAX-ZZZZ	6256-XBBX-ZZZZ	6256-XBCX-ZZZZ

Slow Break & Make Switch Options

6256-XAAX-ZZZZ	6256-XABX-ZZZZ	6256-XACX-ZZZZ	6256-XBDX-ZZZZ	6256-XBEX-ZZZZ	6256-XBFX-ZZZZ



Ordering information

(Please use the characters in the chart below to create your product code)

Sample Code 6256 - A A A Z - Z Z Z Z

Footswitch safety

- A Unguarded (UL)

- B Guarded (UL)

Electrical

- A Slow break & make; AC-15 6A 250V / DC-12 6A 24V (UL)

- B Slow break & make; AC-15 6A 250V / DC-12 6A 24V (UL)

- C 5k Ohm potentiometer + snap action microswitches (must use switching option "G")

- D 10k Ohm potentiometer + snap action microswitches (must use switching option "G")

- F High Power rating (25A / 8A inductive - 125/250V AC 1HP 125/250V AC) (must use switching option "H")

Switching operation

- A 1 NO + 1 NC (UL)

- B 2 NO + 2 NC

- C 2 NO + 2 NC - staggered

- D 2x (1 NO + 1 NC)

- E 4x (1 NO + 1 NC)

- F 4x (1 NO + 1 NC)- staggered

- G Potentiometer - Double pole change over contacts (must use "Electrical option C/D")

- H Double pole change over contacts, 2 switches, high power (must use "Electrical option F")

Cable options

- Z No cable (*cable kits under accessories (UL))

If you require a customized solution for your program contact our sales team.



Ordering information

(Please use the characters in the chart below to create your product code)

Sample Code 6256 - A A A Z - Z Z Z Z

Release	
Z	No manual release or DA button (UL)
A	Manual release
B	DA button (~200N)
C	Manual release and DA button (~200N)
Pedal	
Z	No Option - standard pedal (UL)
A	Pedal lock
Cover	
Z	Standard Cover (UL)
A	Pole with ball handle (recommended to use with base plate if stand alone - see accessories)
B	Emergency stop on cover
C	Pole with emergency stop (es wird empfohlen, die Grundplatte für erhöhte zu verwenden - siehe Zubehör)
Bluetooth	
Z	No Bluetooth (UL)
A	Bluetooth BLE2

Stock models : **SK-6256 - AAAZ - ZZZZ**
 SK-6256 - BAAZ - ZZZZ

If you require a customized solution for your program contact our sales team.