



- ▶ **Sturdy durable industrial footswitch**
- ▶ **Stylish ergonomic design**
- ▶ **Available in many different colors**
- ▶ **Customer colours and logos available on request**
- ▶ **Special designs according to customer specifications**
- ▶ **Guard with plenty of room for safety shoes**
- ▶ **Waterproof EN 60529 IP 67 (IP 68 on request)**
- ▶ **Coupling with self-lifting plates for cable to 2 x 2.5mm²**
- ▶ **Available ready with cable and connector**

Specifications	
Standards/approvals	EN60204-1 with switching to meet EN60947-5-1, DIN VDE 0660-200, IEC 60947-5-1
Degree of protection	EN 60529 IP67 (IP68 upon request)
Connection method	Internal terminal block, cabled versions available upon request
Electrical rating	See ordering & options
Contact configuration	See ordering & options
Operating temperature range	-25°C to +60°C
Body material	Die cast aluminium
Weight	Cover/unguarded 1Kg or 1.5Kg guarded
Average mechanical life	1 x 10 ⁶ operations
Additional information	The electrical housing has an environmental rating of IP67. To achieve this, a minimum torque of 1.7N should be applied to the two enclosure screws



	Options A & B			Options H&J	
Rated operating voltage	500V AC, over 380V AC same potential only				
Rated operational current	AC 40 - 60 Hz			AC 50 - 60 Hz	
	Le/AC-12	Ue	Le/AC-15	Ue (V)	Le/AC-15 (A)
	(A)	(V)	(A)	230	3
	10	24	10		
	10	125	10		
	10	230	6		
	10	400	4		
10	500	3			
Note: When the footswitch is supplied with a pre-wired cordset, the cordset rating takes precedence over the footswitch rating. The rating will be marked on the cordset					
Electrical Life Expectancy at Category AC-15	0.5 X 10 ⁶ switching cycles when interrupting 6A AC-15 at 250V				
Contact configuration	Normally open + normally closed positive opening operation to EN 60947-5-1				
Contact Gap	>3mm, suitable for mains isolation				
Terminals	Screw terminals and self-lifting clamp for connection of flexible leads min. 2 x 1.5 mm ² - max. 2 x 2.5 mm ²			Screw terminals for connection of flexible lead wire min. 1 x 0.5 mm ² - max. 2 x 2.5 mm ²	
Action Type from Order Code	A	B	D	E	
Limit switch action	1 Pole Slow Make - Slow	1 Pole Snap Action	2 Pole Snap Action	2 Pole Slow Make - Slow Break	

In all applications except where protective extra low voltage (PELV) circuits are being switched, an earth conductor must be installed.

The earth conductor should be rated in accordance with the prevailing standards.
Microswitch standards: EN 60730, EN 61058
Microswitch Approvals: ENEC, CSA, UL



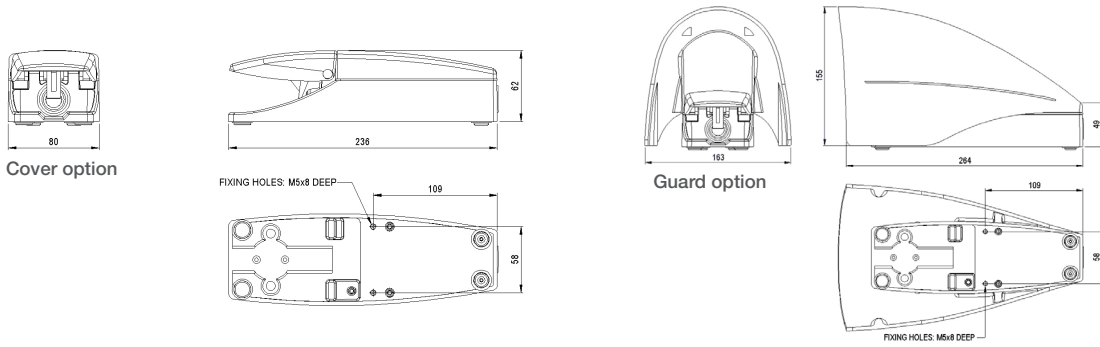
21A microswitch				
Average life expectancy	Mechanical	1.0 X 10 ⁶		
	Electrical	2.0 X 10 ⁵ @ 10A	1.0 X 10 ⁴ @ 21A	
		Max. electrical load		
	Voltage (V)	Resistive (A)	Inductive (A)	Motor (Pf0.75)
AC	250V 250V 125V	21A 21A 21A	8A	2HP 1HP

25A microswitch				
Average life expectancy	Mechanical	1.0 X 10 ⁶		
	Electrical	1.0 X 10 ⁵ @ 1.0A		
		Max. electrical load		
	Voltage	Resistive (A)	Inductive (A)	Motor (Pf0.75)
AC	250V 250V	25A 25A		2HP 2HP
UL/CSA	125V	25A		1HP

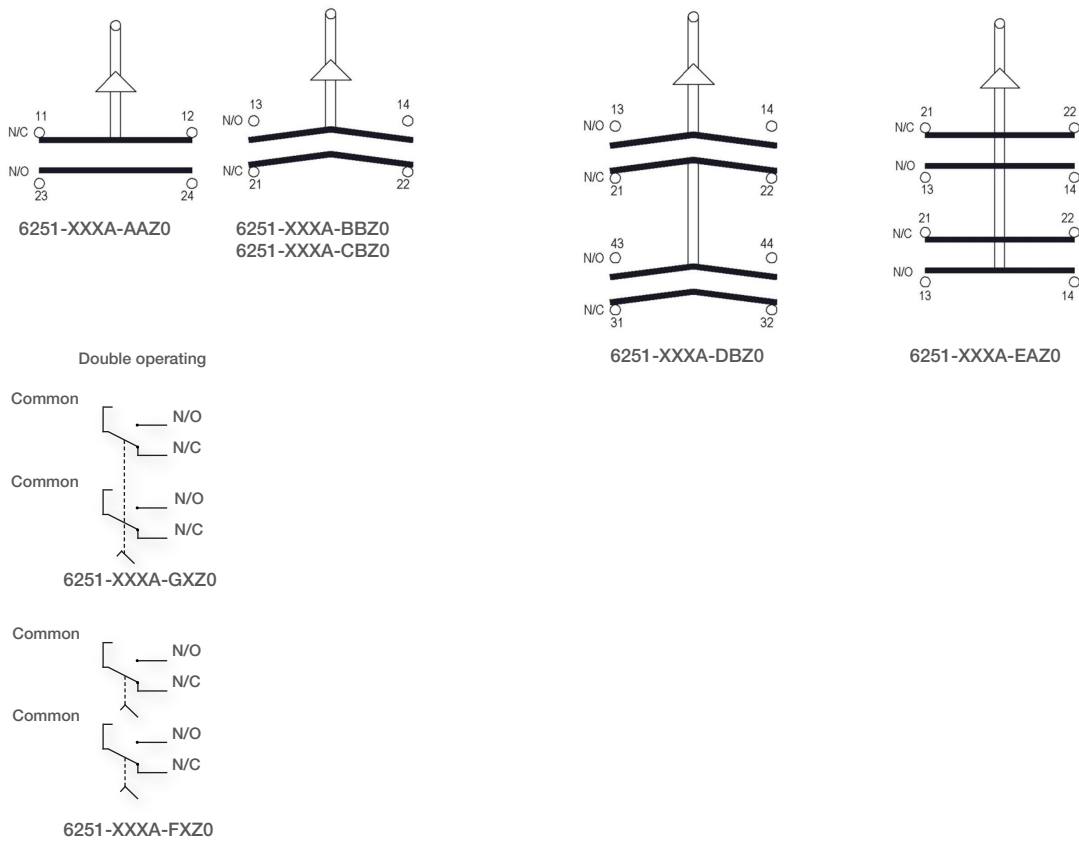
Gold contact microswitch				
Average life expectancy	Mechanical	1.0 X 10 ⁶		
	Electrical	2.0 X 10 ⁵ @ 0.1A		
		Max. electrical load		
	Voltage	Resistive (A)	Inductive (A)	Motor (Pf0.75)
AC UL/CSA	250V 125V	0.1A 0.1A	0.05	N/A
Note	Dry Switching: These switches must be used for low power circuits i.e. low current (4 to 100 mill amperes) and low voltage (below 30V), consult herga for further advice.			



Dimensions



Switch connections





Ordering information

(Please use the characters in the chart below to create your product code)

Sample Code 6251 - A A A A - AA Z 0

Cover and guard colours	
A	Cover Yellow
B	Guard Yellow
C	Cover White
D	Guard White
E	Cover Blue
F	Guard Blue
Base colour	
A	Black
B	White
Thread/ Hole information	
A	M20 Rear hole
B	PG13,5 Rear hole
C	PG13,5 Rear hole with double M20 side holes
D	PG13,5 Rear hole with double PG 13.5 side holes
Tread colour	
A	Black
Action/Electrical rating	
AA	Single Operation, Slow Break & Make ; AC-15 6A 250V
BB	Single Operation, Snap Break & Make ; AC-15 6A 250V
CB	Latching, Snap Break & Make ; AC-15 6A 250V
DB	Double Operation, Snap Break & Make ; AC-15 6A 250V
EA	Double Operation, Slow Break & Make ; AC-15 6A 230V
FE	SPCO + SPCO Staggered Snap Single Break, V3 ; 21A 250V AC
FF	SPCO + SPCO Staggered Snap Single Break, V3 ; 0.1A 250V AC
FG	SPCO + SPCO Staggered Snap Single Break, V3 ; 25A 250V AC
GE	DPCO Snap Single Break, V3 Silver Contacts ; 21A 250V AC
GF	DPCO Snap Single Break, V3 Gold Contacts ; 0.1A 250V AC
GG	DPCO Snap Single Break, V3 Silver Contacts ; 25A 250V AC
Emergency Stop	
Z	No emergency stop

If you require a customized solution for your program contact our sales team.