

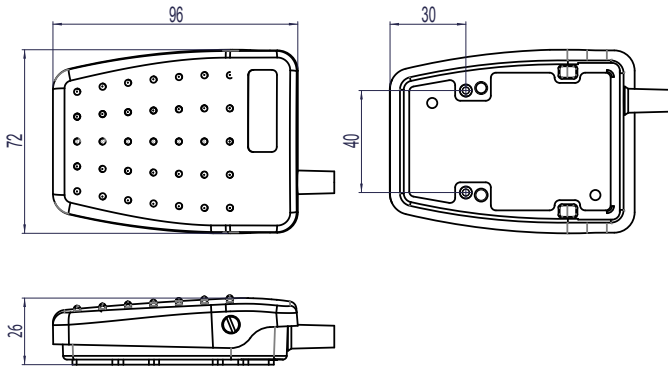


- ▶ **Low profile, rear hinged switch designed for improved user comfort**
- ▶ **All plastic construction with raised tread pattern and anti-slip pad**
- ▶ **Versatile and innovative design make it an ideal product for OEM use**
- ▶ **Switches designed to meet industrial/office/commercial standards**
- ▶ **Increased temperature range of -20 to +80°C**

Specifications	
Standards/approvals	Footswitch: Low voltage directive 2014/35/EU, EN 60950
Degree of protection	EN 60529 IPX7
Connection method	2 m of cable with stripped cable cores
Electrical rating	Max. 3A 250V AC/DC
Contact configuration	SPCO
Operating temperature range	-20°C to +80°C
Body material	Thermoplastic
Weight	0.14Kg (including cable)
Additional information	Customized versions available (logos, cordsets, colours, guards)



## Dimensions





## Ordering information

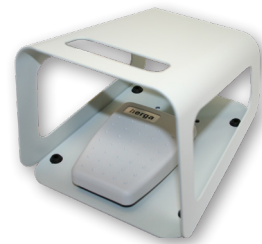
(Please use the characters in the chart below to create your product code)

**Sample Code**      6229   -   A   C   B   A   -   Z   B   ZZ   -   000

Cover	
A	Black
B	Grey
Base configuration	
C	Base fitted with M3 brass inserts & Neoprene pad
Switching action	
B	Single pole change over microswitch (CC)
Electrical rating	
A	Gold contacts, 0.1A 24V AC/DC
B	Silver contacts, 3A 250V AC/DC
Cable	
B	2m of black cable
Special attributes	
001 through 999 indicates special attributes	

## Accessories

Part-Number	Description
6202-0001	Single black, RAL 9005 guard
6202-0002	Single grey, RAL 7035 guard
6202-0003	Twin grey, RAL 7035 guard



If you require a customized solution for your program contact our sales team.