

# DWPM3

## Draw Wire Potentiometer Metal Case



RESISTIVE  $\Omega$

ANALOG 0-10 V  
4-20 mA

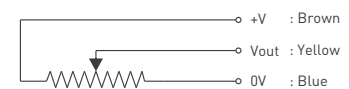
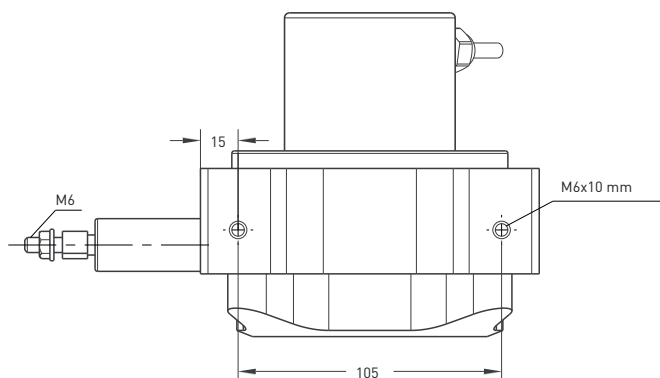
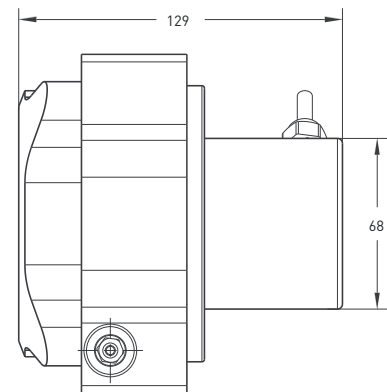
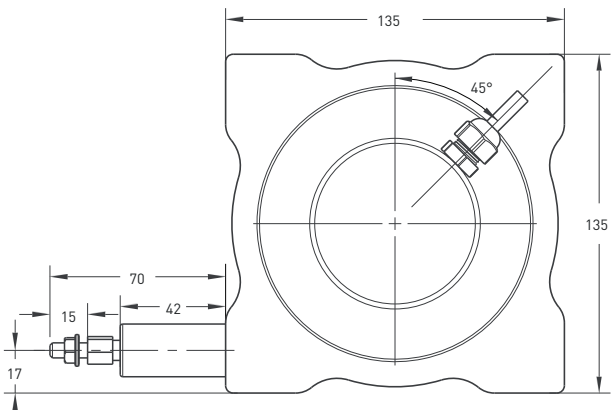
- Measuring length 4550 - 10000 mm
- 5 kOhm / 10 kOhm resistive type or 0-5V, 0-10V, 0-20 mA, 4-20 mA internal electronic circuit



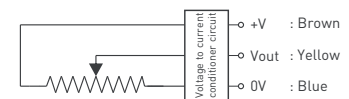
### Technical Specifications

Measurement stroke	4550 - 10000 mm
Type of measurement	Resistive (voltage divider)
Linearity	0,5 %
Output type	Resistive output : 5 kOhm / 10 kOhm Analog output : 0-5 V, 0-10 V, 0-20 mA or 4-20 mA
Power supply	24 VDC max. 15 - 30 V (voltage / current output)
Electrical connections	2.5 m cable (standard)
Displacement speed	2 m/s
Case material	Aluminium
Weight	< 2100 gr
Protection level	IP 65
Operating temperature	-20°C ... +80°C
Storage temperature	-30°C ... +90°C

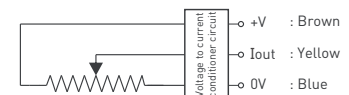
### Mechanical Specifications



POTENTIOMETRIC OUTPUT



0-10V VOLTAGE OUTPUT



0-20mA / 4-20mA CURRENT OUTPUT

### Ordering Procedure

Model	Case type	Measurement stroke	Linearity	Output	Connector/cable	Cable output
DWPM	3	4550	A	5K	2M5	R
DWPM	3	4550 - 10000 mm	A: 0,5%	5K : 5K $\Omega$ 10K : 10K $\Omega$ V5 : 0-5V V10 : 0-10V I20 : 0-20mA I4 : 4-20mA	2M5: 2.5 meter cable 5M : 5 meter cable 8M : 8 meter cable 10M : 10 meter cable	R: Radial A: Axial (optional)

Above given technical data are only for information purpose. OPKON has right to change product specifications without notice.