

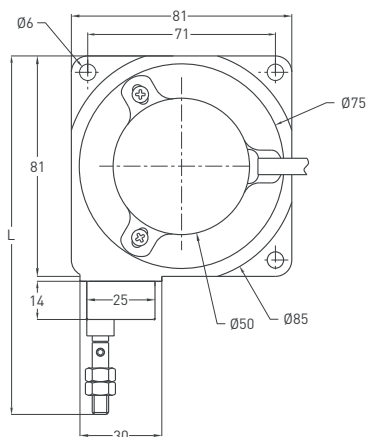
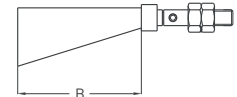
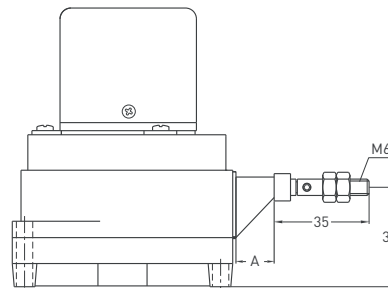
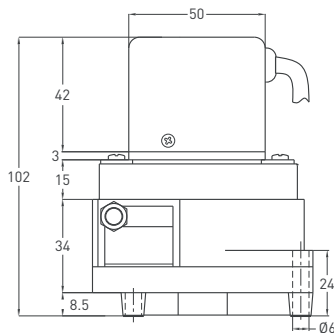


- Measuring length 500 - 3600 mm
- Incremental encoder output  
Push-Pull, TTL, Linedriver or HLD

**Technical Specifications**

Measurement range	500 - 3600 mm
Type of measurement	Optical
Resolution	0,1 mm/pulse, 0,2 mm/pulse
Output signal	A, B, Z or A, $\bar{A}$ , B, $\bar{B}$ , Z, $\bar{Z}$
Output signal type	Push-Pull, TTL, Linedriver or HLD
Power supply	8 - 24 VDC, 5 VDC
Power consumption (without load)	< 40 mA (24 VDC)
Electrical connections	2.5 m cable (standard)
Case material	Aluminium / Steel / ABS Plastic
Weight	< 600 gr
Protection level	IP 54
Operating temperature	-20°C ... +80°C
Storage temperature	-30°C ... +90°C

**Mechanical Specifications**



	Measurement stroke	L
A	14 mm	Up to 2500 mm
B	50 mm	From 2500 mm to 3600 mm

**Push-Pull Cable Output**

- +V : Brown
- 0V : White
- GND : Shield
- Ch A : Yellow
- Ch B : Green
- Ch Z : Gray

**TTL - High Linedriver Cable Output**

- +V : Brown
- 0V : White
- GND : Shield
- Ch A : Yellow
- Ch B : Green
- Ch Z : Gray
- Ch A inv. : Blue
- Ch B inv. : Red
- Ch Z inv. : Pink

**Ordering Procedure**

Model	Measurement stroke	Output	Resolution	Output signal	Power supply	Connektor/Cable	Cable output
DWE	500	LTP	P1000	Z	V3	2M5	R
DWE	500 - 3600 mm	TT : TTL LD : Linedriver LTP : Push-Pull HLD : High Linedriver	P1000 : 0,2 mm / pulse P2000 : 0,1 mm / pulse	Z : A, B, Z B : A, B, Z ZZ : AA, BB, ZZ	V1 : 5 VDC V2 : 8-24 VDC	2M5: 2.5 meter cable 5M : 5 meter cable 8M : 8 meter cable 10M : 10 meter cable	R: Radial A: Axial (optional)