

# DWEM2

## Draw Wire Encoder Metal Case



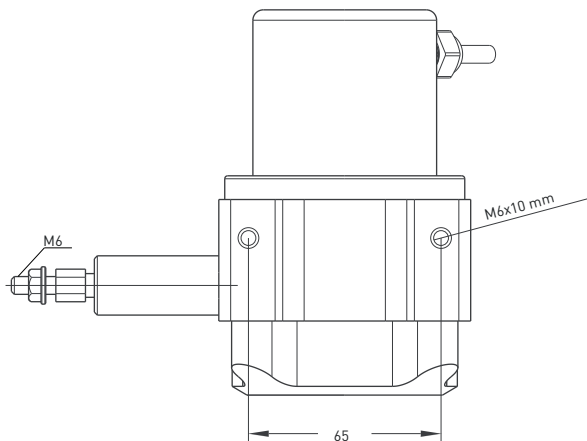
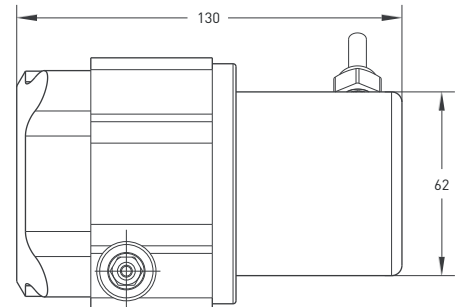
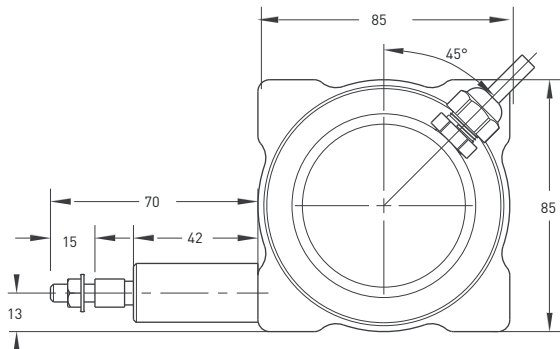
- Measuring length 1250 - 4200 mm
- Incremental encoder output  
Push-Pull, TTL, Linedriver or HLD



### Technical Specifications

Measurement range	1250 - 4200 mm
Type of measurement	Optical
Resolution	0,1 mm/pulse, 0,2 mm/pulse
Output signal	A, B, Z or A, $\bar{A}$ , B, $\bar{B}$ , Z, $\bar{Z}$
Output signal type	Push-Pull, TTL, Linedriver or HLD
Power supply	8 - 24 VDC, 5 VDC
Power consumption (without load)	< 40 mA (24 VDC)
Electrical connections	2.5 m cable (standard)
Displacement speed	2 m/s
Case material	Aluminium
Weight	< 1300 gr
Protection level	IP 65
Operating temperature	-20°C ... +80°C
Storage temperature	-30°C ... +90°C

### Mechanical Specifications



#### Push-Pull Cable Output

+V : Brown  
 0V : White  
 GND : Shield  
 Ch A : Yellow  
 Ch B : Green  
 Ch Z : Gray

#### TTL - High Linedriver Cable Output

+V : Brown  
 0V : White  
 GND : Shield  
 Ch A : Yellow  
 Ch B : Green  
 Ch Z : Gray  
 Ch A inv. : Blue  
 Ch B inv. : Red  
 Ch Z inv. : Pink

### Ordering Procedure

Model	Case type	Measurement stroke	Output	Resolution	Output signal	Power supply	Connektor/Cable	Cable output
DWEM	2	2000	LTP	P1000	Z	V3	2M5	R
DWEM	2	1250 - 4200 mm	TT : TTL LD : Linedriver LTP : Push-Pull HLD : High Linedriver	P1000 : 0,2 mm / pulse P2000 : 0,1 mm / pulse	Z : A, B, Z B : A, B, Z ZZ : A $\bar{A}$ , B $\bar{B}$ , Z $\bar{Z}$	V1 : 5 VDC V2 : 8-24 VDC	2M5: 2.5 meter cable 5M : 5 meter cable 8M : 8 meter cable 10M : 10 meter cable	R: Radial A: Axial (optional)