

# PRI 58RK

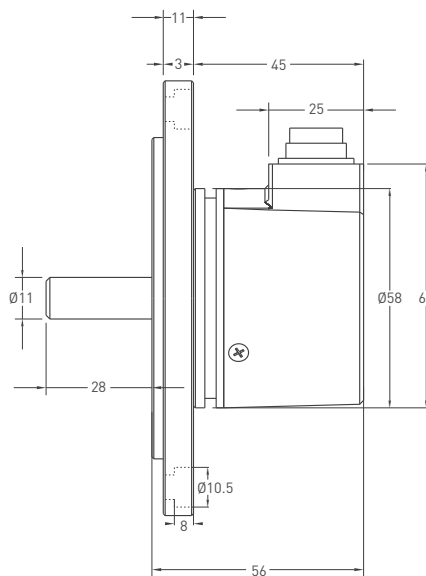
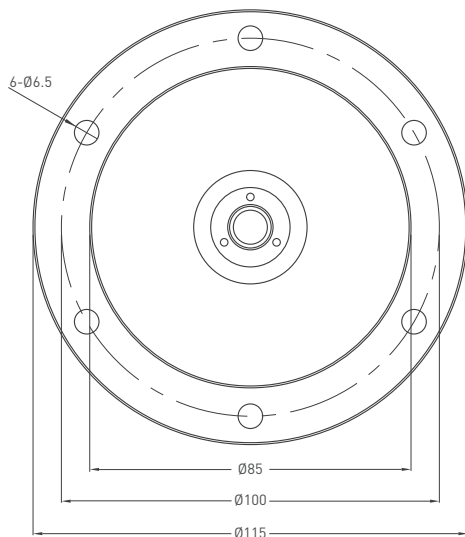
## Optic Rotary Incremental Encoder Tacho Flange



- 58 mm case diameter
- 100 - 150 - 200 - 360 - 400 - 500 - 600 - 720 - 1000 - 1024  
1800 - 2000 - 2048 - 2500 ppr.
- Push-Pull, TTL, Linedriver, HLD output
- Rod diameter 11 mm
- 3500 rpm max.

Technical Specifications	
Resolution	100 - 2500 ppr.
Output channels	A, B, Z or A,Ā, B,Ē, Z,Ž
Output type	TTL, Linedriver, Push-Pull, HLD
Power supply	5 VDC, 5-24 VDC or 8-24 VDC
Power consumption (without load)	<40 mA (24 VDC)
Cable	2,5 meter (standard) 5 wire + shield (Push-Pull) 2,5 meter (standard) 8 wire + shield (Linedriver)
Max. permissible shaft loading radial	60 N
axial	40 N
Displacement speed	3500 rpm
Rod diameter	Ø11 mm
Rod material	Stainless steel
Case dimensions	Ø58 mm
Case material	Aluminium and painted steel
Protection level	IP 54
Operating temperature	-20°C ... +80°C
Storage temperature	-30°C ... +90°C

### Mechanical Specifications



#### Push-Pull Cable Output

- +V : Brown
- 0V : White
- GND : Shield
- Ch A : Yellow
- Ch B : Green
- Ch Z : Gray

#### TTL - HLD - Linedriver Cable Output

- +V : Brown
- 0V : White
- GND : Shield
- Ch A : Yellow
- Ch B : Green
- Ch Z : Gray
- Ch A inv: Blue
- Ch B inv: Red
- Ch Z inv: Pink

### Ordering Procedure

Model	Case dimensions	Case type	Rod diameter	Output type	Resolution	Output signal	Power supply	Connector / Cable	Cable output
PRI	58	A	11	HLD	1024	Z	V2	2M5	R
PRI	58: 58 mm	RK : Tacho flange	R11 : 11 cm	LTD : Push-Pull LD : Linedriver HLD : High Linedriver TT : TTL	100 - 2500 ppr.	Z : A, B, Z B : A, B ZZ : AĀ, BĒ, ZŽ	V1 : 5 VDC V2 : 8 - 24 VDC V3 : 5 - 24 VDC	2M5 : 2,5 meter cable 5M : 5 meter cable 8M : 8 meter cable 10M : 10 meter cable C12 : 12 pin connector	R : Radial