

PRI 50LH

Optic Rotary Incremental Encoder



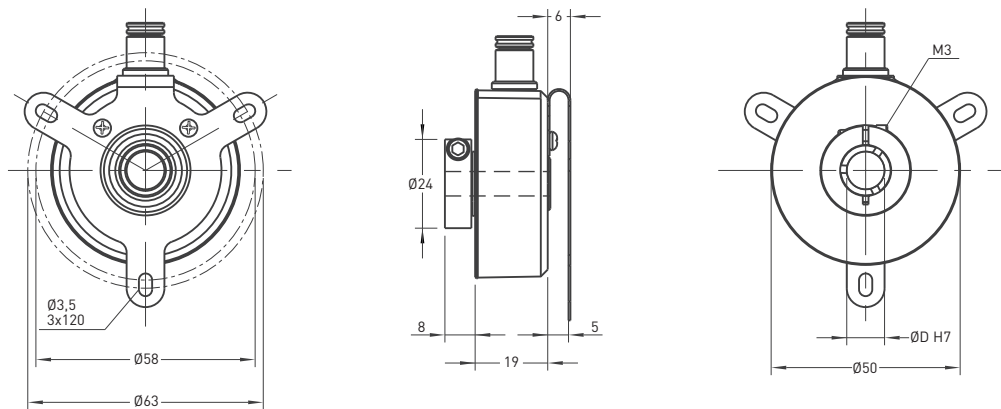
- 50 mm case diameter
- Hollow shaft case
- 1024 ppr.
- Push-Pull, TTL, Linedriver or HLD outputs
- Hollow shaft diameter 6-8-10-12 mm
- 3500 rpm max.



Technical Specifications

Resolution	1024 ppr.
Output channels	A,B,Z or A,Ā, B,Ā, Z,Z̄
Output type	Push-Pull, TTL, Linedriver, HLD
Power supply	5 VDC, 5-24 VDC or 8-24 VDC
Power consumption (without load)	< 40 mA (24 VDC)
Cable	2.5m (standard) 5 channels+Shield (Push-Pull) 2.5m (standard) 8 channels+Shield (Linedriver)
Max. permissible shaft loading radial	100 N
Max. displacement speed	3500 rpm
Rod diameter	Ø6-8-10-12 mm
Rod material	Stainless steel
Case diameter	Ø50 mm
Case material	Aluminium and painted steel
Protection level	IP 54
Operating temperature	-20°C ... +80°C
Storage temperature	-30°C ... +90°C

Mechanical Specifications



Push - Pull Cable Output

+V : Brown
0V : White
GND : Shield
Ch A : Yellow
Ch B : Green
Ch Z : Gray

TTL - HLD - Linedriver Cable Output

+V : Brown
0V : White
GND : Shield
Ch A : Yellow
Ch B : Green
Ch Z : Gray
Ch A inv.: Blue
Ch B inv.: Red
Ch Z inv.: Pink

Ordering Procedure

Model	Case diameter	Case type	Hollow shaft diameter	Output type	Resolution	Output channels	Power supply	Connector / Cable	Cable output
PRI	50	LH	8	HLD	1024	Z	V2	2M5	R
PRI	50mm	LH : Hollow	6 : 6 mm 8 : 8 mm 10 : 10 mm 12 : 12 mm	LTP : Push-Pull LD : Linedriver HLD : High Linedriver	1024 ppr.	Z : A, B, Z B : Ā, B ZZ : ĀĀ, BB, ZZ	V1 : 5V DC V2 : 8-24V DC V3 : 5-24V DC	2M5 : 2,5 meter cable 5M : 5 meter cable 8M : 8 meter cable 10M : 10 meter cable	R: Radial

The above technical datas are for information only. OPKON has the right for changing without any notifications.