

# PRI 50KH

## Optic Rotary Incremental Encoder



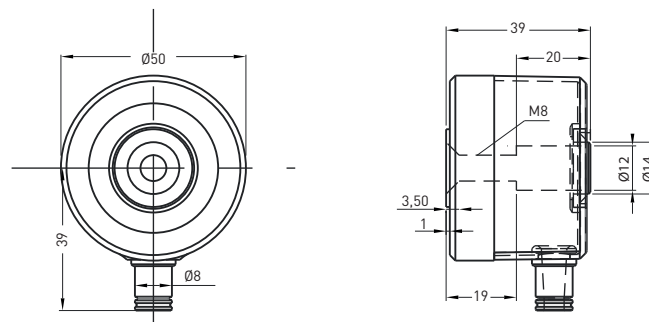
- 50 mm case diameter
- Hollow shaft case
- 1024 ppr.
- Push-Pull, TTL, HLD or Linedriver output
- Hollow diameter 15 mm
- 3500 rpm max.



### Technical Specifications

Resolution	1024 ppr.
Output channels	A, B, Z ya da A, $\bar{A}$ , B, $\bar{B}$ , Z, $\bar{Z}$
Output type	Push-Pull, TTL, HLD or linedriver
Power supply	5V DC, 8-24V DC or 5-24V DC
Power consumption (without load)	< 40 mA (24 VDC)
Cable	2.5m (Standard) 5 Wire + Shield for Push-Pull 2.5m (Standard) 8 Wire + Shield for Linedriver
Max. permissible shaft loading radial	100 N
Axial	60 N
Max. displacement speed	3500 rpm
Rod diameter	Ø15 mm
Rod material	Stainless steel
Case diameter	Ø50 mm
Case material	Aluminium
Protection level	IP 54
Operating temperature	-20°C ... +80°C
Storage temperature	-30°C ... +90°C

### Mechanical Specifications



#### Push-Pull Cable Output

+V : Brown  
0V : White  
GND : Shield  
Ch A : Yellow  
Ch B : Green  
Ch Z : Gray

#### TTL - HLD Cable Output

+V : Brown  
0V : White  
GND : Shield  
Ch A : Yellow  
Ch B : Green  
Ch Z : Gray  
Ch A inv : Blue  
Ch B inv : Red  
Ch Z inv : Pink

### Ordering Procedure

Model	Case diameter	Case type	Hollow diameter	Output type	Resolution	Output channels	Power supply	Connector / Cable	Cable output
PRI	50	KH	8	HLD	1024	Z	V2	2M5	R
PRI	50 mm	KH : Yarı delik	6 : 6mm 8 : 8mm 10 : 10mm 12 : 12mm 14 : 14mm 15 : 15mm	LTP : Push-Pull LD : TTL Linedriver HLD : High Linedriver	1024 ppr.	Z : A, B, Z B : A, B ZZ : AA, BB, ZZ	V1 : 5V DC V2 : 8 - 24V DC V3 : 5 - 24V DC	2M5 : 2,5 meter cable 5M : 5 meter cable 8M : 8 metre cable 10M : 10 metre cable	R : Radial

The above technical datas are for information only. OPKON has the right for changing without any notifications.