

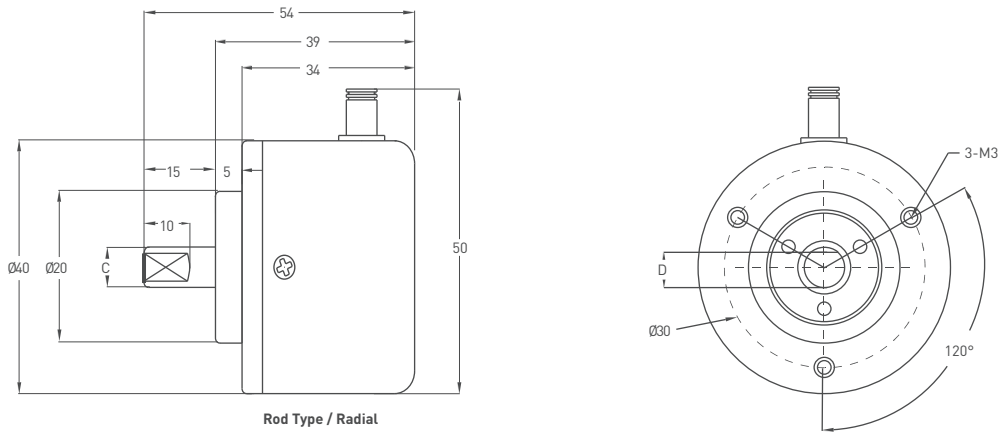
INCREMENTAL

- 300 - 1250 ppr. resolution
- Incremental encoder output
Push-Pull, TTL, Linedriver or HLD output



Technical Specifications	
Resolution	300 - 1250 ppr.
Output channels	A, B, Z or A,Ā, B,Ḃ, Z, Z̄
Output type	TTL, Linedriver, Push-Pull, HLD
Power supply	5 VDC, 5-24 VDC or 8-24 VDC
Power consumption (without load)	<40 mA (24 VDC)
Cable	2,5 meter (standard) 5 wire + shield (Push-Pull) 2,5 meter (standard) 8 wire + shield (Linedriver)
Max. permissible shaft loading radial	80 N
Displacement speed	3500 rpm
Rod diameter	Ø4 - 6 mm
Rod material	Stainless steel
Case dimensions	Ø40 mm
Case material	Aluminium and painted steel
Protection level	IP 54
Operating temperature	-20° ... +80°
Storage temperature	-30° ... +90°

Mechanical Specifications



PRI 40	R (rod)	
	C	D
	Ø4mm	3.30mm
	Ø6mm	5.30mm

Push-Pull Cable Output

- +V : Brown
- 0V : White
- GND : Shield
- Ch A : Yellow
- Ch B : Green
- Ch Z : Gray

TTL - HLD - Linedriver Cable Output

- +V : Brown
- 0V : White
- GND : Shield
- Ch A : Yellow
- Ch B : Green
- Ch Z : Gray
- Ch A inv. : Blue
- Ch B inv. : Red
- Ch Z inv. : Pink

Ordering Procedure

Model	Case diameter	Case type	Rod diameter	Output type	Resolution	Output signal	Power supply	Connector / Cable	Cable output
PRI	40	A	R6	HLD	300	Z	V2	2M5	R
PRI	40: 40mm	A: Clamping flange	R4 : 4mm R6 : 6mm	LTP : Push-Pull LD : Linedriver HLD : HLD Linedriver TT : TTL	300 - 1250 ppr.	Z : A, B, Z B : A, B Z̄ : AĀ, BḂ, Z̄	V1 : 5 VDC V2 : 8 - 24 VDC V3 : 5 - 24 VDC	2M5 : 2,5 meter cable 5M : 5 meter cable	R : Radial