

# MRI 58A

# MRI 58B

## Magnetic Rotary Incremental Encoder



### INCREMENTAL

- 58 mm case diameter
- 4 - 8 - 16 - 20 - 25 - 32 - 40 - 50, 64 - 80 - 100 - 125 - 128 - 160 - 200 - 250 - 256, 400 - 500 - 512 - 800 - 1000 - 1024 ppr.
- Push-Pull, TTL, Linedriver, Highlinedriver output
- Rod diameter 6 - 8 - 10 mm
- 3500 rpm max.



MRI A  
Clamping flange

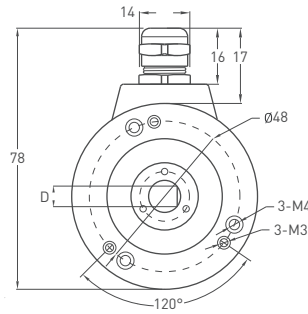
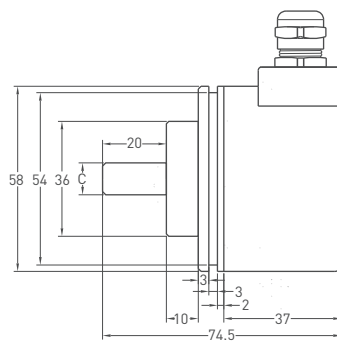


MRI B  
Synchro flange

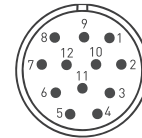
### Technical Specifications

|   |   |
|---|---|
| Type of measurement                     | Magnetic incremental non-contact                      |
| Resolution                              | 4 - 1024 ppr.   |
| Output channels                         | A, B, Z or A, $\bar{A}$ , B, $\bar{B}$ , Z, $\bar{Z}$ |
| Output type                             | TTL, Linedriver, Push-Pull, Highlinedriver            |
| Power supply                            | 5 VDC, 5-24 VDC or 8-24 VDC                           |
| Power consumption (without load)        | <40 mA (24 VDC)                                       |
| Electrical connection                   | 2,5 meter cable (standard)                            |
| Max. permissible shaft loading : Radial | 60 N  |
| : Axial                                 | 40 N  |
| Displacement speed                      | 3500 rpm  |
| Rod diameter                            | Ø6 - 8 - 10 mm  |
| Rod material                            | Stainless steel                                       |
| Case dimensions                         | Ø58 mm  |
| Case material                           | Aluminium / Steel                                     |
| Protection level                        | IP 54   |
| Operating temperature                   | -20°C ... +80°C                                       |
| Storage temperature                     | -30°C ... +90°C                                       |

### Mechanical Specifications



A Type (Clamping flange)



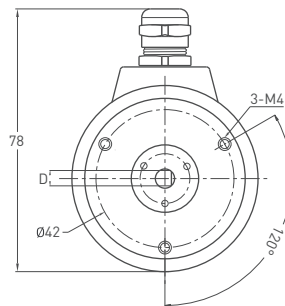
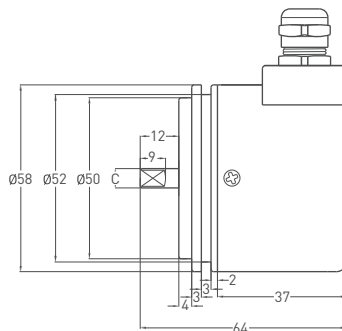
**C12 Type connector**  
Please ask for connection details

#### Push-Pull Cable Output

+V : Brown  
0V : White  
GND : Shield  
Ch A : Yellow  
Ch B : Green  
Ch Z : Gray

#### TTL - HLD - Linedriver Cable Output

+V : Brown  
0V : White  
GND : Shield  
Ch A : Yellow  
Ch B : Green  
Ch Z : Gray  
Ch A inv : Blue  
Ch B inv : Red  
Ch Z inv : Pink



B Type (Synchro flange)

| MRI 58 | A (shaft) |      | B (shaft) |      |
|--------|-----------|------|-----------|------|
|        | C         | D    | C         | D    |
|        | Ø6 mm     | 5 mm | Ø6 mm     | 5 mm |
|        | Ø8 mm     | 7 mm | Ø8 mm     | 7 mm |
|        | Ø10 mm    | 9 mm | Ø10 mm    | 9 mm |

### Ordering Procedure

| Model | Case diameter | Case type   | Rod diameter                      | Output type   | Resolution    | Output signal   | Power supply                                     | Cable   | Cable output            |
|-------|---------------|---|-----------------------------------|---|---------------|---|--|---|-------------------------|
| MRI   | 58            | A   | 8                                 | HLD   | 512           | Z   | V2   | 2M5   | R                       |
| MRI   | 58 mm         | A : Clamping flange<br>AW : Watertight<br>B : Synchro flange<br>BW : Watertight | R6 : 6mm<br>R8 : 8mm<br>R10: 10mm | LTD : Push-Pull<br>LD : Linedriver<br>HLD : High Linedriver<br>TT : TTL | 4 - 1024 ppr. | Z : A, B, Z<br>B : A, B<br>ZZ : A $\bar{A}$ , B $\bar{B}$ , Z $\bar{Z}$ | V1 : 5 VDC<br>V2 : 8 - 24 VDC<br>V3 : 5 - 24 VDC | 2M5: 2,5 meter cable<br>5M : 5 meter cable<br>8M : 8 meter cable<br>10M: 10 meter cable | R : Radial<br>A : Axial |

The above technical data are for information only. OPKON has the right for changing without any notifications.