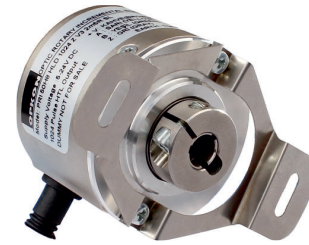


MRI 50SH

Magnetic Incremental Encoder Semi Hollow Shaft Case



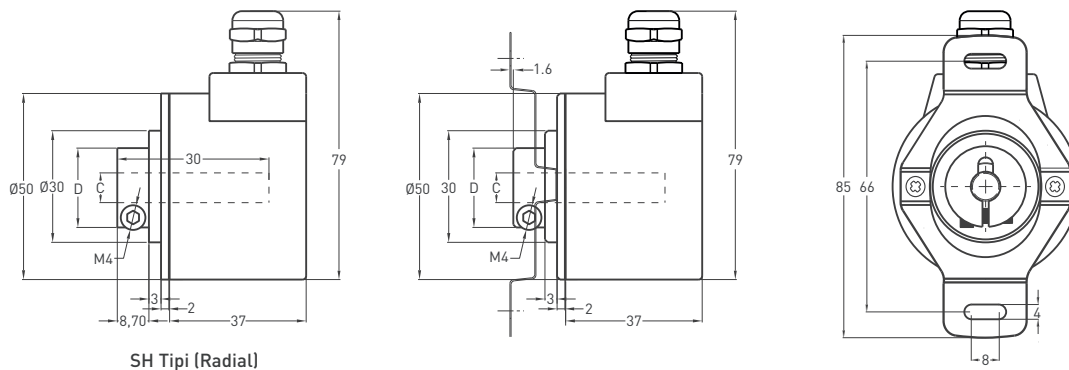
- 50 mm case diameter
- Semi hollow shaft case
- 4 - 8 - 16 - 20 - 25 - 32 - 40 - 50 - 64 - 80 - 100 - 124
128 - 160 - 200 - 250 - 256 - 400 - 500 - 512 - 800 - 1000 - 1024 ppr.
- Push-Pull, TTL, HLD or Linedriver output
- Hollow diameter 6 - 8 - 10 - 12 - 14 - 15 mm
- 3500 rpm max.



Technical Specifications

Type of measurement	Magnetic incremental non-contact
Resolution	4 - 1024 ppr.
Output channels	A, B, Z ya da A, \bar{A} , B, \bar{B} , Z, \bar{Z}
Output type	Push-Pull, TTL, HLD or Linedriver output
Power supply	8 - 24 VDC (standard) or 5 VDC (opsiyonel)
Power consumption (without load)	< 40 mA (24 VDC)
Electrical connections	2.5 meter cable (standard)
Max. permissible shaft loading radial	100 N
axial	60 N
Max. displacement speed	3500 rpm
Rod diameter	Ø6 - 8 - 10 - 12 - 14 - 15 mm
Rod material	Stainless steel
Case diameter	Ø50 mm
Case material	Aluminium / steel
Protection level	IP 54
Operating temperature	-20°C ... +80°C
Storage temperature	-30°C ... +90°C

Mechanical Specifications



SH Tipi (Radial)

MRI 50SH / H	SH (semi hollow)	
	C	D
	Ø6 mm	20 mm
	Ø8 mm	23 mm
	Ø10 mm	23,5 mm
	Ø12 mm	23,5 mm
	Ø14 mm	29,5 mm
	Ø15 mm	29,5 mm

Push-Pull Cable Output

+V	: Brown
0V	: White
GND	: Shield
Ch A	: Yellow
Ch B	: Green
Ch Z	: Gray

TTL - HLD Cable Output

+V	: Brown
0V	: White
GND	: Shield
Ch A	: Yellow
Ch B	: Green
Ch Z	: Gray
Ch A inv	: Blue
Ch B inv	: Red
Ch Z inv	: Pink

Ordering Procedure

Model	Case diameter	Case type	Hollow diameter	Output type	Resolution	Output signal	Power supply	Connector / Cable	Cable output
MRI	50	SH	8	HLD	512	Z	V2	2M5	R
MRI	50 mm	SH : Semi hollow	6 : 6mm 8 : 8mm 10 : 10mm 12 : 12mm 14 : 14mm 15 : 15mm	TT : TTL LD : Linedriver LTP : Push-Pull HLD : High Linedriver	4 - 1024 ppr.	Z : A, B, Z B : A, B Z \bar{Z} : A \bar{A} , B \bar{B} , Z \bar{Z}	V1 : 5V DC V2 : 8 - 24V DC V3 : 5 - 24V DC	2M : 2.5 meter cable 5M : 5 meter cable 8M : 8 meter cable 10M : 10 meter cable	R : Radial

The above technical datas are for information only. OPKON has the right for changing without any notifications.