

Very High-Speed CO₂ Sensor

DESCRIPTION

The SprintIR®-R is a small footprint high flow through NDIR CO₂ sensor using state-of-the-art solid-state LED optical technology. The low power LEDs are manufactured in-house, giving GSS complete control of the CO₂ sensor signal chain.

The SprintIR®-R is designed for applications that need fast response time and high-speed measurement capability. The SprintIR®-R takes 50 readings per second, making it ideal for equipment that needs real-time CO₂ gas analysis or monitoring.

The sensor is available in multiple versions, capable of measuring CO₂ levels up to 100% concentration.

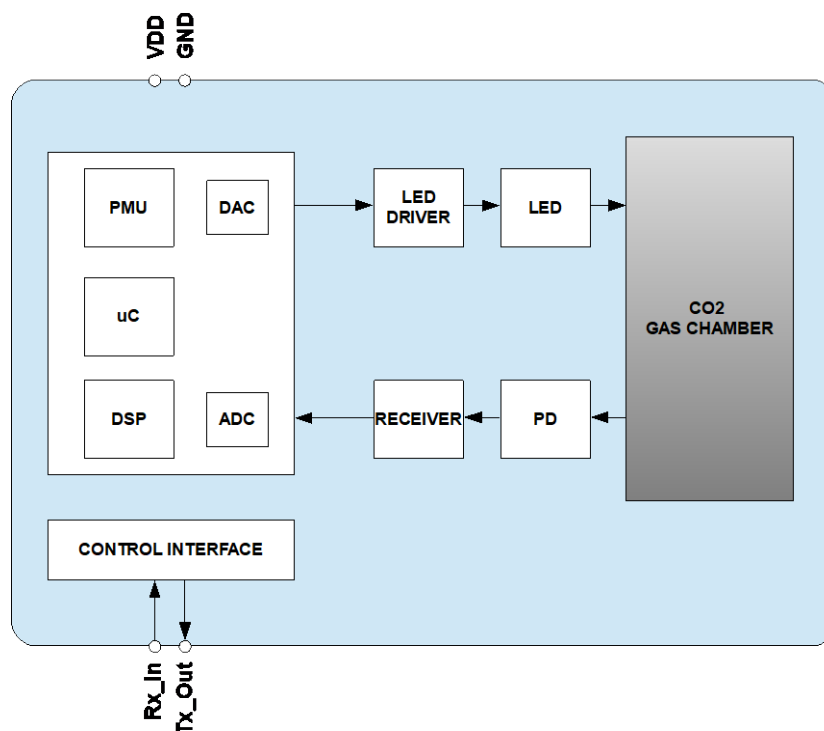
FEATURES

- 50 readings per second
- High flow throughput capability
- Custom flow adaptor options
- 70ppm typical measurement accuracy
- Measurement range up to 100%
- Solid state NDIR LED optical technology
- UART control and data interface
- Built-in auto-zeroing

APPLICATIONS

- Healthcare
- Food Packaging
- Sport Science
- CO₂ Fire Suppression Deployment

BLOCK DIAGRAM



Very High-Speed CO₂ Sensor

TABLE OF CONTENTS

DESCRIPTION..... 1

FEATURES..... 1

APPLICATIONS..... 1

BLOCK DIAGRAM..... 1

ORDERING INFORMATION..... 4

PACKAGE DRAWING: SprintIR®-R WITH FLOW PORT ADAPTOR..... 5

PIN-OUT DESCRIPTION: SprintIR®-R..... 5

PACKAGE DRAWING: SprintIR®-R-M WITH MEMBRANE COVER..... 6

PIN-OUT DESCRIPTION: SprintIR®-R..... 6

ABSOLUTE MAXIMUM RATINGS..... 7

RECOMMENDED OPERATING CONDITIONS..... 7

MECHANICAL SEALING – For Sensors with Flow Port Adaptor Only..... 7

CO₂ PERFORMANCE CHARACTERISTICS..... 8

ELECTRICAL CHARACTERISTICS..... 9

POWER CONSUMPTION - SprintIR®-R..... 9

RESPONSE TIME, FLOW RATE AND MEASUREMENT RATE - SprintIR®-R..... 10

 Measurement Rate..... 10

 Gas Exchange Rate..... 10

 Digital Filter Setting..... 10

METHOD OF OPERATION..... 11

MODE 0 COMMAND MODE..... 11

MODE 1 STREAMING MODE..... 11

MODE 2 POLLING MODE..... 11

ZERO POINT SETTING..... 14

ZERO IN A KNOWN GAS CONCENTRATION..... 14

ZERO IN NITROGEN..... 14

ZERO IN FRESH AIR..... 14

ZERO POINT ADJUSTMENT..... 15

AUTO-ZERO FUNCTION..... 15

AUTO-ZEROING INTERVALS..... 15

AUTO-ZERO SETTINGS..... 15

PRESSURE AND CONCENTRATION LEVEL COMPENSATION..... 16

ALTITUDE COMPENSATION TABLE..... 16

CONTROL INTERFACE..... 18

CONTROL INTERFACE TIMING - UART MODE..... 18

UART COMMAND PROTOCOL..... 18

UART OPERATION..... 18

UART INTERFACE SUMMARY..... 19

CO₂ LEVEL MEASUREMENT VALUE - Z INFORMATION (0x5A)..... 21

CO₂ LEVEL MEASUREMENT VALUE - z INFORMATION (0x7A)..... 21

 ‘.’ COMMAND (0x2E)..... 21

K COMMAND..... 22

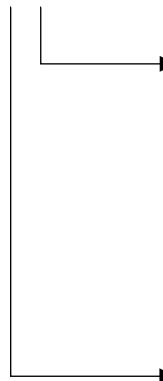
Very High-Speed CO₂ Sensor

| | |
|---|----|
| K COMMAND (0x4B) | 22 |
| DIGITAL FILTER COMMANDS | 23 |
| A COMMAND (0x41) | 23 |
| a COMMAND (0x61)..... | 23 |
| ZERO POINT SETTING COMMANDS | 24 |
| F COMMAND (0x46)..... | 24 |
| G COMMAND (0x47) | 25 |
| U COMMAND (0x55) | 25 |
| u COMMAND (0x75) | 25 |
| X COMMAND (0x58) | 25 |
| P COMMAND - CO ₂ Level for Auto-zeroing..... | 25 |
| P COMMAND – CO ₂ Level for Zero-Point Setting..... | 26 |
| AUTO-ZEROING INTERVALS | 27 |
| @ COMMAND (0x2E) | 27 |
| PRESSURE AND CONCENTRATION COMPENSATION | 28 |
| S COMMAND (0x53)..... | 28 |
| s COMMAND (0x73)..... | 28 |
| MEASUREMENT DATA OUTPUTS | 29 |
| M COMMAND | 30 |
| Q COMMAND..... | 30 |
| SERIAL NUMBER AND FIRMWARE VERSION | 30 |
| Y COMMAND (0x59)..... | 30 |
| CONNECTION DIAGRAM FOR UART INTERFACE | 31 |
| IMPORTANT NOTICE | 32 |
| ADDRESS | 32 |

Very High-Speed CO₂ Sensor

ORDERING INFORMATION

SPRINTIR-R-X-X



| X | Measurement Range |
|-----|-------------------|
| 5 | 0-5% |
| 10 | 0-10% |
| 20 | 0-20% |
| 60 | 0-60% |
| 100 | 0-100% |

| X | Gas Cover |
|-------|----------------------------------|
| Blank | Flow through adaptor as standard |
| M | Membrane instead of flow adaptor |

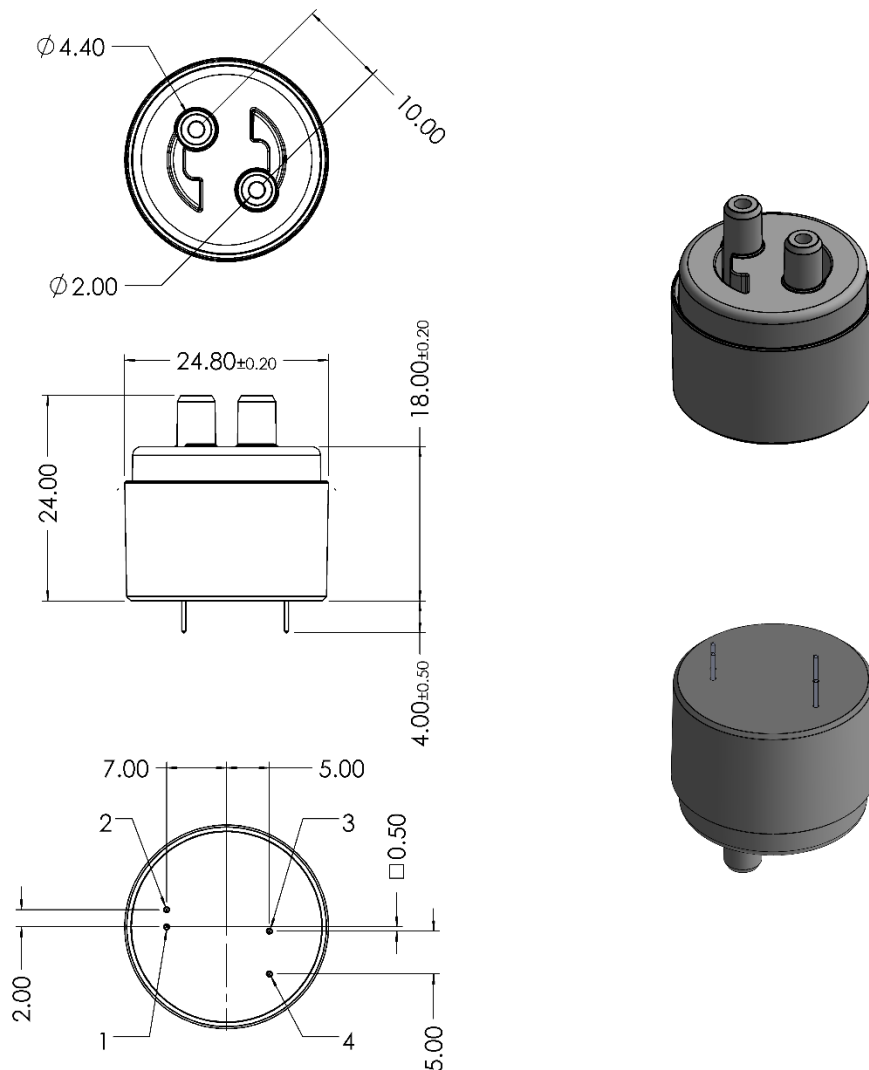
Notes:

1. Sensors are shipped individually
2. Custom flow through adaptors are available, contact GSS for options

See separate data sheet for SprintIR®-R evaluation kit options.

Very High-Speed CO₂ Sensor

PACKAGE DRAWING: SprintIR®-R WITH FLOW PORT ADAPTOR



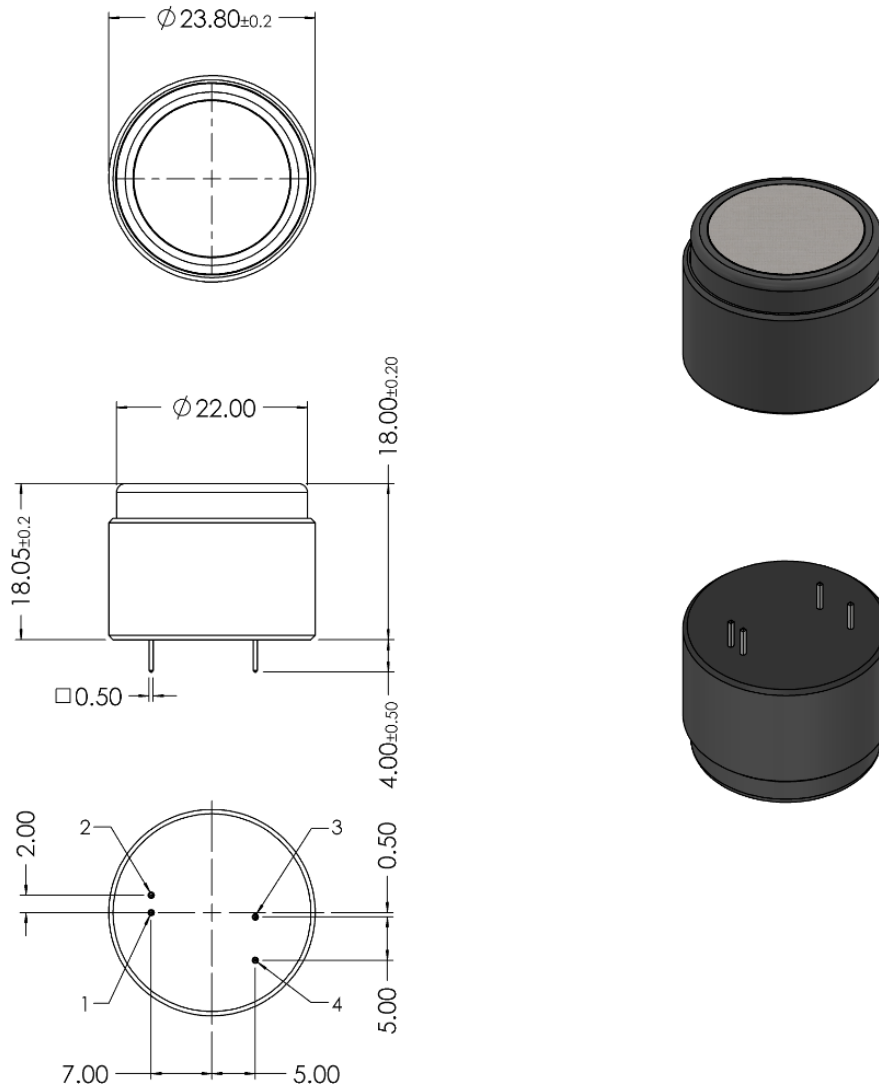
Weight = ~5g

PIN-OUT DESCRIPTION: SprintIR®-R

| PIN | NAME | TYPE | DESCRIPTION |
|-----|--------|----------------|-----------------------|
| 1 | Rx_In | Digital Input | UART Receive Input |
| 2 | Tx_Out | Digital Output | UART Transmit Output |
| 3 | GND | Supply | Sensor ground |
| 4 | VDD | Supply | Sensor supply voltage |

Very High-Speed CO₂ Sensor

PACKAGE DRAWING: SprintIR®-R-M WITH MEMBRANE COVER



Weight = ~5g

PIN-OUT DESCRIPTION: SprintIR®-R

| PIN | NAME | TYPE | DESCRIPTION |
|-----|--------|----------------|-----------------------|
| 1 | Rx_In | Digital Input | UART Receive Input |
| 2 | Tx_Out | Digital Output | UART Transmit Output |
| 3 | GND | Supply | Sensor ground |
| 4 | VDD | Supply | Sensor supply voltage |

Very High-Speed CO₂ Sensor

ABSOLUTE MAXIMUM RATINGS

Absolute Maximum Ratings are stress ratings only. Permanent damage to the SprintIR®-R may be caused by continuously operating at or beyond these limits. The SprintIR®-R functional operating limits and guaranteed performance specifications are given at the test conditions specified.



ESD Sensitive Device. This sensor uses ESD sensitive components. It is therefore generically susceptible to damage from excessive static voltages. Proper ESD precautions must be taken during handling and storage of this device.

| CONDITION | MIN | MAX |
|---|-----------|-------|
| Supply Voltages | -0.3V | +6.0V |
| Voltage Range Digital Inputs | GND -0.3V | 5V |
| Operating Temperature Range (T _a) - Standard | 0°C | +50°C |
| Storage Temperature Range | -40°C | +70°C |
| Humidity Range (RH). Non-Condensing | 0 | 95% |
| Operating Ambient Pressure Range | 500mbar | 2bar |

RECOMMENDED OPERATING CONDITIONS

| PARAMETER | SYMBOL | MIN | TYP | MAX | UNIT |
|-----------|--------|------|-----|-----|------|
| Supply | VDD | 3.25 | 3.3 | 5.5 | V |
| Ground | GND | | 0 | | V |

MECHANICAL SEALING – For Sensors with Flow Port Adaptor Only

| CONDITION | MIN | MAX |
|-------------------------------------|--------|-----|
| Working Gauge Pressure ¹ | 0.3bar | |
| Burst Gauge Pressure ² | 2bar | |

Test Conditions Unless Otherwise Specified

1. The mechanical sealing between the flow adaptor and sensor housing is tested by pressurising the gas chamber to 0.3bar. The pressure reading must not drop by more than 1mbar within 30 seconds
2. Guaranteed by design, not tested
3. Sensors with a membrane cover do not have an air-tight seal between the sensor casing and the main sensor body.

Very High-Speed CO₂ Sensor

CO₂ PERFORMANCE CHARACTERISTICS

Test Conditions Unless Otherwise Specified

VDD = 3.3V, GND = 0V, RH = 0% non-condensing, T= 25°C, Pressure = 1013mbar, Flow Rate = 0.2l/minute

| PARAMETER | SYMBOL | TEST CONDITIONS | MIN | TYP | MAX | UNIT |
|--|--------|--|-----|-------------------------------|---------------|------|
| CO ₂ measurement range | | | 0 | | 5 | % |
| | | | 0 | | 20 | % |
| | | | 0 | | 60 | % |
| | | | 0 | | 100 | % |
| Accuracy (0-5% sensor) | | @25°C, @ 2% CO ₂ | | | ±(70 +5%rdg) | ppm |
| Accuracy (0-10% sensor) | | @25°C, @ 9% CO ₂ | | | | |
| Accuracy (0-20% sensor) | | @25°C, @ 12% CO ₂ | | | | |
| Accuracy (0-60% sensor) | | @25°C, @ 20% CO ₂ | | | | |
| Accuracy (0-100% sensor) | | @25°C, @ 60% CO ₂ | | | ±(300 +5%rdg) | ppm |
| Accuracy (Peak-Peak) 0-60% | | @25°C | | ±(70 +5%rdg) | | ppm |
| | | 0°C to +50°C, after zero @25°C | | ±70 +5%rdg +~0.1%rdg per °C | | ppm |
| Accuracy (Peak-Peak) 0-100% | | @25°C | | ±(300 +5%) | | ppm |
| | | 0°C to +50°C, after zero @25°C | | ±300, +5%rdg +~0.1%rdg per °C | | ppm |
| CO ₂ RMS Noise | | Digital filter setting 16 | | 6 | | ppm |
| Time to Valid Measurement After Power-On | | First value from sensor | | 0.3 | | secs |
| Response Time | | T ₉₀ , no filter @ 0.1l/min | | 3.6 | | secs |
| | | T ₉₀ , filter = 16 @ 0.1l/min | | 4.0 | | |
| Repeatability | | @25°C, 0-60% | | ±(70 +5%rdg) | | ppm |
| | | @25°C, 0-100% | | ±(300 +5%rdg) | | ppm |
| Current Consumption | | Peak current when sampling | | 35 | | mA |
| | | Peak at turn-on | | 40 | | mA |
| | | SLEEP Mode (K 0 command) | | 0.01 | | mA |

Very High-Speed CO₂ Sensor

ELECTRICAL CHARACTERISTICS

| PARAMETER | SYMBOL | TEST CONDITIONS | MIN | TYP | MAX | UNIT |
|-----------------------------|--------|------------------------|-----|-----|-----|------|
| Digital Input/Output | | | | | | |
| Input HIGH Level | | | 1.8 | | | V |
| Input LOW Level | | | | | 1.0 | V |
| Output HIGH Level | | I _{OH} = +1mA | 2.6 | | 3.0 | V |
| Output LOW Level | | I _{OL} = -1mA | | | 0.4 | V |

POWER CONSUMPTION - SprintIR®-R

Test Conditions Unless Otherwise Specified

VDD = 3.3V, GND = 0V, RH = 0% non-condensing, T= 25°C, Pressure = 1013mbar, Flow Rate = 0.2l/minute

| SETTING | SYMBOL | TEST CONDITIONS | VDD | | Total Power |
|--|--------|------------------|-----|--------|-------------|
| | | | V | I (mA) | mW |
| Active, K0 SLEEP mode, no measurement | | | 3.3 | 0.01 | 0.03 |
| Active, K1 mode whilst taking measurements | | Default settings | 3.3 | 21 | 70 |

Very High-Speed CO₂ Sensor

RESPONSE TIME, FLOW RATE AND MEASUREMENT RATE - SprintIR®-R

The SprintIR®-R response time is dependent on several interrelated factors.

Measurement Rate

The measurement rate is fixed at 50 readings per second.

Gas Exchange Rate

The most important factor is the gas exchange rate. This is the amount of time it takes for the gas to enter the CO₂ measurement chamber, measured and then replaced. The sensor has a gas measurement chamber volume of approximately 2.8ml. As a general rule of thumb, to properly exchange the gas in the chamber, there needs to be a x5 volume of gas passed through the sensor. Therefore, approximately 14ml of gas needs to flow through the sensor for each reading.

$$\text{Max Flow Rate (l/min)} = \frac{50 \text{ reading/s} * 60\text{s} * 14\text{ml}}{1000}$$

Digital Filter Setting

The sensor outputs both filtered and raw unfiltered CO₂ readings. If the filtered measurement data is used, the read rate will also depend on the filter setting or the algorithm to process the raw data.

The table below shows how the response time varies with filter setting and flow rate.

| Gas delivery | Measurement frequency (Hz) | T ₅₀ Response time 0.1l/min | | T ₅₀ Response time 1l/min | |
|--------------|----------------------------|--|-----------|--------------------------------------|-----------|
| | | No filter | Filter 16 | No filter | Filter 16 |
| Flow Adaptor | 50 | 0.6s | 1.0s | 0.1s | 0.5s |

| Gas delivery | Measurement frequency (Hz) | T ₉₀ Response time 0.1l/min | | T ₉₀ Response time 1l/min | |
|--------------|----------------------------|--|-----------|--------------------------------------|-----------|
| | | No filter | Filter 16 | No filter | Filter 16 |
| Flow Adaptor | 50 | 3.6s | 4.0s | 0.2s | 1.1s |

Very High-Speed CO₂ Sensor

METHOD OF OPERATION

After power is applied to the SprintIR®-R, the sensor will automatically start to take CO₂ measurements using the Mode 1 default settings, where the sensor is pre-programmed to send CO₂ measurement data at 50 readings per second. The measurement rate is fixed at 50 readings per second at 38,400 baud rate. The sensor will return the previous CO₂ measurement results if the user requests more frequent measurements.

The SprintIR®-R has 3 potential modes of operation.

MODE 0 COMMAND MODE

In this mode, the sensor is in a SLEEP mode, waiting for commands. No measurements are made. There is no latency in command responses. All commands that report measurements or alter the zero-point settings are disabled in Mode 0. Mode 0 is NOT retained after power cycling.

MODE 1 STREAMING MODE

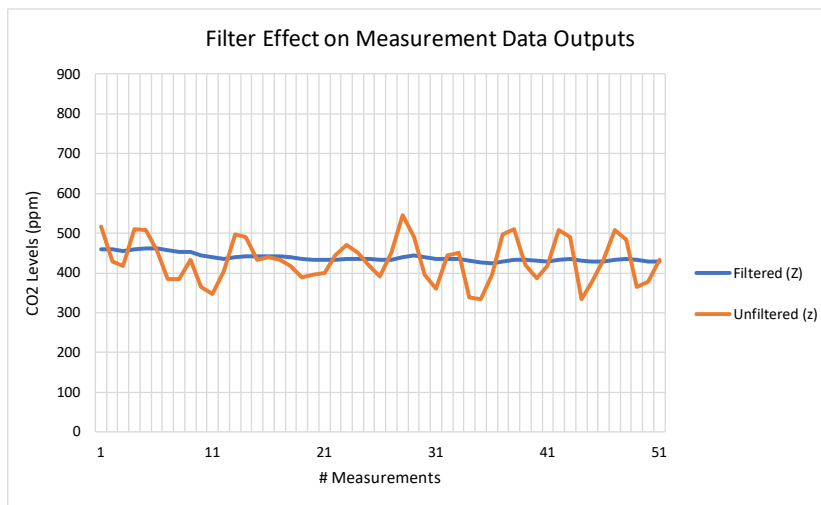
This is the factory default setting. Measurements are reported 50 per second. Commands are processed when received, except during measurement activity, so there may be a time delay of up to 10ms in responding to commands.

MODE 2 POLLING MODE

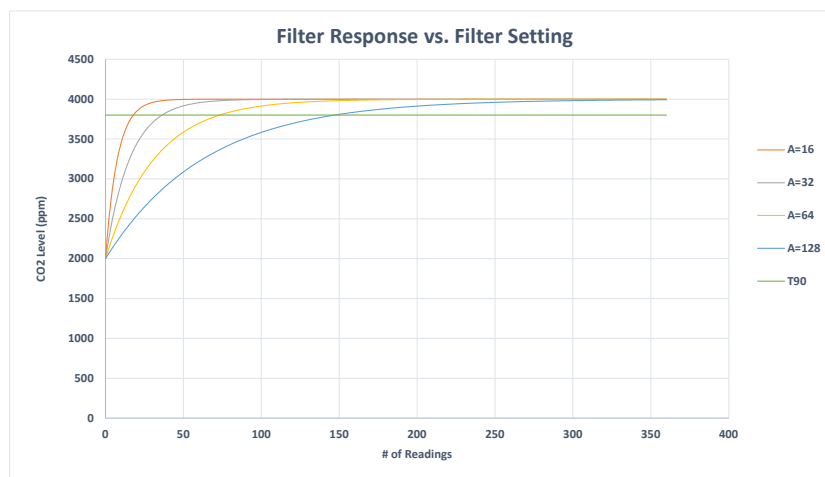
In polling mode, the sensor only reports readings when requested. The sensor will continue to take measurements in the background, but the output stream is suppressed until data is requested. The sensor will always power up in streaming or polling mode, whichever mode was used before the power cycle.

Very High-Speed CO₂ Sensor

The CO₂ gas chamber is illuminated with a nominal 4.25um wavelength LED and the signal received using a photo-diode. The signal from the photo-diode is processed and filtered by the sensor to remove noise and provide an accurate CO₂ reading. High frequency noise coming from the sampling process is removed using a proprietary lowpass filter. The digital filter setting can be varied, allowing the user to reduce measurement noise at the expense of the measurement response time. The ideal digital filter setting is application specific and is normally a balance between CO₂ reading accuracy and response time. The SprintIR®-R sensor will also output the raw unfiltered CO₂ measurement data. This data can be post processed using alternative filter algorithms.



The graph above shows the effects of the filter on the CO₂ measurement data (Z or z). The unfiltered output is shown in orange and the filtered output shown in blue.



The graph above shows the effect of the filter on response times. Increasing the filter setting increases the measurement output response time. T₉₀ is the time to 90% of reading. The SprintIR®-R takes 50 readings per second. The flow rate was set at 0.2l/min.

Very High-Speed CO₂ Sensor

Sampling noise is progressively reduced with higher digital filter settings. It is recommended the user sets the highest value digital filter setting without compromising the required flow rate.

| Flow Rate | Recommended Digital Filter Setting 'a' |
|-----------------|--|
| 0.1litre/minute | 128 |
| 0.5litre/minute | 64 |
| 1litre/minute | 32 |
| 5litre/minute | 16 |

Very High-Speed CO₂ Sensor

ZERO POINT SETTING

There are a several methods available to the user to set the zero point of the sensor. The recommended user method is zero-point setting in a known gas concentration. In all cases, the best zero is obtained when the gas concentration is stable, and the sensor is at a stabilised temperature.

Note that zero-point settings are not cumulative and only the latest zero-point is effective. For example, there is no benefit in zeroing in nitrogen, and then zeroing in a calibration gas. The sensor will store only the latest zero point.

To improve zeroing accuracy, the recommended digital filter setting is 32. See the 'A' command.

ZERO IN A KNOWN GAS CONCENTRATION

Place the sensor in a known gas concentration, power up the sensor and allow time for the sensor temperature to stabilise, and for the gas to be fully diffused into the sensor.

Send the **ZERO IN A KNOWN GAS CONCENTRATION** command X to the sensor. The sensor will be zeroed using the known gas concentration level sent by the user. The concentration value written to the sensor must be scaled dependent on the sensor CO₂ measurement range. The multiplier for the scaling factor is set according to the range of the sensor, see the '.' command.

ZERO IN NITROGEN

Place the sensor in nitrogen gas and allow time for the sensor temperature to stabilise and the gas to be fully diffused into the sensor. Send the **ZERO IN NITROGEN** command U to the sensor. The sensor is zeroed assuming a 0ppm CO₂ environment.

ZERO IN FRESH AIR

If there is no calibration gas or nitrogen available, the sensor zero point can be set in fresh air. Ambient CO₂ concentrations in fresh air are typically 400ppm. The CO₂ concentration fresh air zero level is programmable over a range from 0ppm to the full scale of the sensor.

Place the sensor in a fresh air environment and allow time for the sensor temperature to stabilise, and for the fresh air to be fully diffused into the sensor. Power up the sensor, write the G command to the sensor. The concentration value written to the sensor must be scaled dependent on the sensor CO₂ measurement range. The sensor can use the default fresh air CO₂ concentration value (400ppm), or the user can write a different fresh air value to the sensor if desired.

Very High-Speed CO₂ Sensor

ZERO POINT ADJUSTMENT

If the CO₂ concentration and the sensor reported concentration are known, the zero point can be adjusted using the known concentration to fine tune the zero point. For example, if the sensor has been in an environment that has been exposed to outside air, and the sensor reading is known at that time, the zero point can be fine-tuned to correct the reading. This is typically used to implement automated zeroing routines.

The known CO₂ concentration value and the reported CO₂ value from the sensor can be sent to the sensor using the **ZERO POINT ADJUSTMENT** command F.

AUTO-ZERO FUNCTION

The sensor has a built-in auto-zero function. In order to function correctly, the sensor must be exposed to typical background levels (400-450ppm) at least once during the auto-zero period. For example, many buildings will drop quickly to background CO₂ levels when unoccupied overnight or at weekends. The auto-zero function uses the information gathered during these periods to re-zero. The sensor will reset the 'zero' level every time it does an auto-zero.

Auto-zero is disabled by default. If the sensor is powered down, the auto-zero timer is reset.

The auto-zero function works in the same way as the **ZERO IN FRESH AIR** command. Auto-zero is disabled by default, but can be enabled to operate automatically, or zeroing can be forced. The user can also independently adjust the CO₂ level used for auto-zeroing. Typically, it is set to the same value as the **ZERO IN FRESH AIR** value, but it can also be set at a different level if desired.

AUTO-ZEROING INTERVALS

The auto-zero period can be programmed by the user. The sensor can be programmed to undertake an initial auto-zero after power-on. Thereafter, the auto-zero period can be set independently of the start-up auto-zero time. Note, the zero settings are reset if the sensor is powered down.

AUTO-ZERO SETTINGS

By default, the sensor will automatically 'zero' using the measured CO₂ level sampled during the auto-zeroing period. The user can alter the behaviour of the sensor as a result of the auto-zeroing process.

Very High-Speed CO₂ Sensor

PRESSURE AND CONCENTRATION LEVEL COMPENSATION

NDIR gas sensors detect the concentration of gas by measuring the degree of light absorption by the gas analyte. The degree of light absorption is converted into a concentration reported by the sensor.

The absorption process is pressure and gas concentration dependent. In general, as the pressure increases, the reported gas concentration also increases. As the pressure decreases, the reported concentration decreases. This effect takes place at a molecular level and is common to all NDIR gas sensors.

GSS sensors are calibrated at 1013mbar and 450ppm CO₂. The reading will vary due to pressure and CO₂ concentration. It is possible to correct for the effects of pressure and concentration by setting a compensation value. This will apply a permanent correction to the output of the sensor, depending on the compensation value. The compensation value needs to be written to the sensor and will overwrite the default 1013mbar and 450ppm CO₂ value. The new compensation value will be used for all subsequent measurements and will be retained after a power cycle.

ALTITUDE COMPENSATION TABLE

| Altitude (ft.) | Altitude (m) | Pressure (mbar) | Sea Level Difference | % Change per | CO ₂ Measurement Change (%) | Compensation Value |
|----------------|--------------|-----------------|----------------------|--------------|--|--------------------|
| 0 | 0 | 1,013 | 0 | 0.14 | 0 | 8,192 |
| 500 | 153 | 995 | 18 | 0.14 | 3 | 8,398 |
| 1,000 | 305 | 977 | 36 | 0.14 | 5 | 8,605 |
| 1,500 | 458 | 960 | 53 | 0.14 | 7 | 8,800 |
| 2,000 | 610 | 942 | 71 | 0.14 | 10 | 9,006 |
| 2,500 | 763 | 925 | 88 | 0.14 | 12 | 9,201 |
| 3,000 | 915 | 908 | 105 | 0.14 | 15 | 9,396 |
| 3,500 | 1,068 | 891 | 122 | 0.14 | 17 | 9,591 |
| 4,000 | 1,220 | 875 | 138 | 0.14 | 19 | 9,775 |
| 4,500 | 1,373 | 859 | 154 | 0.14 | 22 | 9,958 |
| 5,000 | 1,525 | 843 | 170 | 0.14 | 24 | 10,142 |
| 6,000 | 1,830 | 812 | 201 | 0.14 | 28 | 10,497 |
| 7,000 | 2,135 | 782 | 231 | 0.14 | 32 | 10,841 |
| 8,000 | 2,440 | 753 | 260 | 0.14 | 36 | 11,174 |
| 9,000 | 2,745 | 724 | 289 | 0.14 | 40 | 11,506 |
| 10,000 | 3,050 | 697 | 316 | 0.14 | 44 | 11,816 |

Other compensation values can be calculated using the following formula.

$$\text{Compensation Value} = 8192 + \left(\frac{\text{Sea Level Difference} * 0.14}{100} \right) * 8192$$

Very High-Speed CO₂ Sensor

The pressure compensation values calculated above are only approximate and only valid for concentrations below 1%. For higher accuracy compensation, the sensor output must be adjusted for both pressure and concentration as the CO₂ level measured by the sensor is affected by both ambient pressure and gas concentration levels. To calculate the adjusted CO₂ level, use the following calculation.

$$\text{Corrected CO}_2 \text{ Value} = \frac{\text{CO}_2 \text{ Measurement Value from Sensor } (C1)}{1 + Y(1013 - P)}$$

where,

C1 = Concentration reading from sensor

P = Pressure in mbar

Where concentration is < 1500ppm.

$$Y = 2.6661 \times 10^{-16} x C1^4 - 1.1146 \times 10^{-12} x C1^3 + 1.7397 \times 10^{-9} x C1^2 - 1.2556 \times 10^{-6} x C1 - 9.8754 \times 10^{-4}$$

Where concentration is >1500ppm.

$$Y = 2.811 \times 10^{-38} x C1^6 - 9.817 \times 10^{-32} x C1^5 + 1.304 \times 10^{-25} x C1^4 - 8.126 \times 10^{-20} x C1^3 + 2.311 \times 10^{-14} x C1^2 - 2.195 \times 10^{-9} x C1 - 1.471 \times 10^{-3}$$

Very High-Speed CO₂ Sensor

CONTROL INTERFACE

The SprintIR® family of sensors are controlled by writing and reading from the sensor via its UART interface. The Rx_In and Tx_Out pins are normally high, suitable for direct connection to a UART. If the sensor is to be read by a true RS232 device (e.g. a PC), it is necessary to pass through a level converter to step up/down the voltage and invert the signal.

CONTROL INTERFACE TIMING - UART MODE

| PARAMETER | SYMBOL | MIN | TYP | MAX | UNIT |
|-----------------------|--------|-----|--------|-----|--------|
| Baud Rate | | | 38,400 | | Bits/s |
| Data Bits | | | 8 | | |
| Parity | | | None | | |
| Stop Bits | | | 1 | | |
| Hardware Flow Control | | | None | | |

UART COMMAND PROTOCOL

All UART commands must be terminated with a carriage return and line feed <CR><LF>, hex 0x0D 0x0A. In this document, this is shown as '\r\n'. UART commands that take a parameter always have a space between the letter and the parameter. The sensor will respond with a '?' if a command is not recognised. The two most common causes are missing spaces or missing <CR><LF> terminators.

All command communications are in ASCII and are terminated by carriage return, line feed (0x0D 0x0A). This document uses the protocol "\r\n" to indicate the carriage return line feed. All responses from the sensor, including measurements, have a leading space (ASCII character 32).

The character '#' represents an ASCII representation of a numeric character (0-9). Note there is a space between the first letter and any parameter. For example, the X command reads "X space 2000 carriage return line feed".

UART OPERATION

When initially powered, the sensor will immediately start to transmit a CO₂ reading on receiving any character.

The CO₂ measurement is reported as:

Z #####\r\n

where Z ##### shows the CO₂ concentration.

Note that all outputs from the sensor have a leading space.

Very High-Speed CO₂ Sensor

UART INTERFACE SUMMARY

| Syntax | Use | Example | Response | Comments |
|----------------------------|--|----------------------------|--|--|
| A ###\r\n | Set value of the digital filter | A 128\r\n | A 00128\r\n | See "Digital Filter" |
| a\r\n | Return the value of the digital filter | a\r\n | a 00128\r\n | See "Digital Filter" |
| F #####\r\n | Fine Tune the zero point | F 410 400\r\n | F 33000\r\n | See "Zero Point Setting" |
| G\r\n | Zero-point setting using fresh air | G\r\n | G 33000\r\n | See "Zero Point Setting" |
| K #\r\n | Switches the sensor between different modes | K 1\r\n | K 00001\r\n | |
| M #####\r\n | Sets the number of measurement data types output by the sensor | M 6\r\n | M 00006\r\n | See "Measurement Data Output" |
| P 8 ###\r\n P 9 #\r\n | Sets value of CO ₂ background concentration in ppm for auto-zeroing | P 8 1\r\n P 9 144\r\n | P 00008 00001\r\n P 00009 00144\r\n | Two byte value, P 8 = MSB P 9 = LSB 400ppm in the example |
| P 10 ###\r\n P 11 #\r\n | Sets value of CO ₂ background concentration in ppm used for zero- point setting in fresh air. | P 10 1\r\n P 11 144\r\n | P 00010 00001\r\n P 00011 00144\r\n | Two byte value, P 10 = MSB P 11 = LSB 400ppm in the example |
| Q\r\n | Reports the latest measurement data types, as defined by 'M' | Q\r\n | H 12345 T 12345 Z 00010\r\n | |
| S #####\r\n | Sets the pressure and concentration compensation value | S 8192\r\n | S 08192\r\n | See "Pressure and Concentration Compensation" |
| s\r\n | Returns the pressure and concentration compensation value | s\r\n | s 08192\r\n | See "Pressure and Concentration Compensation" |
| U\r\n | Zero-point setting using nitrogen | U\r\n | U 33000\r\n | See "Zero Point Setting" |
| u #####\r\n | Manual setting of the zero point. | u 32997\r\n | u 32997\r\n | See "Zero Point Setting" |
| X #####\r\n | Zero-point setting using a known gas calibration | X 2000\r\n | X 32997\r\n | See "Zero Point Setting" |
| Y\r\n | Return firmware version and sensor serial number | Y\r\n | Returns <u>two</u> lines | |
| Z\r\n | Return the most recent filtered CO ₂ measurement in ppm | Z\r\n | Z 01521\r\n | |

Very High-Speed CO₂ Sensor

| Syntax | Use | Example | Response | Comments |
|---------------|--|---------------|---------------|---------------------------------------|
| z\r\n | Return the most recent unfiltered CO ₂ measurement in ppm | z\r\n | Z 01521\r\n | |
| @ #.#.#.#\r\n | Sets the timing for initial and interval auto-zeroing periods | @ 1.0 8.0\r\n | @ 1.0 8.0\r\n | See “Auto-zeroing” for details |
| @\r\n | Returns the auto-zeroing configuration | @ 1.0 8.0\r\n | @ 1.0 8.0\r\n | See “Auto-zeroing” for details |
| @ 0\r\n | Switch Auto-zeroing on or off | @ 0\r\n | @ 0\r\n | See “Auto-zeroing” for details |
| .\r\n | Returns the scaling factor multiplier required to convert the Z or z output to ppm | .\r\n | . 00010\r\n | Multiply by 10 in the example |

Very High-Speed CO₂ Sensor

CO₂ LEVEL MEASUREMENT VALUE - Z INFORMATION (0x5A)

| | |
|--------------------|---|
| Description | Reports the latest filtered CO ₂ measurement |
| Syntax | ASCII Character 'Z', terminated by 0x0D 0x0A (CR & LF) |
| Example | Z\r\n |
| Response | Z 00521\r\n |

This value needs to be multiplied by the appropriate scaling factor to derive the ppm value. See the '.' command.

CO₂ LEVEL MEASUREMENT VALUE - z INFORMATION (0x7A)

The sensor is also capable of reporting the real time unfiltered CO₂ measurement value.

| | |
|--------------------|--|
| Description | Reports the unfiltered CO ₂ measurement |
| Syntax | ASCII Character 'z', terminated by 0x0D 0x0A (CR & LF) |
| Example | z\r\n |
| Response | z 00521\r\n |

'.' COMMAND (0x2E)

To calculate the measurement value in ppm, the 'Z' or 'z' value, they must be converted into ppm by using the '.' multiplier factor. This multiplier will depend on the full-scale measurement range of the sensor. The multiplier is related to the full-scale range of the sensor.

The multiplier must also be used when sending CO₂ concentration levels to the sensor, for example when setting the fresh air CO₂ concentration value. The '.' Command can also be used to read back the scaling factor.

For example, if the user wants to zero the sensor in a known concentration of gas (e.g. 450ppm), the value written to the sensor must be 450/scaling factor.

| | |
|--------------------|---|
| Description | Returns a number indicating what multiplier must be applied to the Z CO ₂ 2 measurement output to convert it into ppm. |
| Syntax | ASCII character '.', terminated by 0x0D 0x0A (CR & LF) |
| Example | .\r\n |
| Response | . 00010\r\n (this number is variable, usually 10) |

| Measurement Range of Sensor | CO ₂ Measurement Scaling Factor (Z) | CO ₂ Measurement Output Units | Example |
|-----------------------------|--|--|----------------------------|
| 0 – 60% | 10 | ppm/10 | Z 01200 = 12,000ppm = 1.2% |
| 0 – 100% | 100 | ppm/100 | Z 01500 = 150,000ppm = 15% |

Very High-Speed CO₂ Sensor

K COMMAND

The SprintIR®-R has 3 potential modes of operation, controlled by the K command.

| Mode | Value | Description | |
|--------|-------|----------------|---|
| Mode 0 | K=0 | Sleep Mode | Sensor is in a SLEEP mode, waiting for commands. No measurements are made. There is no latency in command responses. All commands that report measurements or alter the zero-point settings are disabled in Mode 0. Mode 0 is NOT retained after power cycling. |
| Mode 1 | K=1 | Streaming Mode | This is the factory default setting. Measurements are reported twice per second. Commands are processed when received, except during measurement activity, so there may be a time delay of up to 100ms in responding to commands. |
| Mode 2 | K=2 | Polling Mode | In polling mode, the sensor only reports readings when requested. The sensor will continue to take measurements in the background, but the output stream is suppressed until data is requested. The sensor will always power up in streaming or polling mode, whichever mode was used before the power cycle. |

| Command | Use | Default | Range | Example | Response | Comments |
|---------|---|---------|-------|---------|----------|-------------------------|
| K #\r\n | Switches the sensor between different control modes | 1 | | K 1\r\n | K 1\r\n | <i>See 'K' Commands</i> |

K COMMAND (0x4B)

| | | | |
|--------------------|--|--|--|
| Description | Sets the control interface mode | | |
| Syntax | ASCII character 'K', SPACE, mode number, terminated by 0x0D 0x0A (CR & LF) | | |
| Example | K 1\r\n | | |
| Response | K 00001\r\n (this number is variable) | | |

Very High-Speed CO₂ Sensor

DIGITAL FILTER COMMANDS

| Command | Use | Default | Range | Example | Response | Comments |
|-----------|---------------------------------|---------|-----------|----------|-------------|----------|
| A ###\r\n | Set value of the digital filter | 16 | 1 - 65635 | A 16\r\n | A 00016\r\n | |
| a\r\n | Return value of digital filter | | 1 - 65365 | a\r\n | a 00016\r\n | |

A COMMAND (0x41)

| | |
|--------------------|--|
| Description | Set the value for the digital filter |
| Syntax | ASCII character 'A', SPACE, decimal, terminated by 0x0D 0x0A (CR & LF) |
| Example | A 16\r\n |
| Response | A 00016\r\n (this number is variable) |

a COMMAND (0x61)

| | |
|--------------------|--|
| Description | Set the value for the digital filter |
| Syntax | ASCII character 'A', SPACE, decimal, terminated by 0x0D 0x0A (CR & LF) |
| Example | A 16\r\n |
| Response | A 00016\r\n (this number is variable) |

Very High-Speed CO₂ Sensor

ZERO POINT SETTING COMMANDS

| Command | Use | Default | Range | Example | Response | Comments |
|----------------------------|--|----------------------------|-----------------|------------------|-------------|--|
| F ##### #####\r\n | Fine Tune the zero point | | Range of sensor | F 410 400\r\n | F 33000\r\n | See "Zero Point Setting" |
| G\r\n | Zero-point setting using fresh air | | | G\r\n | G 33000\r\n | See "Zero Point Setting" |
| U\r\n | Zero-point setting using nitrogen | | | U\r\n | U 33000\r\n | See "Zero Point Setting" |
| u #####\r\n | Manual setting of the zero point | | | u 32997\r\n | u 32997\r\n | See "Zero Point Setting" |
| X #####\r\n | Zero-point setting using a known gas concentration | | Range of sensor | X 2000\r\n | X 32997\r\n | See "Zero Point Setting" |
| P 8 ###\r\n P 9 #\r\n | Sets value of CO ₂ background concentration in ppm for auto-zeroing | P 8 1\r\n P 9 144\r\n | | | | Two-byte value, P 8 = MSB P 9 = LSB 400ppm in the example |
| P 10 ###\r\n P 11 #\r\n | Sets value of CO ₂ background concentration in ppm used for zero- point setting in fresh air. | P 10 1\r\n P 11 144\r\n | | | | Two-byte value, P 10 = MSB P 11 = LSB 400ppm in the example |

F COMMAND (0x46)

| | |
|--------------------|--|
| Description | Sets the zero-point using a known reading and a known CO ₂ concentration terminated by 0x0D 0x0A (CR & LF) |
| Syntax | ASCII character 'F', SPACE, then the reported gas concentration, SPACE, then the actual gas concentration, terminated by 0x0D 0x0A (CR & LF) |
| Example | F 41 39\r\n |
| Response | F 33000\r\n (the numbers are variable) |

Very High-Speed CO₂ Sensor

G COMMAND (0x47)

| | |
|--------------------|---|
| Description | Sets the zero point assuming the sensor is in fresh air (typically 400ppm CO ₂ , but level can be set by user – see P commands.) |
| Syntax | ASCII character 'G' terminated by 0x0D 0x0A (CR & LF) |
| Example | G\r\n |
| Response | G 33000\r\n (the number is variable) |

U COMMAND (0x55)

| | |
|--------------------|--|
| Description | Sets the zero point assuming the sensor is in 0ppm CO ₂ such as nitrogen. |
| Syntax | ASCII Character 'U' terminated by 0x0D 0x0A (CR & LF) |
| Example | U\r\n |
| Response | U 32767\r\n (the number is variable) |

u COMMAND (0x75)

| | |
|--------------------|--|
| Description | Forces a specific zero set point value. Input value is scaled by CO ₂ value multiplier, see '.' command. |
| Syntax | ASCII character 'u', SPACE, then the gas concentration, terminated by 0x0D 0x0A (CR & LF) |
| Example | u 32767\r\n |
| Response | u 32767\r\n |

X COMMAND (0x58)

| | |
|--------------------|---|
| Description | Sets the zero point with the sensor in a known concentration of CO ₂ . Input value is scaled by CO ₂ value multiplier, see '.' command. |
| Syntax | ASCII character 'X', SPACE, then the gas concentration, terminated by 0x0D 0x0A (CR & LF) |
| Example | X 1000\r\n |
| Response | X 33000\r\n (the number is variable). |

P COMMAND - CO₂ Level for Auto-zeroing

| | |
|--------------------|---|
| Description | Sets the value of CO ₂ in ppm used for auto-zeroing. Input value is scaled by CO ₂ value multiplier, see '.' command. |
| Syntax | ASCII character 'P', SPACE, then 8, SPACE, then MSB terminated by 0x0D 0x0A (CR & LF) ASCII character 'P' then a space, then 9, then a space, then LSB terminated by 0x0D 0x0A (CR & LF) |
| Example | P 8 0\r\n P 9 40\r\n |
| Response | P 00008 00000\r\n P 00009 00040\r\n |

Very High-Speed CO₂ Sensor

The value is entered as a two-byte word, MSB first.

MSB = Integer (Concentration/256)

LSB = Concentration – (256*MSB)

In the above example, target CO₂ background concentration is 400ppm.

MSB = Integer (400/256) = 1

LSB = 400 – 256 = 144

P COMMAND – CO₂ Level for Zero-Point Setting

| | |
|--------------------|--|
| Description | Sets value of CO ₂ in ppm for zero-point setting in fresh air. Input value is scaled by CO ₂ value multiplier, see '.' command. |
| Syntax | ASCII character 'P', SPACE, then 10, SPACE, then MSB terminated by 0x0D 0x0A (CR & LF) ASCII character 'P', SPACE, then 11, SPACE, then LSB terminated by 0x0D 0x0A (CR & LF) |
| Example | P 10 7\r\n P 11 208\r\n |
| Response | P 00010 00007\r\n P 00011 00208\r\n |

MSB = Integer (Concentration/256)

LSB = Concentration – (256*MSB)

In the above example, target zero-point CO₂ concentration is 2000ppm.

MSB = Integer (2000/256) = 7

LSB = 2000 – (256*MSB) = 208

Very High-Speed CO₂ Sensor

AUTO-ZEROING INTERVALS

| UART Command | Use | Default | Range | Example | Response | Comments |
|---------------|--------------------------------|---------|-------|---------------|---------------|--------------------------------|
| @ #.# #.#\r\n | Auto-zeroing interval settings | | | @ 1.0 8.0\r\n | @ 1.0 8.0\r\n | See "Auto-zeroing" for details |

@ COMMAND (0x2E)

| | |
|--------------------|---|
| Description | Set the 'Initial Interval' and 'Regular Interval' for auto-zeroing events. |
| Syntax | ASCII character '@', SPACE, decimal, SPACE, decimal terminated by 0x0D 0x0A (CR & LF) |
| Example | @ 1.0 8.0\r\n |
| Response | @ 1.0 8.0\r\n (the number mirrors the input value) |

Both the initial interval and regular interval are given in days. Both must be entered with a decimal point and one figure after the decimal point. In the above example, the auto-zero interval is set to 8 days, and the initial interval set to 1 day.

- On this sensor type, auto-zero is disabled by default.
- To enable auto-zero, send interval as required @ 1.0 8.0\r\n
- To disable auto-zero, send @ 0\r\n
- To determine the auto-zero configuration, send @\r\n

Very High-Speed CO₂ Sensor

PRESSURE AND CONCENTRATION COMPENSATION

| UART Command | Use | Default | Range | Example | Response | Comments |
|--------------|---|---------|---------|------------|-------------|--|
| S #####\r\n | Sets the pressure and concentration compensation value | 8192 | 0-65536 | S 8192\r\n | S 08192\r\n | See <i>"Pressure and Concentration Compensation"</i> |
| s\r\n | Returns the pressure and concentration compensation value | | | s\r\n | s 08192\r\n | See <i>"Pressure and Concentration Compensation"</i> |

S COMMAND (0x53)

| | |
|--------------------|--|
| Description | Set the 'Pressure and Concentration Compensation' value |
| Syntax | ASCII character 'S', SPACE, decimal, terminated by 0x0D 0x0A (CR & LF) |
| Example | S 8192\r\n |
| Response | S 08192\r\n (the number mirrors the input value) |

s COMMAND (0x73)

| | |
|--------------------|--|
| Description | Reports the 'Pressure and Concentration Compensation' value. |
| Syntax | ASCII Character 's', terminated by 0x0D 0x0A (CR & LF) |
| Example | s\r\n |
| Response | s 08192\r\n |

Very High-Speed CO₂ Sensor

MEASUREMENT DATA OUTPUTS

The sensor can send multiple fields of data as a single string. Up to five data fields can be transmitted, programmable by the user. The number of fields and the type of data to be transmitted is defined by the “Mask Value” setting.

The output data format is as follows. Each field is identified by the Data Field Identifier character, followed by a space, followed by the five-digit number indicating the value of the parameter.

| Data Parameter | Data Field Identifier | Mask Value | Description |
|-------------------------------------|-----------------------|------------|--|
| D digitally filtered | d | 2048 | Reports a value related to the normalized LED signal strength (smoothed) |
| D unfiltered | D | 1024 | Reports a value related to the normalized LED signal strength |
| Zero Set Point | h | 256 | Reports a value related to the normalized LED signal strength |
| Sensor Temperature (unfiltered) | V | 128 | Reports a value that varies inversely with the sensor temperature. |
| LED Signal (digitally filtered) | o | 32 | Reports a value that gives an indication of the LED signal strength (smoothed) |
| LED Signal (unfiltered) | O | 16 | Reports a value that gives an indication of the LED signal strength. |
| Sensor Temperature (filtered) | v | 8 | Reports a value that varies inversely with the sensor temperature. (smoothed) |
| CO ₂ Output (Filtered) | Z | 4 | Filtered CO ₂ reading |
| CO ₂ Output (Unfiltered) | z | 2 | Raw CO ₂ reading, unfiltered |

| UART Command | Use | Default | Range | Example | Response | Comments |
|--------------|---|-------------|-------|---------------------|-------------|--|
| M #####\r\n | Sets the number of measurement data types output by the sensor. ##### is the mask value | M 00006\r\n | | See “Output Fields” | M #####\r\n | Sets the number of measurement data types output by the sensor |

The required mask value is the sum of the ‘Mask Value’ for each field required. To output filtered and unfiltered CO₂ data, set M=6. Due to the sensor speed, no more than two output fields should be selected.

Very High-Speed CO₂ Sensor

M COMMAND

| | |
|--------------------|---|
| Description | Sets the type and number of data outputs |
| Syntax | ASCII character 'M', SPACE, up to 5 digit number, terminated by 0x0D 0x0A (CR & LF) |
| Example | M 00006\r\n |
| Response | M 00006\r\n |

Q COMMAND

| | |
|--------------------|--|
| Description | Reports the latest output data fields, defined by 'M' |
| Syntax | ASCII character 'Q', terminated by 0x0D 0x0A (CR & LF) |
| Example | Q\r\n |
| Response | Z 00010\r\n |

SERIAL NUMBER AND FIRMWARE VERSION

| UART Command | Use | Default | Range | Example | Response | Comments |
|--------------|--|---------|-------|---------|--------------------------|----------|
| Y\r\n | Return firmware version and sensor serial number | | | Y\r\n | Returns <u>two</u> lines | |

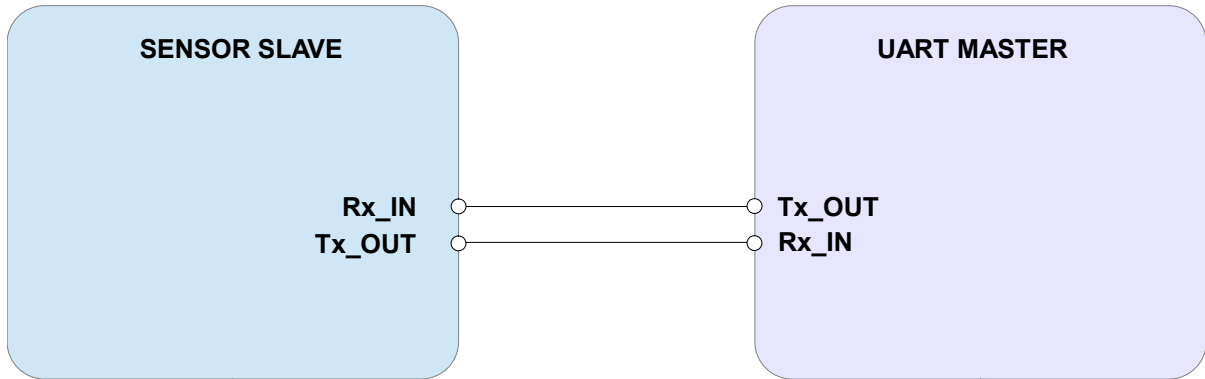
Y COMMAND (0x59)

| | |
|--------------------|---|
| Description | The present version string for the firmware and serial number of the sensor. |
| Syntax | ASCII character 'Y', terminated by 0x0d 0x0a (CR & LF) |
| Example | Y\r\n |
| Response | Y, Aug 25 2021, 14:19:56, LP15132 B 528148 00000 Where; Aug 25 2021, 14:19:56 is the firmware compile date and time LP15132 is the firmware revision 528148 is the sensor ID |

N.B. This command returns two lines split by a carriage return line feed and terminated by a carriage return line feed. This command requires that the sensor has been stopped (see 'K' command).

Very High-Speed CO₂ Sensor

CONNECTION DIAGRAM FOR UART INTERFACE



Very High-Speed CO₂ Sensor

IMPORTANT NOTICE

Gas Sensing Solutions Ltd. (GSS) products and services are sold subject to GSS's terms and conditions of sale, delivery and payment supplied at the time of order acknowledgement. GSS warrants performance of its products to the specifications in effect at the date of shipment. GSS reserves the right to make changes to its products and specifications or to discontinue any product or service without notice.

Customers should therefore obtain the latest version of relevant information from GSS to verify that the information is current. Testing and other quality control techniques are utilised to the extent GSS deems necessary to support its warranty. Specific testing of all parameters of each device is not necessarily performed unless required by law or regulation. In order to minimise risks associated with customer applications, the customer must use adequate design and operating safeguards to minimise inherent or procedural hazards. GSS is not liable for applications assistance or customer product design. The customer is solely responsible for its selection and use of GSS products. GSS is not liable for such selection or use nor for use of any circuitry other than circuitry entirely embodied in a GSS product.

GSS products are not intended for use in life support systems, appliances, nuclear systems or systems where malfunction can reasonably be expected to result in personal injury, death or severe property or environmental damage. Any use of products by the customer for such purposes is at the customer's own risk.

GSS does not grant any licence (express or implied) under any patent right, copyright, mask work right or other intellectual property right of GSS covering or relating to any combination, machine, or process in which its products or services might be or are used. Any provision or publication of any third party's products or services does not constitute GSS's approval, licence, warranty or endorsement thereof. Any third party trademarks contained in this document belong to the respective third party owner.

Reproduction of information from GSS datasheets is permissible only if reproduction is without alteration and is accompanied by all associated copyright, proprietary and other notices (including this notice) and conditions. GSS is not liable for any unauthorised alteration of such information or for any reliance placed thereon.

Any representations made, warranties given, and/or liabilities accepted by any person which differ from those contained in this datasheet or in GSS's standard terms and conditions of sale, delivery and payment are made, given and/or accepted at that person's own risk. GSS is not liable for any such representations, warranties or liabilities or for any reliance placed thereon by any person.

ADDRESS

Gas Sensing Solutions Ltd.
Grayshill Road
Cumbernauld
G68 9HQ
United Kingdom

Very High-Speed CO₂ Sensor

REVISION HISTORY

| DATE | RELEASE | DESCRIPTION OF CHANGES | PAGES |
|------------|---------|---|-----------|
| 16/04/2020 | 4.0 | First revision | All |
| 29/04/2020 | 4.1 | Changed auto-zero explanation | All |
| 10/06/2020 | 4.2 | ABSOLUTE MAXIMUM RATINGS, MECHANICAL SEALING | P.7 |
| 21/07/2020 | 4.3 | PACKAGE DRAWING | P.5 |
| 21/09/2020 | 4.4 | Added 10% option | P.4, P.8 |
| 18/11/2020 | 4.5 | Absolute Maximum Ratings | P.7 |
| 19/01/2021 | 4.6 | '.' COMMAND (0x2E) | P.21 |
| 01/02/2021 | 4.7 | Absolute Maximum Ratings | P.7 |
| 21/06/2021 | 4.8 | Updated T90 response times | P.8, P.10 |
| 23/06/2021 | 4.9 | @ COMMAND UPDATE | P. 26 |
| 18/08/2021 | 4.10 | Added Data Field Update | P.28 |
| 27/09/2021 | 4.11 | Y Command | P. 29 |
| 08/12/2021 | 4.12 | Various minor corrections | All |