

New D1225R Series

『IP68』 『Low Noise』 『High Air Flow』

【Feature】

- IP68 waterproof
- DC Input 12 or 24V
- Low Noise 19.0~50.5dB
- High Air Flow 1.30~4.25m³/min

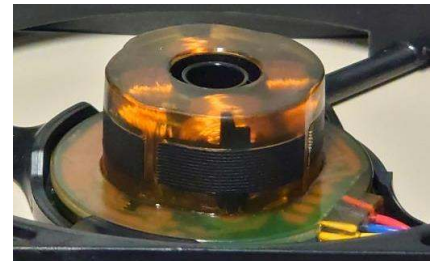


Low Speed Model (1,400~2,150 min⁻¹) High Speed Model (3,000~5,400 min⁻¹)

【IP68】



Dust and Waterproof

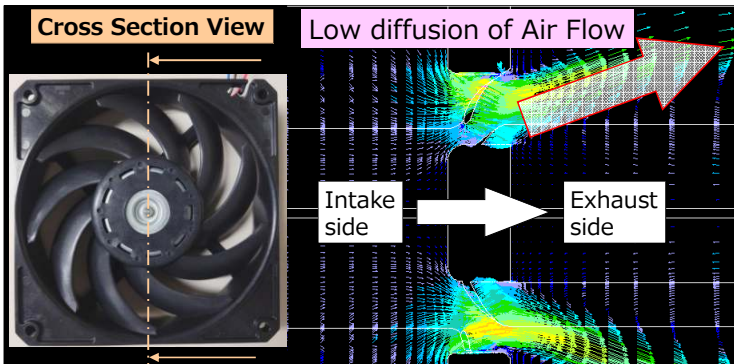


Resin molding

Highest class protection both Dust and Waterproof
→ This fan can be used in harsh environments.

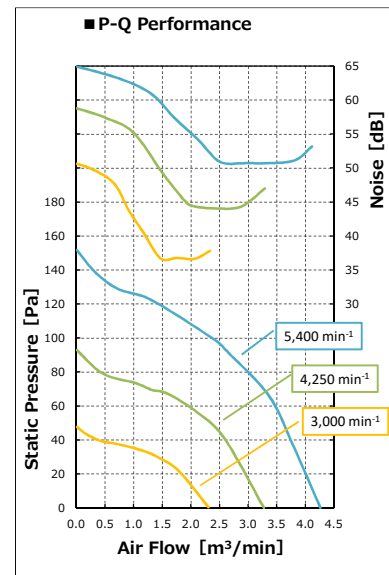
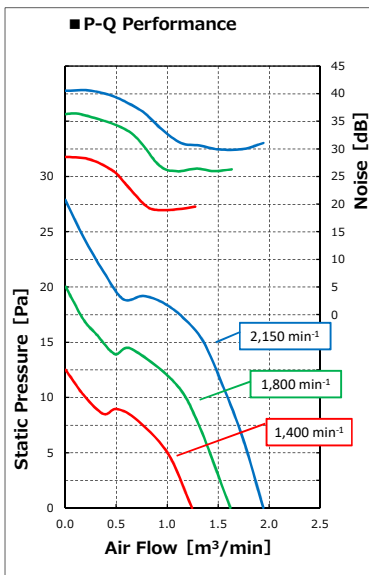
※ Protection class for energized parts is provided in accordance with IEC 60529: 2001. The protection class IPX8 against water conforms to the standards set by Nidec Servo. (The IPX8 rating indicates normal operation after immersion in water for 60 minutes without energization and with the bottom edge at 2 m above the water surface.)

【Low Noise / High Air Flow】



Low Speed Model (1,400~2,150 min⁻¹)

High Speed Model (3,000~5,400 min⁻¹)



17 years since its launch
Pioneer of the forward Blade propeller

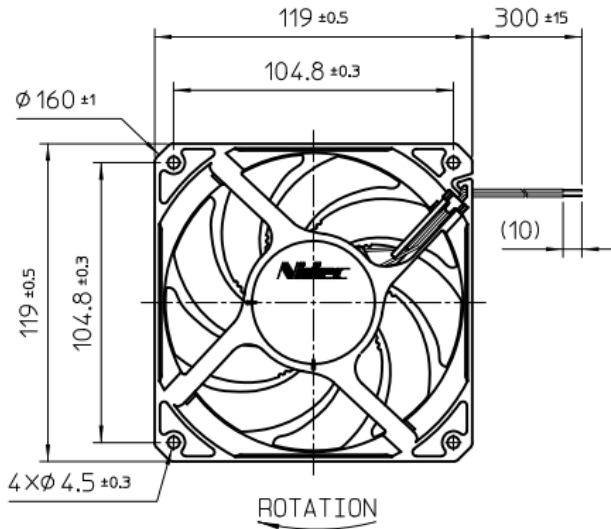
→ High Air Flow
→ Expanded Low Noise Operation Area

※ Registered Patent No.4943817
※ Registered Design No.1292583 and 1373857

[Out Line] [mm]

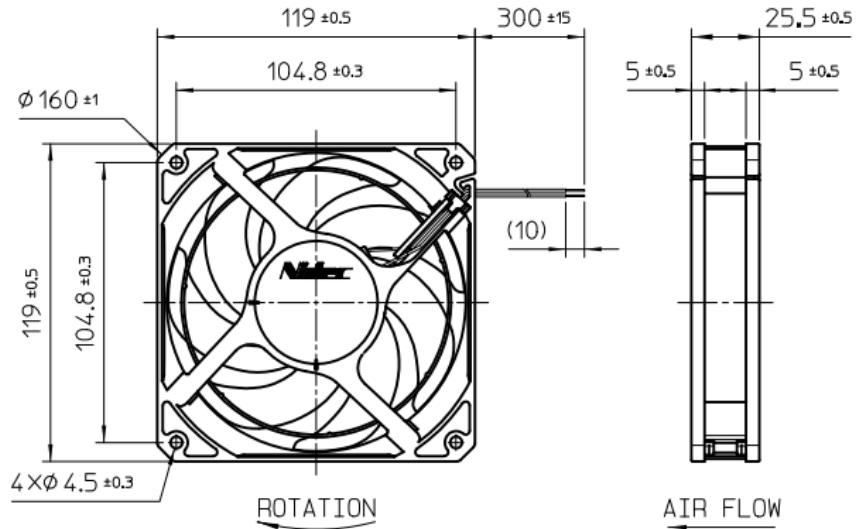
Low Speed Model
(1,400~2,150 min⁻¹)

LEADS UL1007 AWG26
or UL1061 AWG26
RED (+V)
BLACK (GND)



High Speed Model
(3,000~5,400 min⁻¹)

LEADS UL1007 AWG26
or UL1061 AWG26
RED (+V)
BLACK (GND)



[Product Line Up]

Model	Max Air Flow	Max Pressure	Noise	Speed	Rated Voltage	Voltage Range	Rated Current	Start Up Current	Temperature
	[m ³ /min]	[Pa]	[dB]	[min ⁻¹]	[V]	[V]	[mA]	[mA]	[°C]
D1225R12BBMZ-00	4.25	150	50.5	5,400	12	10.2~13.8	1,140	2,690	-20 ~ +60
D1225R24BBMZ-00					24	20.4~26.4	580	1,430	
D1225R12B9MZ-00	3.30	95	44.0	4,250	12	10.2~13.8	560	1,350	
D1225R24B9MZ-00					24	20.4~26.4	350	1,430	
D1225R12B7MZ-00	2.35	49	36.5	3,000	12	10.2~13.8	220	970	
D1225R24B7MZ-00					24	20.4~26.4	140	530	
D1225R12B6MZ-00	1.95	28	30.0	2,150	12	10.2~13.8	123	690	-10 ~ +60
D1225R24B6MZ-00					24	20.4~26.4	100	270	
D1225R12B5MZ-00	1.65	20	26.0	1,850	12	10.2~13.8	83	440	
D1225R24B5MZ-00					24	20.4~26.4	45	220	
D1225R12B4MZ-00	1.30	13	19.0	1,450	12	10.2~13.8	49	250	
D1225R24B4MZ-00					24	20.4~26.4	29	120	

※ Noise values are for low noise zone. Please see the P-Q Performance table for details.
 ※ Noise measurement is based on JIS-C-9603 DC FAN noise test method, with A-range measurement at 1m position in front of the intake side.

※ Please contact us for customization to meet various requirements such as lead length, lead color select, connector processing, additional sensors and PWM controls, etc. Please contact our sales representative or distributor in your area for details.

※ D1225R, which does not support IP, is also available. Please contact our sales department for details.
 ※ The specifications, appearance, etc. shown in this document are under development and are subject to change. The photo are for illustrative purposes only.

NIDEC SERVO CORPORATION

Nidec Tokyo Bldg., 1-20-13 Osaki,
Shinagawa-ku, Tokyo, 141-0032, Japan
Sales Dept TEL +81-3-6779-5800
Mail:info-ns-sales@sales.nidec-servo.com

ALCYON
ÉLECTRONIQUE
commercial@alcyonelectronique.fr

※ Effective April 1, 2023, we will change our company name from "Nidec Servo Corporation" to "Nidec Advanced Motor Corporation".