

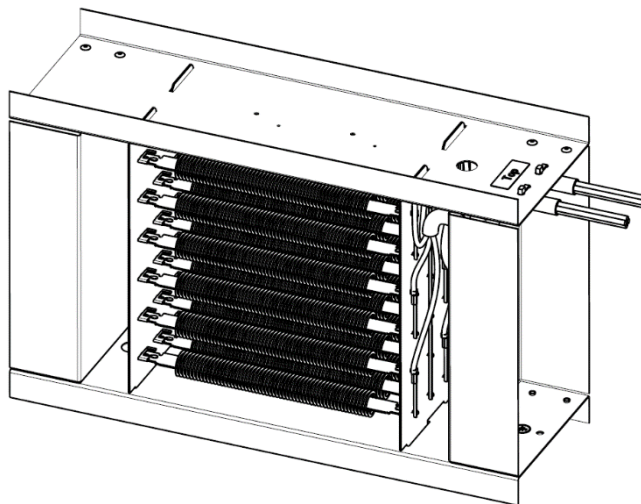
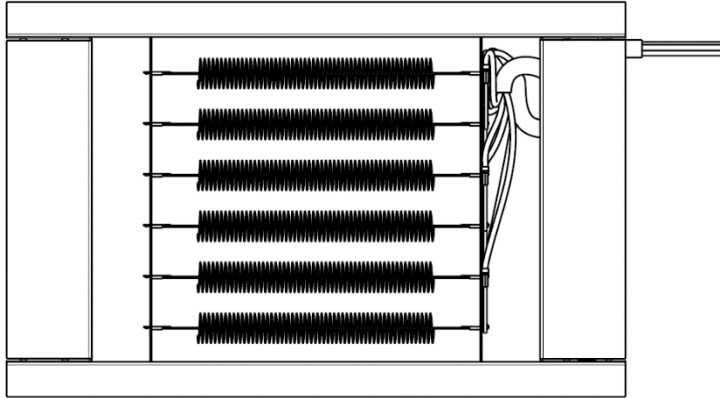
PRODUCT DESCRIPTION

Open coil air heaters are electrical heating systems based on patented wire heating technology for the dynamic heating of large air volumes. They consist of a sheet metal frame with several identical wound heating elements. These are manufactured in a patented process, in which a flat heating conductor is wound upright on a Micanite carrier. This design enables optimum heat transfer to the air flow. Thanks to the large number of wound heating elements, the air heaters can be designed flexibly in terms of dimensions and power output. Open coil air heaters are compact in size for easy and space-saving integration into customer applications. On customer request, they can be equipped with a temperature limiter (automatic or manual reset). For overheat protection, we highly recommend the installation of a temperature fuse in the end application

FEATURES

- Defined heat output due to resistance wire technology
- Power up to 36 kW
- Operating voltage up to 400 V
- Air outlet temperature approx. 100 °C (depending on air volume flow)
- Very dynamic heating behavior
- Compact and lightweight construction
- Including connection wires

DRAWING



APPLICATIONS

- Air heaters for industrial buildings, warehouses, retail and showrooms, office, and administration buildings
- Air heaters for drying systems