



## PS80

### AUTOMATIC RESET PRESSURE SWITCHES

#### Introduction

Safe and reliable automatic reset pressure switch designed to fit to meet a broad spectrum of applications including HVAC&R, pumps and compressors by offering a wide range of pressure settings, port fittings and electrical connections. Its robust non-electric construction safely operates under high pressure conditions helping keep maintenance costs and return rates low.



#### Features and Benefits

- Custom Engineered Solutions
- Hermetically Sealed Sensor
- Environmentally Sealed Leads
- Flexible Set Point Range
- Fixed Set Points
- Single Pole, Single Throw
- Normally Open/Normally Closed
- Historically Proven Reliability

#### Applications

- Air Conditioning (R410a, R22, R134a, R407c CO<sub>2</sub> (R333a), Ammonia (R717))
- Engine Oil
- Compressors & Pumps
- Process Controls
- Automation
- Agricultural & Construction Equipment
- Vehicle Controls



#### TECHNICAL SPECIFICATIONS

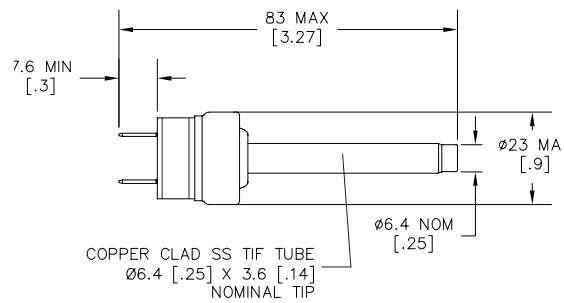
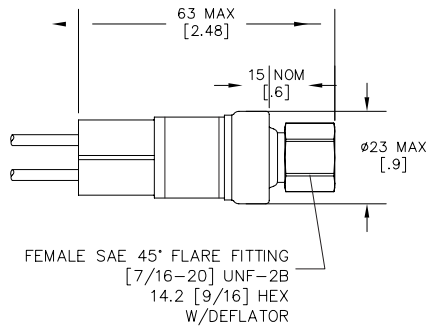
<b>Operating Pressure</b>	0 to 750 psig (50 bar)	
<b>Proof Pressure**</b>	<b>Set Point</b>	<b>Proof Pressure</b>
	<100psig	250psig (17 Bar)
	100-500psig	600psig (41 bar)
	>500psig	800psig (55 bar)
<b>Burst Pressure</b>	5000 psig (345 bar)	
<b>Life at Rated Current</b>	100,000 cycles	
<b>Electrical Ratings</b>	120/240 Vac - 6.0 FLA 36 LRA 120/277 Vac -375 VA Pilot Duty 24Vac - 125 VA Pilot Duty	
<b>Dielectric Strength</b>	750 Vrms Open Contacts 1550 Vrms Terminals to Fitting (Ground)	
<b>Electrical Connection</b>	Wire Lead Quick Connect Contact Factory for additional options	

<b>Ambient Temperature (UL Rating)</b>	-20°F to 176°F / (-29°C to 80°C)
<b>Fluid Temperature (UL Rating)</b>	-65°F to 275°F (-54°C to 135°C)

\*\* The highest pressure a switch can be exposed to without influencing the set-point.  
 Note: Leaded devices can be exposed to moisture not for use while immersed.

## DIMENSIONS

All dimensions in millimeters [inches].  
 (Additional configurations are available. Contact Sensata.)



NOTE: Other port fittings available. contact Marketing

## ORDERING OPTIONS

Example : PS80 - K1 - F00305

**Series Name** ————— **PS80** — **KC** — **Ftpp**

### Connections / Configurations

- K1** = Normally Closed, Leaded
- K2** = Normally Open, Leaded
- K3** = Normally Closed, Quick Connect
- K4** = Normally Open, Quick Connect

### Fitting / Termination / Pressure Range

**F** = Disk Type

- Blank** = Welded Disk
- F** = Free Disk

**f** = Fitting (Pressure Connection)

- 0** = 7/16-20 UNF-2B (Female Flare w/ deflator)
  - 1** = 1/8 - 27 NPTF
  - 3** = Copper Clad SS TIF Tube
- Contact factory for other options

**t** = Termination (Electrical Connection)

- 0** = Quick Connect
  - 2** = 18" wire leads
  - 7** = 48" wire leads
- Contact factory for other options

**pp** = Pressure Range (two digits)

- 20 psi actuation / 5 psi release up to
  - 750 psi actuation / 50 psi release
- Contact factory for other options

## Standard Configurations

Item Number	Configuration	Fitting	Termination	Pressure Setting		
				Release	Actuation	Units
PS80-K1-0336	NC, Leaded	7/16-20 UNF-2B	18" Leads	150 rel	250 act	psig
PS80-K1-0341	NC, Leaded	7/16-20 UNF-2B	18" Leads	200 rel	300 act	psig
PS80-K1-0348	NC, Leaded	7/16-20 UNF-2B	18" Leads	250 rel	350 act	psig
PS80-K1-0359	NC, Leaded	7/16-20 UNF-2B	18" Leads	300 rel	400 act	psig
PS80-K1-0759	NC, Leaded	7/16-20 UNF-2B	48" Leads	300 rel	400 act	psig
PS80-K1-0764	NC, Leaded	7/16-20 UNF-2B	48" Leads	350 rel	450 act	psig
PS80-K2-F0305	NO, Leaded	7/16-20 UNF-2B	18" Leads	5 rel	20 act	psig
PS80-K2-F0307	NO, Leaded	7/16-20 UNF-2B	18" Leads	10 rel	25 act	psig
PS80-K2-F0316	NO, Leaded	7/16-20 UNF-2B	18" Leads	25 rel	50 act	psig
PS80-K2-F0718	NO, Leaded	7/16-20 UNF-2B	48" Leads	36 rel	55 act	psig

## AGENCY APPROVALS AND CERTIFICATIONS



<b>UL</b>	File SA995 Guide SDFY2
<b>UL (Canada)</b>	File SA995 Guide SDFY8
<b>PED EN 12263</b>	Module B&D
<b>ENEC, EN60730</b>	EN60730-1, EN60730-2-6



**RoHS Compliance Available**

## WARNINGS



HAZARD OF ELECTRIC SHOCK, EXPLOSION OR ARC FLASH

- Disconnect all power before installing or working with this equipment
- Verify all connections and replace all covers before turning on power

**Failure to follow these instructions will result in death or serious injury**

**ALCYON**  
ÉLECTRONIQUE  
[commercial@alcyonelectronique.fr](mailto:commercial@alcyonelectronique.fr)

Sensata Technologies, Inc. ("Sensata") data sheets are solely intended to assist designers ("Buyers") who are developing systems that incorporate Sensata products (also referred to herein as "components"). Buyer understands and agrees that Buyer remains responsible for using its independent analysis, evaluation and judgment in designing Buyer's systems and products. Sensata data sheets have been created using standard laboratory conditions and engineering practices. Sensata has not conducted any testing other than that specifically described in the published documentation for a particular data sheet. Sensata may make corrections, enhancements, improvements and other changes to its data sheets or components without notice.

Buyers are authorized to use Sensata data sheets with the Sensata component(s) identified in each particular data sheet. HOWEVER, NO OTHER LICENSE, EXPRESS OR IMPLIED, BY ESTOPPEL OR OTHERWISE TO ANY OTHER SENSATA INTELLECTUAL PROPERTY RIGHT, AND NO LICENSE TO ANY THIRD PARTY TECHNOLOGY OR INTELLECTUAL PROPERTY RIGHT, IS GRANTED HEREIN. SENSATA DATA SHEETS ARE PROVIDED "AS IS". SENSATA MAKES NO WARRANTIES OR REPRESENTATIONS WITH REGARD TO THE DATA SHEETS OR USE OF THE DATA SHEETS, EXPRESS, IMPLIED OR STATUTORY, INCLUDING ACCURACY OR COMPLETENESS. SENSATA DISCLAIMS ANY WARRANTY OF TITLE AND ANY IMPLIED WARRANTIES OF MERCHANTABILITY, FITNESS FOR A PARTICULAR PURPOSE, QUIET ENJOYMENT, QUIET POSSESSION, AND NON-INFRINGEMENT OF ANY THIRD PARTY INTELLECTUAL PROPERTY RIGHTS WITH REGARD TO SENSATA DATA SHEETS OR USE THEREOF.

All products are sold subject to Sensata's terms and conditions of sale supplied at [www.sensata.com](http://www.sensata.com) SENSATA ASSUMES NO LIABILITY FOR APPLICATIONS ASSISTANCE OR THE DESIGN OF BUYERS' PRODUCTS. BUYER ACKNOWLEDGES AND AGREES THAT IT IS SOLELY RESPONSIBLE FOR COMPLIANCE WITH ALL LEGAL, REGULATORY AND SAFETY-RELATED REQUIREMENTS CONCERNING ITS PRODUCTS, AND ANY USE OF SENSATA COMPONENTS IN ITS APPLICATIONS, NOTWITHSTANDING ANY APPLICATIONS-RELATED INFORMATION OR SUPPORT THAT MAY BE PROVIDED BY SENSATA.

Mailing Address: Sensata Technologies, Inc., 529 Pleasant Street, Attleboro, MA 02703, USA.

## CONTACT US

### Americas

+1 (800) 350 2727

[sensors@sensata.com](mailto:sensors@sensata.com)

[switches@sensata.com](mailto:switches@sensata.com)

### Europe, Middle East & Africa

+359 (2) 809 1826

[pressure-info.eu@sensata.com](mailto:pressure-info.eu@sensata.com)

### Asia Pacific

[sales.isasia@list.sensata.com](mailto:sales.isasia@list.sensata.com)

China +86 (21) 2306 1500

Japan +81 (45) 277 7117

Korea +82 (31) 601 2004

India +91 (80) 67920890

Rest of Asia +886 (2) 27602006

ext 2808