

6450 Pneumatic Hand Control



Technology Ltd

- Large soft buttons
- Ergonomic design for comfort
- Light operating force
- Choice of curly or straight tubing
- Various colour & ident options
- Inherently waterproof
- For use with 6871 & 6872 airswitches

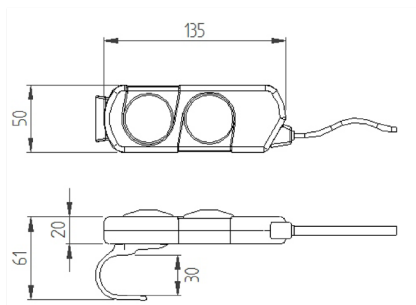


Maximum depression time 30 seconds, for applications requiring a greater period please contact sales to discuss further.

General Specifications

Standards/ approvals	n/a	Operating temperature range	-5°C to +40°C with temperature compensated airswitches
Degree of protection	n/a	Body material	Thermoplastic
Connection method	1.5mm I/D tube for use with airswitches with 2mm spouts	Weight	135 g approx.
Electrical rating	n/a	Additional information	Various attachment methods and labels available
Contact configuration	n/a		
Pressure range	n/a		

Reference Dimensions in mm



Ordering and options

