

6438 Mini Push Button

- Compact size
- Choice of button/escutcheon materials & colours
- Low profile above surface
- Choice of tube options
- Large air volume for longer tube lengths

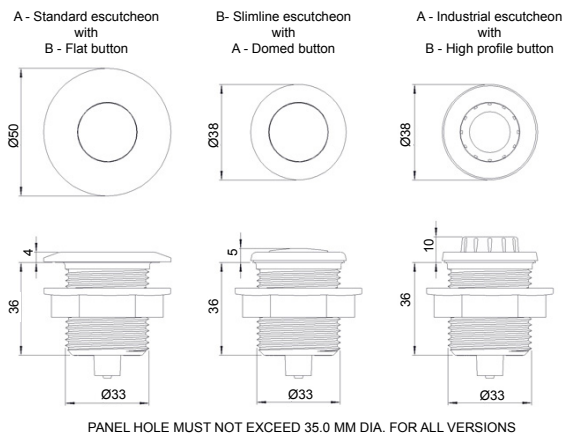


Maximum depression time 30 seconds, for applications requiring a greater period please contact sales to discuss further.

General Specifications

Standards/ approvals	n/a	Operating temperature range	-10° C to +40° C
Connection method	Via back entry spout, Ø4mm or Ø2mm	Body material	Thermoplastic
Electrical rating	n/a	Weight	Plastic – 0.03Kg
Contact configuration	n/a	Additional information	A longer threaded body version to suit up to 50mm panels is available upon request
Pressure range	Compatible with 6871, 6872, 6773, 6753, 6891, 6893, 6861, 6862, 6863, 6864, 6869 – dependent on tube length		

Reference dimensions in mm



Ordering and options

Stock models : 6438-ACAC-AB00
6438-ABAB-AB00

6438 - [] [] [] [] - [] [] [0] [0]

Model

Escutcheon type -

- A Standard
- B Slimline
- C Industrial
- Z No escutcheon required

Escutcheon finish -

- | | |
|-------------------|-----------------|
| A White | D Gold |
| B Brilliant white | F Black |
| C Chrome | Z None supplied |

Button type -

- A Domed
- B Flat with textured finish
- C High profile
- Z None supplied

Button finish -

- | | |
|-------------------|-----------------|
| A White | D Gold |
| B Brilliant white | F Black |
| C Chrome | Z None supplied |

Bellows type & spout diameter

- A Silicone bellows Ø4 mm
- B Silicone bellows Ø2 mm
- C Standard bellows Ø4 mm
- D Standard bellows Ø2 mm

Nut & washer option

- A Supplied with nut only
- B Supplied with nut & washer
- Z No nut & washer required

ALCYON
ÉLECTRONIQUE
commercial@alcyonelectronique.fr