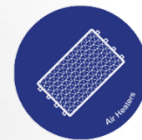


PTC Duct Heater – DN125 | DN160

with fixed power levels



PTC Duct Heater with fixed power levels	DN125 18/22 NC	DN125 26/22 NC
Power level P1 (W)	350	350
Power level P2 (W)	750	750
Power level P3 (W)	850	1200
Differential pressure at 20 °C & 150 m³/h (Pa)	25	36
Inrush current (A)	8 (P3)	12 (P3)
Rated voltage (VAC)	230	
Connection diameter (mm)	DN125 (Female)	
Outside dimensions (H x W x D) (mm)	232 x 152 x 165	
Weight (kg)	1,5	
Temperature limiter	$T_{Open} = 60\text{ °C} \pm 5\text{ K};$ $T_{Reset} = 30\text{ °C} \pm 15\text{ K}$	



FEATURES

- Power up to 1,2kW
- Connectable at 3 power levels via terminal block
- Integrated temperature limiter can be connected optionally
- High safety and energy efficiency thanks to the PTC effect
- Electrically insulated, encapsulated heating elements
- Available in the standard diameters DN125, DN160 (coming soon)
- Terminal block and heating element integrated in plastic housing

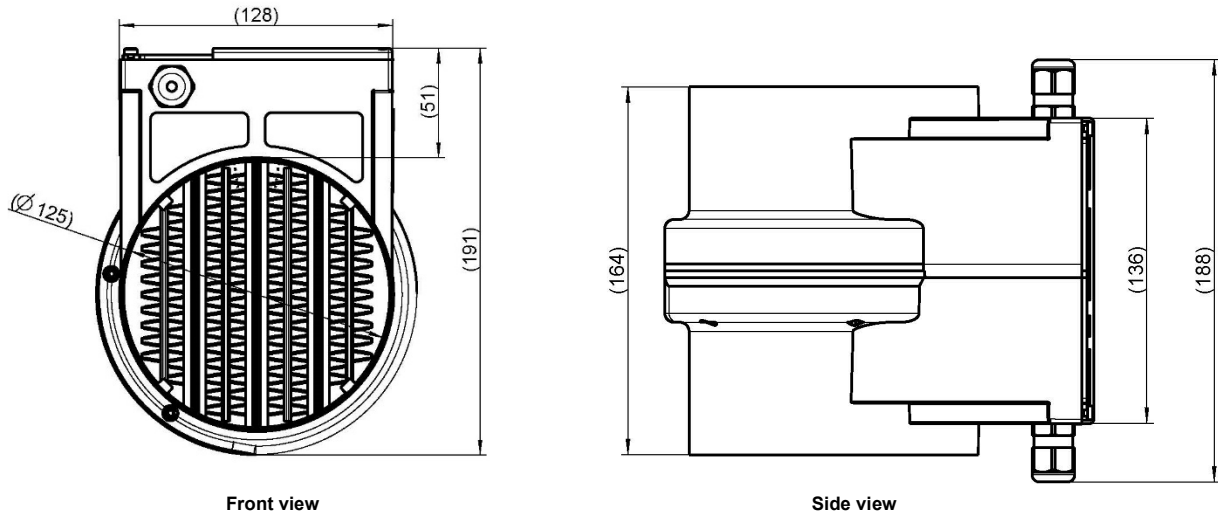
ALCYON
ÉLECTRONIQUE
commercial@alcyonelectronique.fr

PTC Duct Heater – DN125 | DN160

with fixed power levels



DRAWING



APPLICATIONS

- Duct heaters for ventilation ducts in HVAC systems
- Insulated PTC Air Heaters with delta-shaped fins are perfectly suited as pre-heating or post-heating units for centralized and decentralized ventilation systems with heat recovery