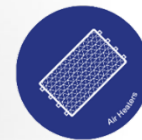


PTC Duct Heater – DN125 | DN160

with power control



PTC Duct Heater with power control	DN125 18/22	DN125 26/22
Heating capacity (W)	850	1200
Rated voltage (VAC)	230	230
Differential pressure at 20°C & 150 m³/h (Pa)	25	36
Inrush current (A)	7	9
Standby power (W)	0,5	
Analog control signal (VDC)	0 – 10	
PWM control signal (VDC)	10	
Error signal relay	Normally-open; max. 230V AC; 30V DC; 2A (AC/DC)	
Connection diameter (mm)	DN125 (Female)	
Outside dimensions (H x W x D) (mm)	232 x 152 x 165	
Weight (kg)	1,5	
Temperature limiter	$T_{Open} = 60\text{ °C} \pm 5\text{ K};$ $T_{Reset} = 30\text{ °C} \pm 15\text{ K}$	



FEATURES

- Power up to 1,2kW
- Low standby power of 0,5W
- Power control via analog or PWM signal
- High safety and energy efficiency thanks to the PTC effect
- Electrically insulated, encapsulated heating elements
- Available in the standard diameters DN125, DN160 (coming soon)
- Electronics and heating element integrated in plastic housing

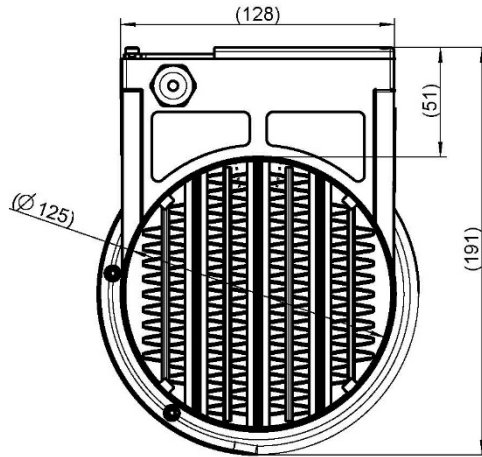
ALCYON
ÉLECTRONIQUE
commercial@alcyonelectronique.fr

PTC Duct Heater – DN125 | DN160

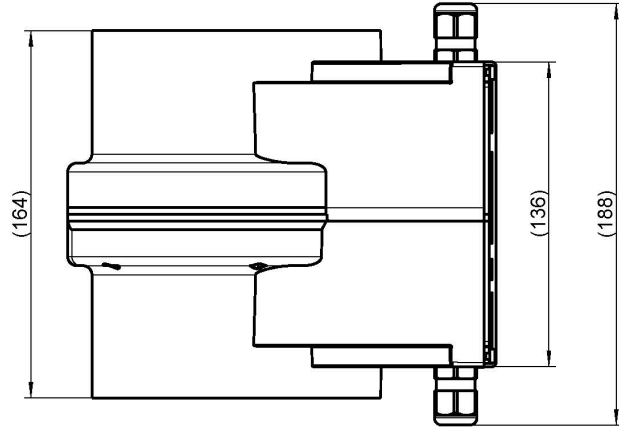
with power control



DRAWING



Front view



Side view

APPLICATIONS

- Duct heaters for ventilation ducts in HVAC systems
- Insulated PTC Air Heaters with delta-shaped fins are perfectly suited as pre-heating or post-heating units for centralized and decentralized ventilation systems with heat recovery