



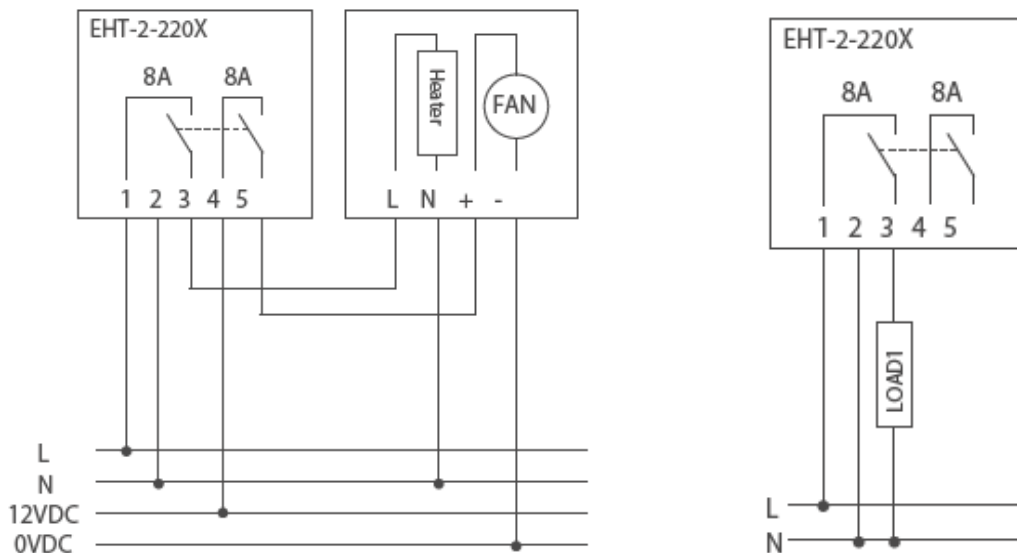
Electronic Hygrostat	EHT
Operating Voltage (Vac / Hz)	220-240 / 50/60
Sensor	Electronic
Switching Current Dehumidification   240 VAC Resistive Load (A)	8
Switching Current Humidification   240 VAC Resistive Load (A)	8
Contact	2 NO (Dehumidifying, Default) or 2 NC (Humidifying, selectable)
Setting Range (% RH)	15-90
Switching Differential (% RH)	approx. 5
Protection Rating	IP 20
Protection Class	0 (Must be guaranteed by installation location)
Connection Type (mm <sup>2</sup> )	Screw Terminals 0.5 - 2.5
Mounting Type	DIN Rail (35 mm)
Ambient Temperature (°C)	-20 to +70
Housing	Plastic grey (RAL 7035)
Weight (g)	approx. 70
Dimensions (mm)	62 x 65 x 34



## FEATURES

- Electronic Hygrostat for humidity control in enclosures and electrical cabinets
- Can be operated in a voltage range of 220 - 240V AC
- Setting in 5% RH intervals
- Two-color LED status display: operation mode / error
- Frost protection activation at 4°C (default)
- Can work in either NC (Humidifying) or NO mode (Dehumidifying)

## DRAWING



Circuit diagram EHT