

# Insulated PTC Air Heaters (HRP)

230V Version without Frame



Insulated PTC Air Heaters without frame	HRP S	HRP M	HRP L	HRP S	HRP M	HRP L
Fin shape	Delta			V		
Rated voltage (V)	230			230		
Heating capacity 230V at 20°C & 300m³/h (W)	790	1230	1550	1110	2000	2570
Inrush current at 230V (A)	7	14	18	6	12	19
Differential pressure at 20°C, 200m³/h (Pa)	56	26	16	237	127	72
Length (L1) of heater (mm)	99,6	153,6	210	99,6	153,6	210
Width (mm)	116			116		
Heating circuits	6			6		
Standard wire length (mm)	170			170		

# Insulated PTC Air Heaters (HRP)

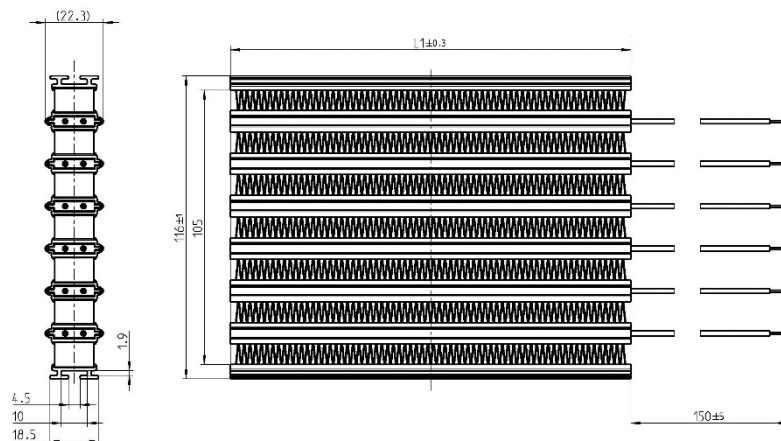


230V Version without Frame

## FEATURES

- Electrically insulated PTC finned resistor heaters with high resistance to moisture and dirt for homogeneous heating of air flows
- Power up to 3kW per heating element
- Suitable for a voltage of 230V AC or DC
- Power control of heating element is possible via PWM (please read user instructions)
- Other voltages available (115V, 400 - 600V)
- Special voltages on request (e.g., 48V, 80V if validated in customer's application)
- High safety and energy efficiency thanks to PTC effect
- Electrically insulated, encapsulated heating elements
- T-slot end rail (4.5mm)
- Homogeneous load at three-phase connection
- Available in standard sizes S, M, L - with V or Delta-fin
- Optional: mounting slider with screw points, encapsulated temperature limiter (signal transmitter only)

## DRAWING



HRP without housing – side view & front view

## APPLICATIONS

- Pre- or post-heater for building climatization and ventilation systems with heat recovery (low energy houses)
- Heater for railway applications
- *These products are based on a modular system and are suitable for a wide range of applications. Please always consult with our sales team to discuss your specific application - we are happy to assist!*

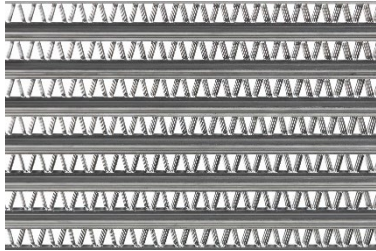
**ALCYON**  
ÉLECTRONIQUE  
[commercial@alcyonelectronique.fr](mailto:commercial@alcyonelectronique.fr)

# Insulated PTC Air Heaters (HRP)

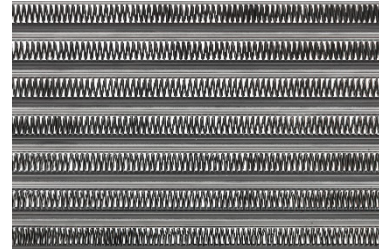
230V Version without Frame



## FIN SHAPES

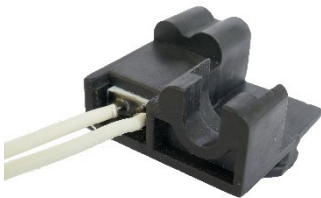


Delta-shaped fin



V-shaped fin

## ACCESSORIES



Mounting slider with temperature limiter

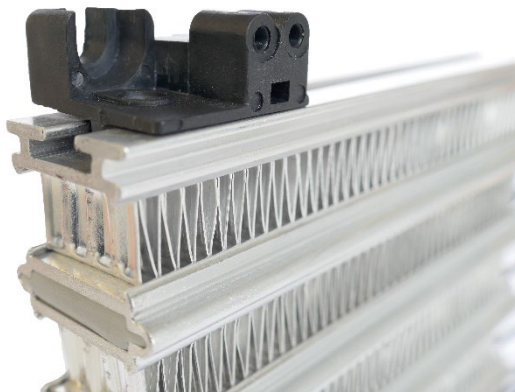


Mounting slider



Temperature limiter, encapsulated (signal transmitter only)

## INSTALLATION OPTIONS



Mounting slider with screw points



Individual mounting via T-slot rail 4.5mm

**ALCYON**  
ÉLECTRONIQUE  
[commercial@alcyonelectronique.fr](mailto:commercial@alcyonelectronique.fr)