



**ROCHESTER
GAUGES, INC.**

Refrigerant Gauges

**HM8443
Series**

ISO 9001:2008 CERTIFIED

Application

HM8443 series side mounted refrigerant level gauges are equipped with proportional voltage output or voltage output TwinSite® sender capsules with ranges of 1-2 volts, 1-6 volts or 0.5 to 4.5 volts output Hall Effect. They interface with various microprocessor based controllers now being used in commercial/supermarket applications for continuous, repeatable measurement of refrigerant levels and rates of loss.

General Information & Features

These gauges feature a 4-bolt brass head with integral mounting pads to accommodate the attachment of an electrical junction box. The junction boxes furnished with these gauges are not watertight and it is recommended that the connections inside boxes be made using waterproof connectors for rooftop and other outdoor service applications.

These gauges are typically furnished with neoprene gaskets which are compatible with several commonly used refrigerants and lubricants. Other gasket materials may be available.

The dials furnished with these gauges are magnetically driven. This means that the dials may be removed and replaced by removing two #6-32 screws and without disturbing the four gauge mounting bolts and releasing receiver contents.

The dials on gauges originally equipped with direct read or direct read plus voltage output are typically interchangeable. In other words, a 1-2 volt output dial could be replaced with a 0.5 to 4.5 volt Hall Effect dial by removing only two #6-32 screws.

Hall Effect dials with 0.5 to 4.5 volt output introduce previously unavailable levels of noise free reliability and longevity. All dials with direct read only and direct read with voltage output are for use in both indoor and outdoor locations.



Refrigerant Gauges

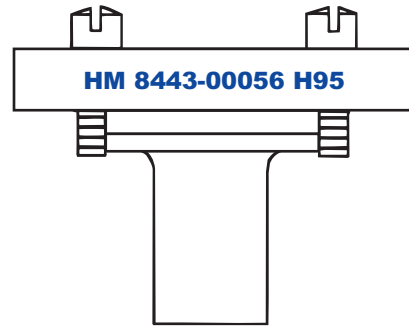
03/10/2015

See reverse side for dimensional data, materials of construction, performance, and advice on how to order.

The Measure of Excellence

HM8443 Series Refrigerant Gauges

Model #	Output	Tank Depth
HM8443-00056	1-6 Volt	10"
HM8443-00057		12"
HM8443-00058		14"
HM8443-00053	1-2 Volt	10"
HM8443-00054		12"
HM8443-00055		14"



Typical gauge head, minus TwinSite® sender, showing part number and date code stamped on flats.

General Specifications*

Temperatures

Standard range is -40°F to 158°F, -40°C to 70°C.

Mounting

Rochester Senior® adapter (typically part # 0022-05200).

Voltage Input

24 VDC maximum.

Working Pressure

450 psig [31 Bar].

Approvals

UL recognized refrigeration component.

When ordering, specify:

1. Complete part number of gauge required (see above).
2. For replacement gauges, information stamped on the gauge head (see example above).
3. Part number of gasket desired.

Note: For installation instructions see MS-501/502.

Materials of Construction*

Head

Brass forging

Junction Boxes & Covers

Plated steel

Centershaft, Centershaft Bearings, Pinion & Sector Gears, Cross Stud & Bearing

Stainless steel

Gear Housing

Brass forging

Support

Brass

Float Rod

Tempered aluminum

Float Bulb

One-piece aluminum

Magnet

Alnico

TwinSite® Sender

Polycarbonate, ultrasonically welded and hermetically sealed.

Mounting Bolts & Dial Screws

Stainless steel

Gasket

Choice of:	Neoprene	0015-00836 (standard)
	Buna-N	0015-00004 (optional)
	Viton	0015-00415 (optional)

* Materials and specifications are subject to change without notice.
Pressure ratings subject to change due to temperature and other environmental considerations.

03/10/2015