



## Adjustable Liquid-Level Gauge

### Application

Measures gasoline or diesel fuel levels in tanks on trucks, boats, generators, recreational vehicles, and other applications.

### General Information & Features

These top mounting magnetic liquid-level gauges are built to the high standards of all Rochester designed instruments. The construction permits the replacement of dials when necessary without releasing fumes or liquid to the atmosphere.

Both available dials are fractional and silicone-dampened, and are easily replaced by removing and re-installing two screws. Rochester's rugged gear drive incorporates shrouded, stainless-steel, beveled gears designed to work out any loose particles that might affect gear function. Sealing between the gauge and the tank is achieved through the use of the 0015-00423 Buna-N gasket.

Adjustable liquid-level gauges are designed for top mounting only. These gauges are equipped with 20.5" [520mm] long float arms which can be cut to fit tank dimensions. Data sheet DS-337 furnishes proper cut lengths and instructions on how to install the float and crimp in place.

Model #	Magnet	Available Dials
6741	Large Alnico	Direct-reading dial or TwinSite® sender. Choice of 0-90, 240-30 Ohms.
6781	Small Alnico	Direct-reading dial only

### Model Selection Chart

Model #	Dial Used	Gasket Used
6741-00183	Not Furnished	0015-00423
6741-00290	P5744S02541	Not furnished
6741-00333		
6781-00248	5323S01834	0015-00423

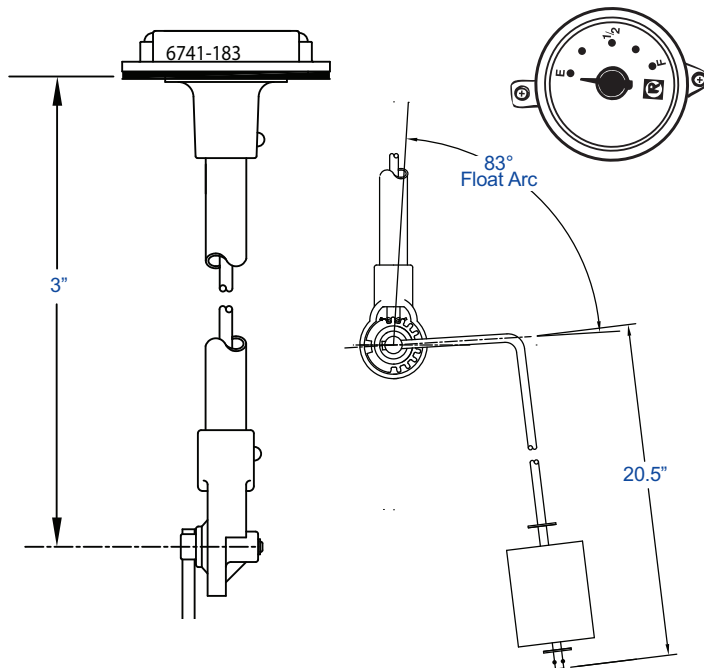


Tank Depth in Inches	Distance From Float Bend to Float Rod Cut-off point
6	3"
7	3 3/4"
8	4 5/8"
9	5 5/8"
10	6 5/8"
11	7 5/8"
12	8 5/8"
13	9 3/4"
14	10 3/4"
15	11 3/4"
16	12 3/4"
17	13 3/4"
18	14 7/8"
19	15 7/8"
20	16 7/8"
21	17 7/8"

Tank Depth in Inches	Distance From Float Bend to Float Rod Cut-off point
22	18 7/8"
23	20"
24	21"
25	22"
26	23"
27	24"
28	25 1/8"
29	26 1/8"
30	27 1/8"
31	28 1/8"
32	29 1/8"
33	30 1/4"
34	31 1/4"
35	32 1/4"
36	33 1/4"

\* Materials and specifications are subject to change without notice.  
Pressure ratings subject to change due to temperature and other environmental considerations.

See reverse side for dimensional data, materials of construction, performance, and advice on how to order.

**Direct reading gauge with 5323S01834 dial****General Specifications\*****Mounting**

Recommended for top-mounting only.

**Accuracy**

Accuracy depends upon proper gauge sizing. Junior dials  $\pm 7\%$ , TwinSite® dials  $\pm 12\%$ . Accuracy may be less depending upon tank shape. Accuracy may be less near full and empty. Accuracy may be less if tank is not level. This gauge is not to be used for filling. All accuracy estimates are expressed as a percent of full scale.

**Temperature Range**

Standard range is  $-40^{\circ}\text{F}$  to  $158^{\circ}\text{F}$ ,  $-40^{\circ}\text{C}$  to  $70^{\circ}\text{C}$ .

**Humidity**

For high humidity and marine applications, painting of gauge, less dial, is recommended.

**Shock**

Suitable for mobile applications.

**Vibration**

Suitable for mobile applications.

**Power**

0.5 watts maximum for TwinSite® versions.

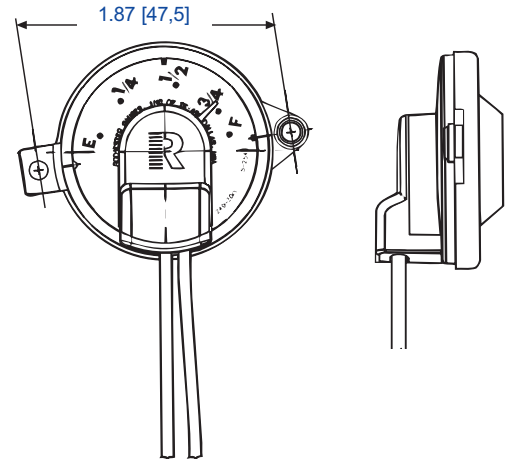
**Tank Pressure**

0 to 10 psig [0 to 0,68 Bar]

**Approvals**

Some models are UL recognized for marine service. Some models are UL listed for flammable fluids. Passes BIA fire test.

Note: For installation instructions see MS-532.

**TwinSite® Dial, 0-90 ohms & 240-30 ohms**

Part #	Description	Ohms
P5636S02541	Wire Leads	240-30
P5744S02541	.250 Male Tab	
P5872S02684	Wire Leads	0-90

**Materials of Construction\*****Head**

Diecast aluminum with standard SAE gasoline gauge flange ( $2\frac{1}{8}$ " [54 mm] bolt circle for five #10 screws not furnished).

**Centershaft, Support Tube & Float Rod**

Tempered aluminum

**Gears, Cross Stud & Bearings**

Stainless steel

**Drive Magnet**

Alnico

**Gear Housing**

Acetal plastic or aluminum

**Float**

Nitrile rubber

**Gasket**

Buna-N, 0015-00423

**Direct-Reading Dial**

Hermetically sealed polycarbonate

**TwinSite® Sender**

Polyamide

**When ordering, specify:**

1. Gauge model number.
2. Tank depth.
3. Float orientation, 3 o'clock standard.
4. Details of any optional features.

\* Materials and specifications are subject to change without notice.  
Pressure ratings subject to change due to temperature and other environmental considerations.

09/11/2017