

Euro XPK Puck Type Programmable Sensor



- Puck and magnet design
- Hall Effect non-contacting technology
- Long life - extremely robust
- Programmable angles from 30° up to 360°
- IP68 protection
- Redundant output



Based on the well proven 28 mm diameter Euro-XP angle sensor, the puck option is a two piece design with a separate magnet. With redundant output this compact and fully non-contacting Hall Effect sensor features IP68 sealing and will suit arduous high-duty cycle position feedback applications.



Specifications

Mechanical	
Typical Life Cycle	In excess of 100 million cycles
Measuring range	360° redundant, signal 1 cw, signal 2 ccw
Housing	High grade temperature resistant plastic
Environmental	
Operating temperature	-40° C to +125° C (Short term 150° C)
Vibration	5...2000 Hz; Amax = 0.75 mm; amax = 20g to IEC 60068-2-6
IP rating	IP68 (minimum)

Electrical	
Supply Voltage	5V +/- 0.5V
Output signal	Ratiometric 5%...95% of supply (+/-25mv of specified electrical output range for both start & end voltage)
Independant linearity	+/- 0.5% of each signal range
Sample Rate (Fast Mode)	5 kHz
System Propagation Delay (Fast Mode)	600 µs
Isolation resistance	200 MΩ (500 VDC, 1 bar, 2s)
Electrical connection	See ordering code/wiring diagram
Cable type	Raychem Spec 55, 24 AWG; Sleeving - Raychem DR25

Ordering information

(Please use the characters in the chart below to construct your product code)

Standard Model: 93753-Euro-XPk-2838-836-214-911-00

Sample Code: **Euro-XPk - 2838 - 8xx - 214 - 911 - 00***

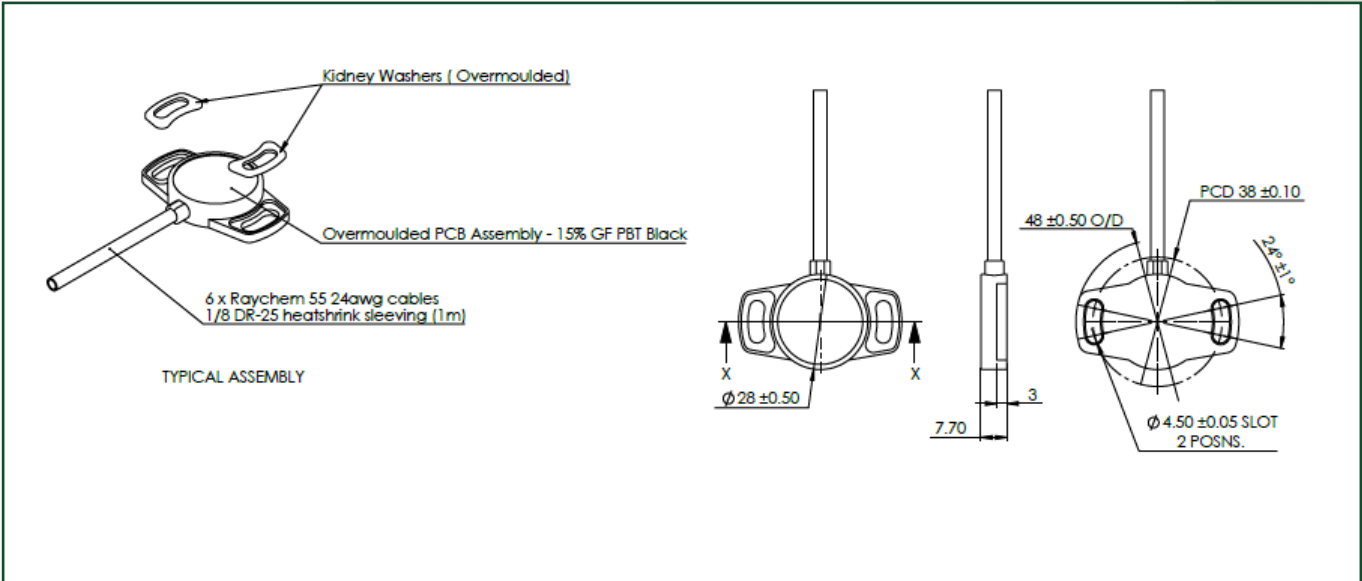
Series	Mechanical version	Electrical Angle	Supply voltage Ub	Interface parameters	Output characteristics	Electrical Connection Cable Length	Magnet choice
Euro-XPk	38 - Seperate puck and magnet design	36 = Standard electrical angle 360° xx = Optional angle - from 30° to 360° in 10° steps (eg. 08 = 80°)	2 = Ub = 5 VDC	1 = 5...95% ratiometric to supply voltage Ub (0.25...4.75 VDC) 2 = 10...90% ratiometric to supply voltage Ub (0.5...4.5 VDC)	1: Rising characteristic cw 2: Rising characteristics ccw 4: Crossed outputs, channel 1 rising cw Other output characteristics on request	911 = Raychem Spec 55, 24 AWG; Sleeving - Raychem DR25 XL ETFE: Ø = 0.94mm; 0.24 mm²; L = 500 mm (+/- 10mm)	00 = no magnet 01 = Small Magnet 02 = Screw Magnet 03 = Large Magnet 04 = Plug Magnet

Note* - Magnet options 01, 02, 03 or 04 are selected in the ordering code and a single magnet is included. Additional or alternative magnets can be ordered separately as spare parts using the following codes:
 93816 - XPK Small Magnet-01
 93817 - XPK M10 Magnet-02
 93818 - XPK Large Magnet-03
 94031 - XPK Plug Magnet-04
 Un-housed magnets do not have polarity marked but can be marked if requested
 Custom magnet housings are available

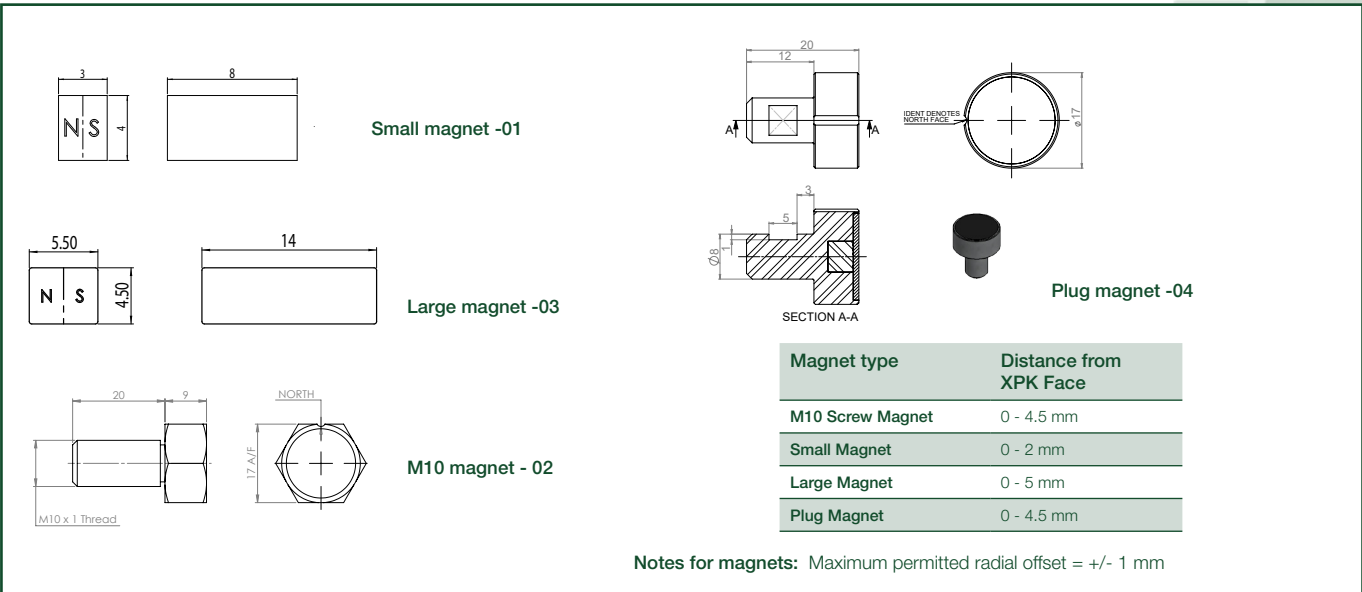
Custom options available on request



Euro XPK - dimensions in mm



Magnet options - dimensions in mm



Wiring and orientation

